

SHORT-STROKE LINEAR POTENTIOMETERS FOR DISPLACEMENT MEASUREMENT

25 to 150 mm
(1 to 6") Ranges

LP802 Series

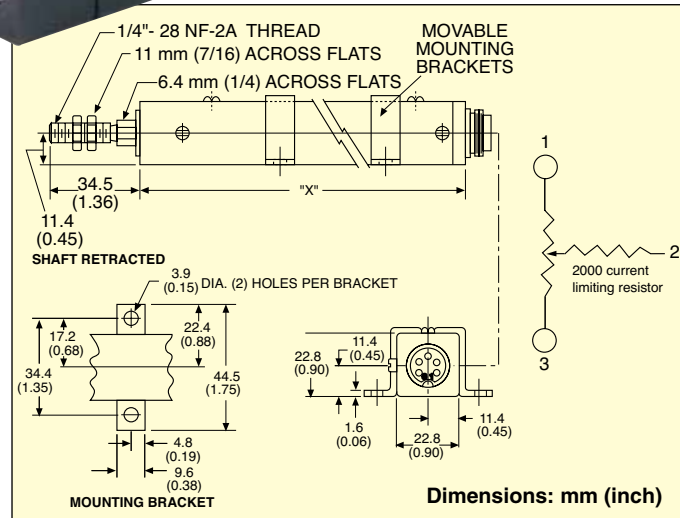


DP41-E, meter, visit omega.com/dp41

LP802-25, shown smaller than actual size.

- ✓ Rugged Construction and Shaft Seals for Protection in Factory Environments
- ✓ Precious-Metal Wipers Ensure High Performance and Low Noise
- ✓ Plastic Film Element Reduces Wear for Extremely Long Life

The OMEGA® LP802 Series linear potentiometers measure linear position or displacement up to 150 mm (6") in a wide variety of manufacturing and process applications. With their long life, front and rear bearings, anodized extruded aluminum housings, stainless steel shafts, and precious-metal wipers and contacts, these devices are suitable for harsh factory environments. Based on a conductive plastic film element, the LP802 provides high resolution and absolute position measurement without using external signal conditioners.



SPECIFICATIONS

Linearity: $\pm 1\%$ FS

Hysteresis: ± 0.025 mm (0.001")

Repeatability: ± 0.012 mm (0.0005")

Incremental Sensitivity: 0.00127 mm (0.00005")

Power Rating: 0.75 W/stroke inch

Temperature Range: -65 to 105°C (-85 to 221°F)

Operating Force: 450 g (1 lb) maximum

Shaft: 6 mm (0.236") diameter with 1/4-28 threaded-end adaptor

Life: 100 million operations minimum at travel rate of 250 mm (10")/s

Weight: 0.11 to 0.23 kg (0.25 to 0.5 lb)

To Order Visit omega.com/lp802 for Pricing and Details

MODEL NO.	ELECTRICAL TRAVEL		MECHANICAL TRAVEL		"X" DIMENSION (NOMINAL)		RESISTANCE (Ω)	COMPATIBLE METERS
	mm	inch	mm	inch	mm	inch		
LP802-25	25.00	1.00	30.5	1.20	103.0	4.05	1500 $\pm 20\%$	DP25B-E, DP41-E
LP802-50	50.00	2.00	55.9	2.20	128.0	5.05	3000 $\pm 20\%$	DP25B-E, DP41-E
LP802-75	75.00	3.00	80.0	3.15	151.0	5.95	4500 $\pm 20\%$	DP25B-E, DP41-E
LP802-100	100.0	4.00	105.4	4.15	176.0	6.95	6000 $\pm 20\%$	DP25B-E, DP41-E
LP802-150	150.0	5.96	156.2	6.15	227.0	8.95	9000 $\pm 20\%$	DP25B-E, DP41-E

Comes complete with operator's manual.

Ordering Example: LP802-25, linear potentiometer with 25 mm (1") stroke.