

# MINIATURE LINEAR DISPLACEMENT POTENTIOMETERS

12 to 150 mm  
(0.5 to 6") Ranges

## LP804 Series

- ✓ Rugged, Vibration Resistant
- ✓ Unique Conductive Film for Excellent Resolution



LP804-02, shown actual size.

LP804-01, shown actual size.

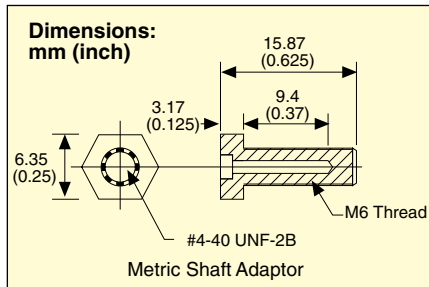
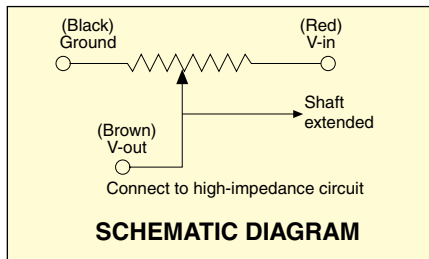
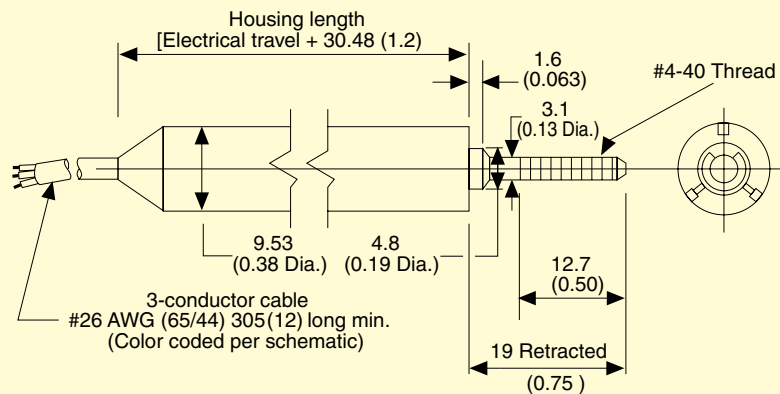


DP41-E meter, shown smaller than actual size. Visit [omega.com/dp41](http://omega.com/dp41)

### SPECIFICATIONS

**Resistance:** 1500  $\Omega$ /in  $\pm 20\%$   
**Power Rating:** 0.20 W/in  
**Linearity:** 1% FS  
**Repeatability:** 0.0127 mm (0.0005")  
**Resolution:** 0.00127 mm (0.00005")  
**Operating Temperature:** -40 to 80°C (-40 to 176°F)  
**Wiper Current:** <1  $\mu$ A  
**Starting Force:** 28 g (1 oz) max  
**Mechanical Travel:** Range + 1.27 mm (0.05") minimum  
**Life:** 1 billion operations @ 300 mm (12")/s 1.8 m (70")/s max, decreases life  
**Construction:** Anodized cast aluminum (shaft, stainless steel)

### Dimensions: mm (inch)



**To Order Visit [omega.com/lp804](http://omega.com/lp804) for Pricing and Details**

MODEL NO.	RANGE mm (inch)	WEIGHT g (oz)	COMPATIBLE METER
LP804-1/2	12 (0.5)	11 (0.4)	DP41-E
LP804-01	25 (1)	14 (0.5)	DP41-E
LP804-02	51 (2)	20 (0.7)	DP41-E
LP804-03	76 (3)	23 (0.8)	DP41-E
LP804-04	102 (4)	28 (1.0)	DP41-E
LP804-05	127 (5)	31 (1.1)	DP41-E
LP804-06	152 (6)	31 (1.1)	DP41-E

### ACCESSORIES

MODEL NO.	DESCRIPTION
LP803-AD	Metric adaptor, 4-40 female/M6 male
TX4-100	30 m (100'), 4-conductor shielded wire

**Ordering Example:** LP804-1/2, miniature potentiometer with a range of 12 mm (0.5").