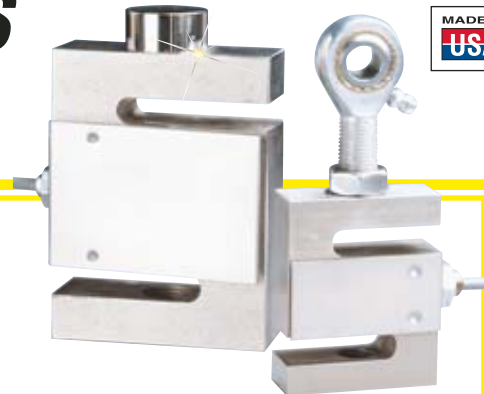


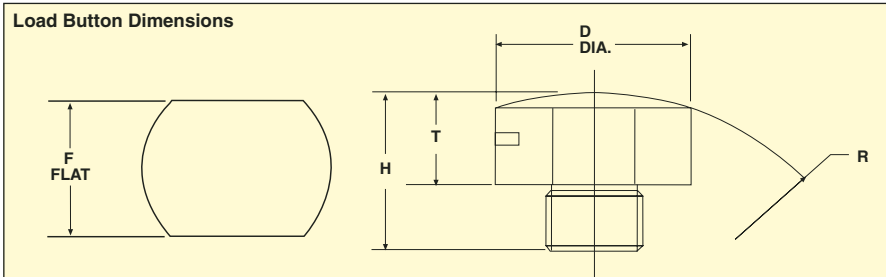
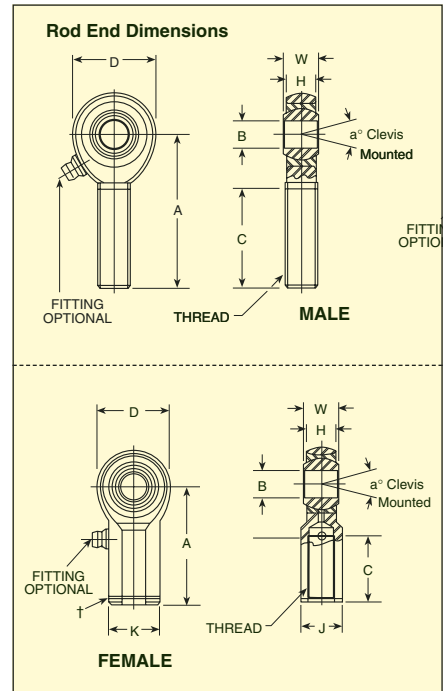
OPTIONS AND ACCESSORIES

LOAD BUTTONS AND ROD ENDS

FOR METRIC LOAD CELLS



Load Buttons (Specify Model Number)		Dimensions: mm (in)					
MODEL NO.	PRICE	THREAD	H	T	D	F	R
MLBC-M6	Consult Sales	M6 x 1.0	12.7 (0.50)	5.1 (0.20)	15.2 (0.60)	12.7 (0.50)	50.8 (2.00)
MLBC-M8	Consult Sales	M8 x 1.25	12.7 (0.50)	5.1 (0.20)	15.2 (0.60)	12.7 (0.50)	50.8 (2.00)
MLBC-M10	Consult Sales	M10 x 1.5	15.2 (0.60)	7.6 (0.30)	19.1 (0.75)	15.9 (0.63)	50.8 (2.00)
MLBC-M12	Consult Sales	M12 x 1.75	17.8 (0.70)	7.6 (0.30)	19.1 (0.75)	15.9 (0.63)	102 (4.02)
MLBC-M16	Consult Sales	M16 x 2.0	22.9 (0.90)	7.6 (0.30)	38.1 (1.50)	31.8 (1.25)	127 (5.00)
MLBC-M20	Consult Sales	M20 x 1.5	22.9 (0.90)	7.6 (0.30)	38.1 (1.50)	31.8 (1.25)	127 (5.00)
MLBC-M24	Consult Sales	M24 x 2.0	27.9 (1.10)	7.6 (0.30)	38.1 (1.50)	31.8 (1.25)	203 (8.00)
MLBC-M36	Consult Sales	M36 x 2.0	57.2 (2.25)	25.4 (1.00)	63.5 (2.50)	57.2 (2.25)	356 (14.02)



Load Cell Options (Limited Models Only)

Temperature Compensation:

"-TC1" Extended Compensated Range (-46 to 93°C/-50 to 200°F) not exceeding operating range\$50

"-TC2" 163°C (350°F)225

Additional Cable Length:

4-conductor PVC\$2.00/ft
 4-conductor PTFE4.50/ft
 6-conductor PVC2.75/ft
 6-conductor PTFE6.50/ft

Mating Connectors:

PT06F-10-6S\$26.50
 PT06A-10-6S (SR)25.00

Calibration/Recalibration:

"-NC5" 5-point calibration\$150.00
 0%, 50%, 100%, 50%, 0%
 Extra calibration points\$25/pt
 See section B for full details on calibrations

Built-In Amplifiers:

0 to 5 Vdc\$175
 4 to 20 mA195

In-Line Amplifiers:

See section C for selection

Rod Ends (Specify Model Number)		Dimensions: mm (in)										
MALE ROD ENDS	PRICE	THREAD SIZE	B	W	H	A	D	C	a°	K	J	STATIC LOAD (lb)
MREC-M5M	\$25	M5 x 0.8	5 (0.197)	8 (0.315)	6.25 (0.246)	33 (1.300)	16 (0.630)	20 (0.787)	14	—	—	12,611
MREC-M6M	25	M6 x 1.0	6 (0.236)	9 (0.354)	7 (0.275)	36 (1.417)	19 (0.748)	22 (0.866)	13	—	—	17,720
MREC-8M	35	M8 x 1.25	8 (0.315)	12 (0.472)	8.75 (0.344)	42 (1.653)	22.25 (0.876)	25 (0.984)	18	—	—	33,135
MREC-10M	35	M10 x 1.5	10 (0.394)	14 (0.551)	10.5 (0.413)	48 (1.990)	27 (1.063)	29 (1.142)	17	—	—	50,227
MREC-12M	35	M12 x 1.75	12 (0.472)	16 (0.630)	12 (0.472)	54 (2.126)	30 (1.181)	33 (1.300)	17	—	—	44,490
MREC-16M	65	M16 x 2.0	16 (0.630)	21 (0.826)	14.25 (0.561)	66 (2.598)	38 (1.496)	40 (1.575)	23	—	—	76,291
MREC-20M	165	M20 x 1.5	20 (0.787)	25 (0.984)	18 (0.709)	78 (3.071)	46 (1.811)	47 (1.850)	20	—	—	120,212
MREC-24M	520	M24 x 2.0	25 (0.984)	31 (1.220)	22 (0.866)	95 (3.740)	60 (2.362)	57 (2.244)	19	—	—	251,780
MRECM-5F	\$25	M5 x 0.8	5 (0.197)	8 (0.315)	6.25 (0.246)	27 (1.063)	16 (0.630)	14 (0.551)	14	11	9	16,396
MRECM-6F	25	M6 x 1.0	6 (0.236)	9 (0.354)	7 (0.275)	30 (1.181)	19 (0.748)	14 (0.551)	13	13	11	25,781
MRECM-10F	35	M10 x 1.5	10 (0.394)	14 (0.551)	10.5 (0.413)	43 (1.693)	27 (1.063)	21 (0.827)	17	19	17	50,227
MRECM-12F	35	M12 x 1.75	12 (0.472)	16 (0.630)	12 (0.472)	50 (1.968)	30 (1.181)	24 (0.945)	17	22	19	44,490
MRECM-20F	135	M20 x 1.5	20 (0.787)	25 (0.984)	18 (0.709)	77 (3.031)	46 (1.811)	40 (1.575)	20	34	30	120,212



UNITED STATES

www.omega.com
1-800-TC-OMEGA
Stamford, CT.

CANADA

www.omega.ca
Laval(Quebec)
1-800-TC-OMEGA

GERMANY

www.omega.de
Deckenpfronn, Germany
0800-8266342

UNITED KINGDOM

www.omega.co.uk
Manchester, England
0800-488-488

FRANCE

www.omega.fr
Guyancourt, France
088-466-342

CZECH REPUBLIC

www.omegaeng.cz
Karviná, Czech Republic
596-311-899

BENELUX

www.omega.nl
Amstelveen, NL
0800-099-33-44



More than 100,000 Products Available!

• Temperature

Calibrators, Connectors, General Test and Measurement Instruments, Glass Bulb Thermometers, Handheld Instruments for Temperature Measurement, Ice Point References, Indicating Labels, Crayons, Cements and Lacquers, Infrared Temperature Measurement Instruments, Recorders Relative Humidity Measurement Instruments, RTD Probes, Elements and Assemblies, Temperature & Process Meters, Timers and Counters, Temperature and Process Controllers and Power Switching Devices, Thermistor Elements, Probes and Assemblies, Thermocouples Thermowells and Head and Well Assemblies, Transmitters, Wire

• Flow and Level

Air Velocity Indicators, Doppler Flowmeters, Level Measurement, Magnetic Flowmeters, Mass Flowmeters, Pitot Tubes, Pumps, Rotameters, Turbine and Paddle Wheel Flowmeters, Ultrasonic Flowmeters, Valves, Variable Area Flowmeters, Vortex Shedding Flowmeters

• pH and Conductivity

Conductivity Instrumentation, Dissolved Oxygen Instrumentation, Environmental Instrumentation, pH Electrodes and Instruments, Water and Soil Analysis Instrumentation

• Data Acquisition

Auto-Dialers and Alarm Monitoring Systems, Communication Products and Converters, Data Acquisition and Analysis Software, Data Loggers Plug-in Cards, Signal Conditioners, USB, RS232, RS485 and Parallel Port Data Acquisition Systems, Wireless Transmitters and Receivers

• Pressure, Strain and Force

Displacement Transducers, Dynamic Measurement Force Sensors, Instrumentation for Pressure and Strain Measurements, Load Cells, Pressure Gauges, Pressure Reference Section, Pressure Switches, Pressure Transducers, Proximity Transducers, Regulators, Strain Gages, Torque Transducers, Valves

• Heaters

Band Heaters, Cartridge Heaters, Circulation Heaters, Comfort Heaters, Controllers, Meters and Switching Devices, Flexible Heaters, General Test and Measurement Instruments, Heater Hook-up Wire, Heating Cable Systems, Immersion Heaters, Process Air and Duct, Heaters, Radiant Heaters, Strip Heaters, Tubular Heaters