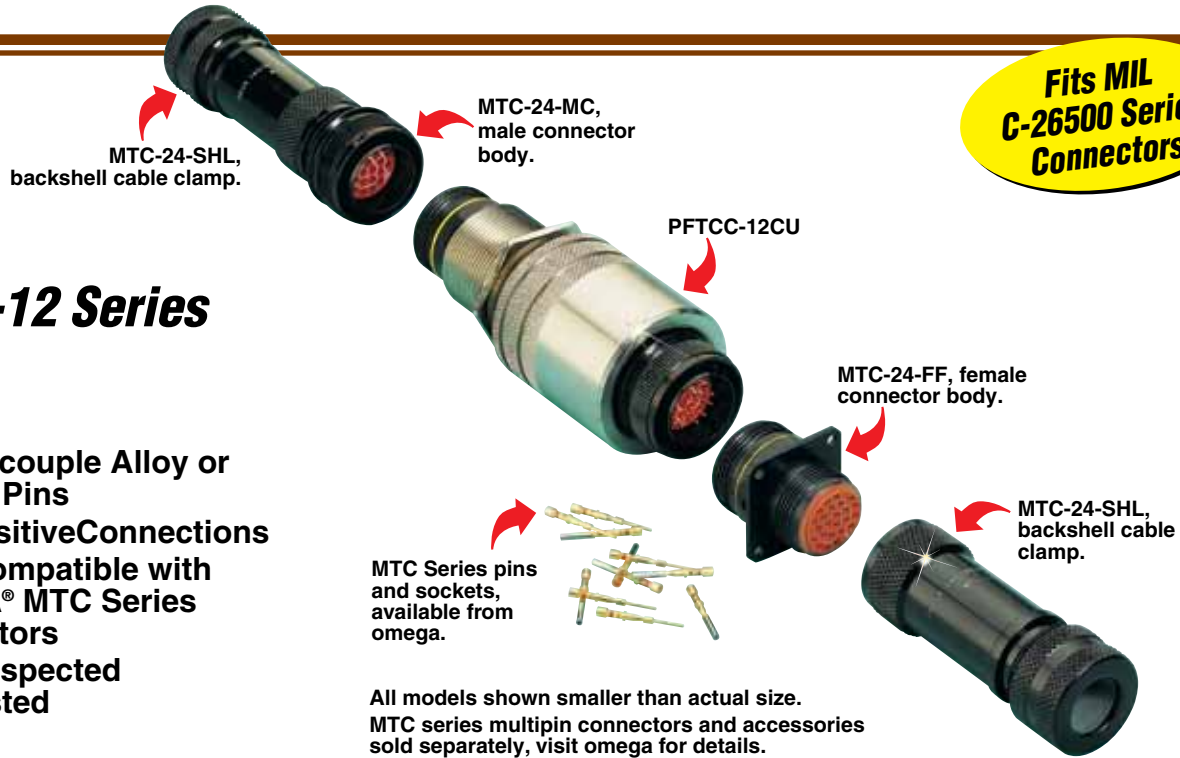


# VACUUM/PRESSURE FEEDTHROUGHS HERMETIC SEAL MULTIPIN CONNECTORS



**Fits MIL  
C-26500 Series  
Connectors**



## PFTCC-12 Series

- ✓ Thermocouple Alloy or Copper Pins
- ✓ Fast Positive Connections
- ✓ Fully Compatible with OMEGA® MTC Series Connectors
- ✓ 100% Inspected and Tested

MTC Series pins and sockets, available from omega.

All models shown smaller than actual size.  
MTC series multipin connectors and accessories sold separately, visit omega for details.

### Chemical Exposure

**Compatible:** Oil, solvents, refrigerants, water, non-corrosive gases

**Avoid:** Strong acids and bases

### SPECIFICATIONS

**Material:** Housing and Nut, 300 Series stainless steel; connector shell, electrodeless nickel plated O-ring; Butyl pins, fits 20 to 24 AWG wire

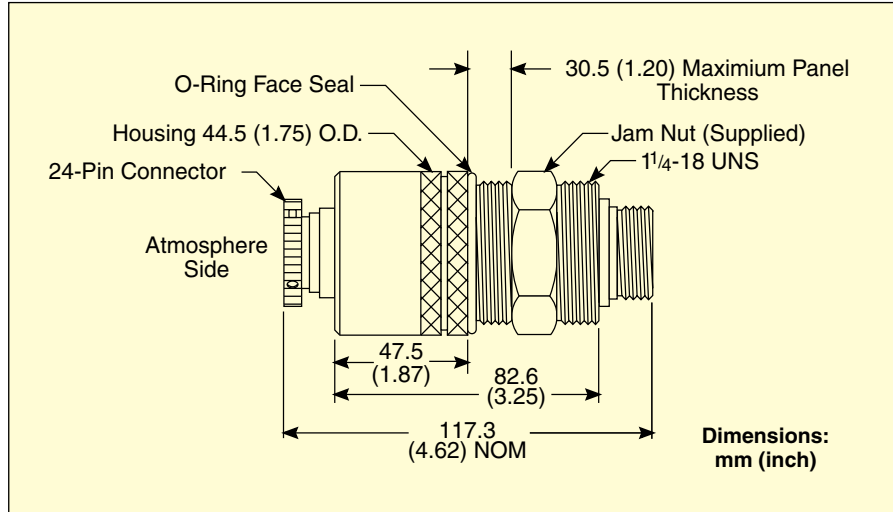
**Pressure Rating:** Maximum pressure: 120 psi; Vacuum limit:  $1 \times 10^{-8}$  Torr

**Leak Rates, Pressure:** Leak rate at 120 psi:  $1 \times 10^{-6}$  cc air/sec; Leak rate at 29 in. Hg vac:  $1 \times 10^{-7}$  cc air/sec

**Leak Rates, Vacuum:** Leak rate at 15 psi:  $10 \times 10^{-8}$  cc He/sec; Leak rate at  $10^{-8}$  Torr:  $1 \times 10^{-8}$  cc He/sec

**Temperature Limits:** -40 to 107°C (-40 to 225°F)

**Out Gassing:** <0.003% VCM <0.4% Weight loss; Sample at 125°C (257°F), cold surface at 25°C (77°F)



To Order	
MODEL NO.	DESCRIPTION
PFTCC-12CU	Connector for 12 wire pairs, Cu
PFTCC-12J	Connector for 12 wire pairs, J thermocouple
PFTCC-12K	Connector for 12 wire pairs, K thermocouple
PFTCC-12E	Connector for 12 wire pairs, E thermocouple
PFTCC-12T	Connector for 12 wire pairs, T thermocouple

PFTCC connectors are for use with MTC series pins.

**Ordering Example:** PFTCC-12K, 24-pin connector for MIL C-26500 connectors. Compatible with 12 type-K thermocouples; cable clamps, connector bodies and MTC pins sold separately.