

# LOW-COST UTILITY GAUGES

## FOR INDUSTRIAL AND OEM MARKETS

### DUAL psi/bar SCALES

## PGU Series

Starts at  
**\$12**

- ✓ Dual Scales in psi and bar
- ✓ Economically Priced
- ✓ 3-2-3% Full Scale Accuracy\*
- ✓ 38, 50, 63, or 89 mm Dials (1½, 2, 2½, or 3½" Dials)
- ✓ Center Back or Lower Mount Fittings

\* 3% first ¼ of scale, 2% middle ½ of scale, 3% last ¼ of scale

OMEGA's PGU Series utility gauges provide economical, reliable service in a wide range of applications including pumps, compressors, and other equipment. These gauges come in ranges of (psi/bar) 0 to 30/2, 60/4, 100/7, 160/11, 200/14, and 300/21 with an accuracy of ±3-2-3% of span.

Gauges are available in 38 mm (1½"), 50 mm (2"), 63 mm (2½"), or 89 mm (3½") steel cases with center back- or lower-mount NPT connections.

### SPECIFICATIONS

**Ranges (psi/bar):** 0 to 30/2, 60/4, 100/7, 160/11, 200/14, 300/21

**Accuracy:** ±3-2-3%

**Bourdon Tube:** Phosphor bronze

**Window:** Polycarbonate

**Dial:** ABS

**Pointer:** Aluminum

**Case:** Painted steel

**Connection:** ¼ NPTM  
 [½ NPTM on 38 mm (1½") dials]



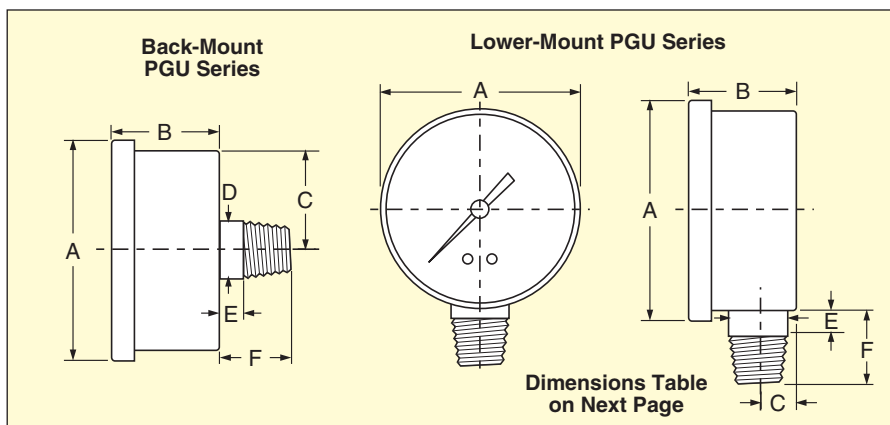
PGU-35L-100PSI/7BAR, with lower-mount fitting, \$21, shown smaller than actual size.



PGU-20L-30PSI/2BAR, with lower-mount fitting, \$12, shown actual size.



PGU-15B-160PSI/11BAR, with back-mount fitting, \$16, shown actual size.



# HOW TO ORDER PGU SERIES GAUGES

PGU-35L-100PSI/7BAR, \$21, shown actual size.



Recommended Reference Book:  
Measure for Measure,  
**OP-17, \$15.**  
Visit [omega.com/bobi](http://omega.com/bobi)  
for Additional Books



**MOST POPULAR RANGES HIGHLIGHTED!**

STANDARD RANGES		
RANGE CODE	OUTER SCALE (psi)	INNER SCALE (bar)
30PSI/2BAR	0 to 30	0 to 2
60PSI/4BAR	0 to 60	0 to 4
100PSI/7BAR	0 to 100	0 to 7
160PSI/11BAR	0 to 160	0 to 11
200PSI/14BAR	0 to 200	0 to 14
300PSI/21BAR	0 to 300	0 to 21

**MOST POPULAR MODELS HIGHLIGHTED!**

To Order (Specify Model Number)			
DIAL SIZE	MODEL NO.	CONNECTION	PRICE
38 mm (1½")	PGU-15L-[*]	⅛" lower	\$16
38 mm (1½")	PGU-15B-[*]	⅛" back	16
50 mm (2")	PGU-20L-[*]	¼" lower	12
50 mm (2")	PGU-20B-[*]	¼" back	12
63 mm (2½")	PGU-25L-[*]	¼" lower	16
63 mm (2½")	PGU-25B-[*]	¼" back	16
89 mm (3½")	PGU-35L-[*]	¼" lower	21



PGU-20B-100PSI/7BAR, \$12, shown actual size.

[\*] Insert range code from Standard Ranges table.

Ordering Examples: **PGU-35L-30PSI/2BAR**, 89 mm (3½") gauge with bottom fitting and scaled 0 to 30 psi and 0 to 2 bar, \$21.

**PGU-25B-30PSI/2BAR**, 63 mm (2½") gauge with back fitting and scaled 0 to 30 psi and 0 to 2 bar, \$16

**Dimensions: mm (in)**

DIAL SIZE	FITTING	A	B	C	D	E	F
38.1 (1½)	Lower mount	42.4 (1.67)	22.6 (0.89)	7.1 (0.28)	11.0 (0.43)	5.6 (0.22)	15.7 (0.62)
38.1 (1½)	Center back mount	42.4 (1.67)	23.1 (0.91)	21.3 (0.84)	11.0 (0.43)	4.6 (0.18)	15.7 (0.62)
50.8 (2)	Lower mount	55.1 (2.17)	27.4 (1.08)	9.7 (0.38)	14.0 (0.55)	6.4 (0.25)	18.0 (0.71)
50.8 (2)	Center back mount	55.1 (2.17)	27.9 (1.10)	27.7 (1.09)	14.0 (0.55)	7.4 (0.29)	19.8 (0.78)
63.5 (2½)	Lower mount	63.2 (2.49)	29.7 (1.17)	9.9 (0.39)	14.0 (0.55)	8.9 (0.35)	21.6 (0.85)
63.5 (2½)	Center back mount	63.2 (2.49)	31.5 (1.24)	30.7 (1.21)	14.0 (0.55)	8.9 (0.35)	21.6 (0.85)
88.9 (3½)	Lower mount	89.7 (3.53)	30.2 (1.19)	10.2 (0.40)	14.0 (0.55)	10.7 (0.42)	22.1 (0.87)



# LOW-COST, LIQUID-FILLABLE UTILITY GAUGES

## PGUF Series

Starts at  
**\$20**

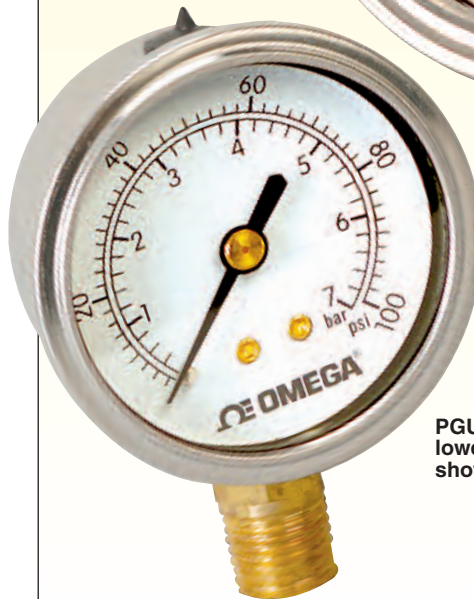
- ✓ Dual Scales in psi and bar Standard
- ✓ Economically Priced
- ✓ 2.5% Full Scale Accuracy
- ✓ 38, 50, or 63 mm Dia. (1½, 2, or 2½")
- ✓ Center Back- or Lower-Mount Fittings

OMEGA's PGUF Series liquid-fillable utility gauges are designed for a wide range of applications on pumps, compressors, hydraulic systems, machine tools, and petrochemical processing equipment. For high-shock and vibration applications, the PGUF can be liquid-filled in the field to dampen the gauge pointer movement.

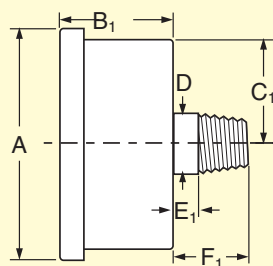
The PGUF Series liquid-fillable gauges come in ranges of (psi/bar) 0 to 30/2, 60/4, 100/7, 160/11, 300/21, 600/42, and 1000/70 [the 63 mm (2½") gauge is also available in 2000/140 and 3000/210]. Rated accuracy is ±2.5% of span.

The gauges feature a corrosion-resistant 304 SS case and ring, and a durable polycarbonate window. Phosphor bronze Bourdon tubes with brass movement, socket, and NPT connections are standard. PGUF gauges are available in 38 mm (1½"), 50 mm (2"), and 63 mm (2½") designs with center back- or lower-mount NPT connections.

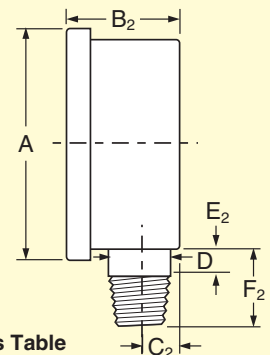
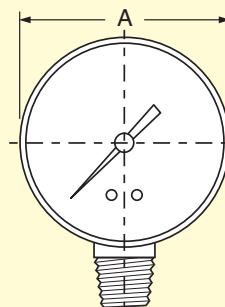
PGUF-25B-100PSI/7BAR, center back-mount gauge, \$20, shown actual size.



PGUF-20L-100PSI/7BAR, lower-mount gauge, \$20, shown actual size.

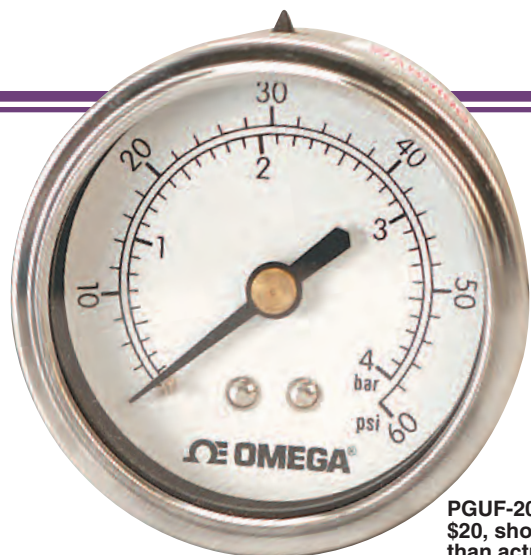


PGUF Series



Dimensions Table on Next Page

# HOW TO ORDER PGUF SERIES GAUGES



PGUF-20B-60PSI/4BAR, \$20, shown slightly larger than actual size.



PGUF-25B-100PSI/7BAR, \$20, shown slightly larger than actual size.

## SPECIFICATIONS

**Ranges:** From 30 psi/2 bar to 1000 psi/70 bar [2000 psi/140 bar and 3000 psi/200 bar ranges on 63 mm (2½") models only]

**Accuracy:** ±2.5%

**Bourdon Tube:** Phosphor bronze

**Window:** Polycarbonate

**Dial:** Galvalume white background with blue and black markings

**Pointer:** Galvalume black finish

**Movement:** Brass

**Case and Ring:** 304 SS

**Connection:** ¼ MNPT [½ MNPT on 38 mm (1½") dials]

**Seals:** Buna-N

**Scale:** Dual scale psi/bar

**Compatible Filling Liquids:** Glycerin, silicone oil or mineral oil

**Dimensions:** mm (in)

DIAL SIZE	A	B1	B2	C1	C2	D	E1	E2	F1	F2
38 (1½) (CBM† only)	45.5 (1.79)	26.7 (1.05)	—	20.9 (0.82)	—	14.5 (0.57)	8.6 (0.34)	—	19.6 (0.77)	—
50 (2)	59.2 (2.33)	28.4 (1.12)	29.0 (1.14)	26.7 (1.05)	10.2 (0.40)	14.5 (0.57)	6.1 (0.24)	7.4 (0.29)	19.4 (0.76)	20.1 (0.79)
63 (2½)	70.1 (2.76)	33.8 (1.33)	33.8 (1.33)	32.3 (1.27)	11.2 (0.44)	14.5 (0.57)	11.7 (0.46)	7.6 (0.30)	25.4 (1.00)	20.8 (0.82)

† Center back mount.

**MOST POPULAR RANGES HIGHLIGHTED!**

STANDARD RANGES		
RANGE CODE	OUTER SCALE (psi)	INNER SCALE (bar)
30PSI/2BAR	0 to 30	0 to 2
60PSI/4BAR	0 to 60	0 to 4
100PSI/7BAR	0 to 100	0 to 7
160PSI/11BAR	0 to 160	0 to 11
300PSI/21BAR	0 to 300	0 to 21
600PSI/42BAR	0 to 600	0 to 42
1000PSI/70BAR	0 to 1000	0 to 70
2000PSI/140BAR**	0 to 2000	0 to 140
3000PSI/210BAR**	0 to 3000	0 to 210

\*\* 63 mm (2½") gauges only.

**MOST POPULAR MODELS HIGHLIGHTED!**

## To Order (Specify Model Number)

DIAL SIZE mm (in)	MODEL NO.	CONNECTION	PRICE <1000PSI/70BAR	PRICE 1000PSI/70BAR	PRICE >1000PSI/70BAR
38 (1½)	PGUF-15B-[*]	¼" back	\$20	\$20	—
50 (2)	PGUF-20L-[*]	¼" lower	20	20	—
50 (2)	PGUF-20B-[*]	¼" back	20	20	—
63 (2½)	PGUF-25L-[*]	¼" lower	20	23	\$26
63 (2½)	PGUF-25B-[*]	¼" back	20	23	26

[\*] Insert range code from Standard Ranges table above.

**Ordering Examples:** PGUF-20L-60PSI/4BAR, 50 mm (2") gauge with lower fitting scaled 0 to 60 psi and 0 to 4 bar, \$20.

PGUF-20B-60PSI/4BAR, 50 mm (2") gauge with back fitting scaled 0 to 60 psi and 0 to 4 bar, \$20.



Recommended Reference Book: Handyman in Your Pocket, GE-2408, \$15. Visit [omega.com/bobi](http://omega.com/bobi) for Additional Books



#### UNITED STATES

[www.omega.com](http://www.omega.com)  
1-800-TC-OMEGA  
Stamford, CT.

#### CANADA

[www.omega.ca](http://www.omega.ca)  
Laval(Quebec)  
1-800-TC-OMEGA

#### GERMANY

[www.omega.de](http://www.omega.de)  
Deckenpfronn, Germany  
0800-8266342

#### UNITED KINGDOM

[www.omega.co.uk](http://www.omega.co.uk)  
Manchester, England  
0800-488-488

#### FRANCE

[www.omega.fr](http://www.omega.fr)  
Guyancourt, France  
088-466-342

#### CZECH REPUBLIC

[www.omegaeng.cz](http://www.omegaeng.cz)  
Karviná, Czech Republic  
596-311-899

#### BENELUX

[www.omega.nl](http://www.omega.nl)  
Amstelveen, NL  
0800-099-33-44



## More than 100,000 Products Available!

### • Temperature

Calibrators, Connectors, General Test and Measurement Instruments, Glass Bulb Thermometers, Handheld Instruments for Temperature Measurement, Ice Point References, Indicating Labels, Crayons, Cements and Lacquers, Infrared Temperature Measurement Instruments, Recorders Relative Humidity Measurement Instruments, RTD Probes, Elements and Assemblies, Temperature & Process Meters, Timers and Counters, Temperature and Process Controllers and Power Switching Devices, Thermistor Elements, Probes and Assemblies, Thermocouples Thermowells and Head and Well Assemblies, Transmitters, Wire

### • Flow and Level

Air Velocity Indicators, Doppler Flowmeters, Level Measurement, Magnetic Flowmeters, Mass Flowmeters, Pitot Tubes, Pumps, Rotameters, Turbine and Paddle Wheel Flowmeters, Ultrasonic Flowmeters, Valves, Variable Area Flowmeters, Vortex Shedding Flowmeters

### • pH and Conductivity

Conductivity Instrumentation, Dissolved Oxygen Instrumentation, Environmental Instrumentation, pH Electrodes and Instruments, Water and Soil Analysis Instrumentation

### • Data Acquisition

Auto-Dialers and Alarm Monitoring Systems, Communication Products and Converters, Data Acquisition and Analysis Software, Data Loggers Plug-in Cards, Signal Conditioners, USB, RS232, RS485 and Parallel Port Data Acquisition Systems, Wireless Transmitters and Receivers

### • Pressure, Strain and Force

Displacement Transducers, Dynamic Measurement Force Sensors, Instrumentation for Pressure and Strain Measurements, Load Cells, Pressure Gauges, Pressure Reference Section, Pressure Switches, Pressure Transducers, Proximity Transducers, Regulators, Strain Gages, Torque Transducers, Valves

### • Heaters

Band Heaters, Cartridge Heaters, Circulation Heaters, Comfort Heaters, Controllers, Meters and Switching Devices, Flexible Heaters, General Test and Measurement Instruments, Heater Hook-up Wire, Heating Cable Systems, Immersion Heaters, Process Air and Duct, Heaters, Radiant Heaters, Strip Heaters, Tubular Heaters