

# EXCITATION FOR STRAIN GAGES, BRIDGES, AND PRESSURE TRANSDUCERS SCREW TERMINAL STYLE

## PST Series

Starts at  
**\$180**

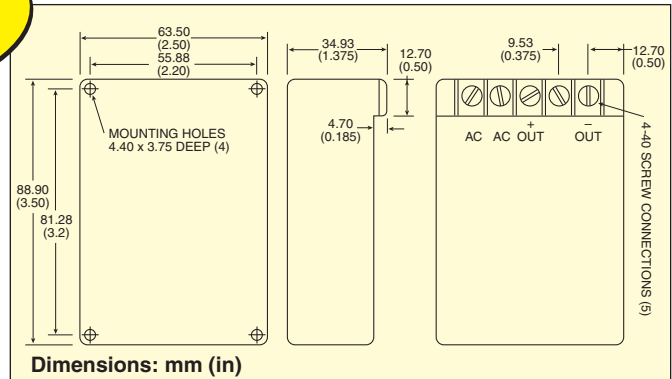


PST-10, \$180,  
shown smaller  
than actual size.

**Works  
with Most  
Transducers**



- ✓ 4-40 Screw Terminations and Mounting Inserts
- ✓ Floating Output
- ✓ Efficient
- ✓ Rugged
- ✓ Lightweight: 425 g (15 oz)



Encapsulated power supplies provide a versatile excitation source for transducers and bridges. The barrier-strip case is designed to be mounted to a bulkhead or chassis with four 4-40 screws. Screw terminals are provided for connection, using either crimp lugs or stripped wires. These regulated power supplies are a modular solution to a user's excitation needs. The stable output allows drift-free performance even if the input power source is noisy or unstable. Long-term measurements can then be meaningfully compared. Short circuit protection prevents failure caused by excessive current drain, and the conservative design ensures long-term reliability.

### SPECIFICATIONS

**Input Voltage:** 105 to 125 Vac, 47 to 420 Hz, single phase

**Ripple:** 0.5 mVrms

#### Output Voltage Trim Adjustment:

Output is factory preset to  $\pm 2\%$  (1 to 9V models) or  $\pm 1\%$  (10 to 75V models) of nominal output voltage. Output may be trimmed to the nominal voltage rating with an external trim resistor.

**Polarity:** Output is floating. Either positive or negative terminal may be grounded.

**Operating Temperature:** -20 to 71°C (-4 to 160°F); no derating required

**Storage Temperature:** -55 to 85°C (-67 to 185°F)

**Temperature Coefficient:** From 9 to 75V, approximate TC is 0.015%/°C; 1 to 8V is 0.03%/°C

**MOST POPULAR MODEL HIGHLIGHTED!**

### To Order (Specify Model Number)

MODEL NO.	PRICE	OUTPUT	
		V	mA
PST-5	\$180	5V	500
PST-8	180	8V	300
PST-10	180	10V	240
PST-15	180	15V	200
PST-A15	265	15V	300
PST-B15	335	15V	500
PST-18	220	18V	270
PST-28	220	28V	150

### ACCESSORY

MODEL NO.	PRICE	DESCRIPTION
POWER CORD-SE	\$7	Power cord with stripped end termination

Comes complete with operator's manual.

**Ordering Examples:** PST-10, encapsulated power supply with 10V, 240 mA output, \$180.

PST-5, encapsulated power supply with 5V, 500 mA output, \$180.

Recommended Reference Book:  
Robust Systems Theory and Applications,  
GE-2362, \$150. See Section Y for Additional Books





#### UNITED STATES

[www.omega.com](http://www.omega.com)  
1-800-TC-OMEGA  
Stamford, CT.

#### CANADA

[www.omega.ca](http://www.omega.ca)  
Laval(Quebec)  
1-800-TC-OMEGA

#### GERMANY

[www.omega.de](http://www.omega.de)  
Deckenpfronn, Germany  
0800-8266342

#### UNITED KINGDOM

[www.omega.co.uk](http://www.omega.co.uk)  
Manchester, England  
0800-488-488

#### FRANCE

[www.omega.fr](http://www.omega.fr)  
Guyancourt, France  
088-466-342

#### CZECH REPUBLIC

[www.omegaeng.cz](http://www.omegaeng.cz)  
Karviná, Czech Republic  
596-311-899

#### BENELUX

[www.omega.nl](http://www.omega.nl)  
Amstelveen, NL  
0800-099-33-44



## More than 100,000 Products Available!

### • Temperature

Calibrators, Connectors, General Test and Measurement Instruments, Glass Bulb Thermometers, Handheld Instruments for Temperature Measurement, Ice Point References, Indicating Labels, Crayons, Cements and Lacquers, Infrared Temperature Measurement Instruments, Recorders Relative Humidity Measurement Instruments, RTD Probes, Elements and Assemblies, Temperature & Process Meters, Timers and Counters, Temperature and Process Controllers and Power Switching Devices, Thermistor Elements, Probes and Assemblies, Thermocouples Thermowells and Head and Well Assemblies, Transmitters, Wire

### • Flow and Level

Air Velocity Indicators, Doppler Flowmeters, Level Measurement, Magnetic Flowmeters, Mass Flowmeters, Pitot Tubes, Pumps, Rotameters, Turbine and Paddle Wheel Flowmeters, Ultrasonic Flowmeters, Valves, Variable Area Flowmeters, Vortex Shedding Flowmeters

### • pH and Conductivity

Conductivity Instrumentation, Dissolved Oxygen Instrumentation, Environmental Instrumentation, pH Electrodes and Instruments, Water and Soil Analysis Instrumentation

### • Data Acquisition

Auto-Dialers and Alarm Monitoring Systems, Communication Products and Converters, Data Acquisition and Analysis Software, Data Loggers Plug-in Cards, Signal Conditioners, USB, RS232, RS485 and Parallel Port Data Acquisition Systems, Wireless Transmitters and Receivers

### • Pressure, Strain and Force

Displacement Transducers, Dynamic Measurement Force Sensors, Instrumentation for Pressure and Strain Measurements, Load Cells, Pressure Gauges, Pressure Reference Section, Pressure Switches, Pressure Transducers, Proximity Transducers, Regulators, Strain Gages, Torque Transducers, Valves

### • Heaters

Band Heaters, Cartridge Heaters, Circulation Heaters, Comfort Heaters, Controllers, Meters and Switching Devices, Flexible Heaters, General Test and Measurement Instruments, Heater Hook-up Wire, Heating Cable Systems, Immersion Heaters, Process Air and Duct, Heaters, Radiant Heaters, Strip Heaters, Tubular Heaters