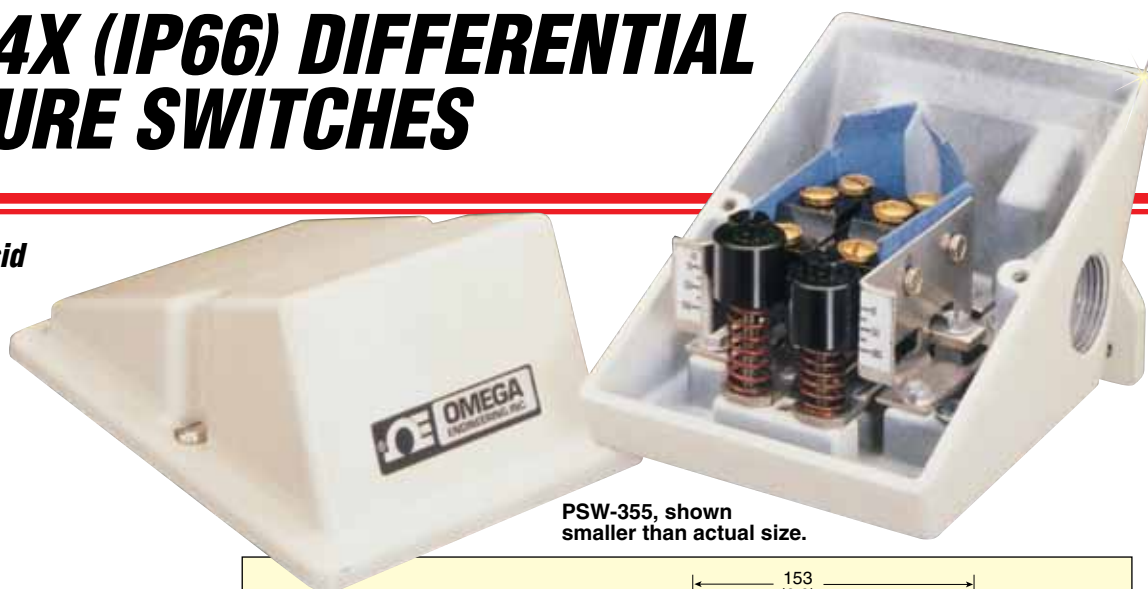


NEMA 4X (IP66) DIFFERENTIAL PRESSURE SWITCHES

5 inH₂O to 400 psid

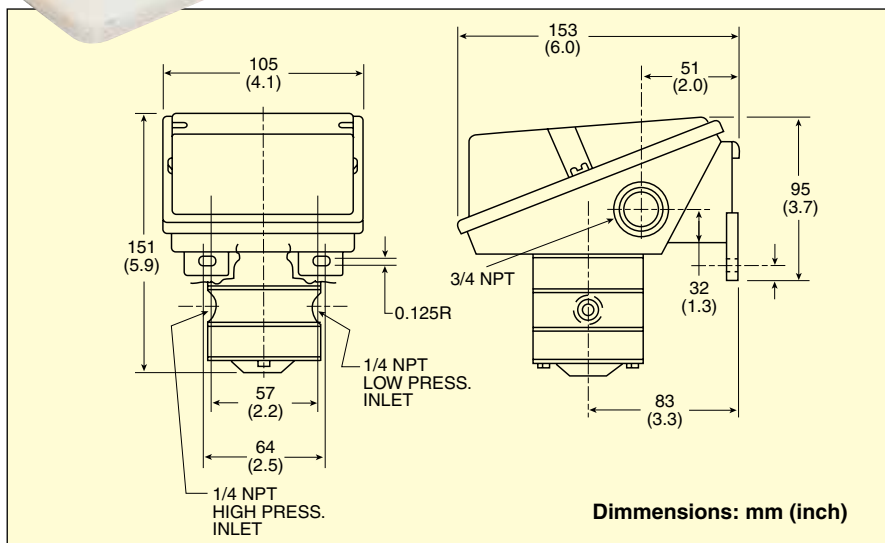


PSW-355, shown smaller than actual size.

PSW-350 Series



- ✓ ±1% Setpoint Repeatability
- ✓ Rugged Epoxy-Coated NEMA 4X (IP66) Watertight Enclosure
- ✓ Dependable Switch Actuation Between the 2 Input Pressures
- ✓ High Static Pressure



SPECIFICATIONS

(Visit us online for additional specifications).

Process Fluid:

Buna-N and PTFE Diaphragms:

-18 to 66°C (0 to 150°F)

FKM Diaphragms:

-7 to 149°C (20 to 300°F)

Pressure Connection: ¼ FNPT;

brass-plated carbon steel for psid ranges;
carbon steel for H₂O ranges

OPTIONS

ORDERING SUFFIX	DESCRIPTION
-V	FKM diaphragm and O-ring
-T	PTFE diaphragm and O-ring
-SS	SS diaphragm (psi units to 60 psid only)

To Order

MODEL NO.	ADJUSTABLE RANGE UNITS	DEADBAND STANDARD PRESSURE	STATIC WORKING PRESSURE	PROOF PRESSURE	SWITCH
Single Setpoint, Adjustable Deadband, Buna-N Diaphragm, O-Ring, ¼ NPTF					
PSW-351	5 to 30 inH ₂ O	4 to 27	5.4 psi	21.6 psi	10 A SPDT
PSW-352	9 to 60 inH ₂ O	5 to 54	5.4 psi	21.6 psi	10 A SPDT
PSW-353	15 to 100 inH ₂ O	8.5 to 90	5.4 psi	21.6 psi	10 A SPDT
PSW-354	23 to 150 inH ₂ O	18 to 135	5.4 psi	21.6 psi	10 A SPDT
PSW-355	5 to 30 psid	3 to 27	500 psi	2000 psi	10 A SPDT
PSW-356	9 to 60 psid	5 to 54	500 psi	2000 psi	10 A SPDT
PSW-357	30 to 200 psid	18 to 180	1000 psi	4000 psi	10 A SPDT
PSW-358	60 to 400 psid	45 to 360	1000 psi	8000 psi	10 A SPDT
Dual Setpoint, Fixed Deadband, Buna-N Diaphragm, O-Ring, ¼ NPTF					
PSW-361	5 to 30 inH ₂ O	0.7 to 1.4	5.4 psi	21.6 psi	Dual 15 A*
PSW-362	9 to 60 inH ₂ O	0.7 to 2.0	5.4 psi	21.6 psi	Dual 15 A*
PSW-363	15 to 100 inH ₂ O	1.4 to 2.8	5.4 psi	21.6 psi	Dual 15 A*
PSW-364	23 to 150 inH ₂ O	2.4 to 4.2	5.4 psi	21.6 psi	Dual 15 A*
PSW-365	5 to 30 psid	1.0 to 2.1	500 psi	2000 psi	Dual 15 A*
PSW-366	9 to 60 psid	1.4 to 2.8	500 psi	2000 psi	Dual 15 A*
PSW-367	30 to 200 psid	1.4 to 5.6	1000 psi	4000 psi	Dual 15 A*
PSW-368	60 to 400 psid	5.6 to 11	1000 psi	8000 psi	Dual 15 A*

Comes complete with operator's manual.

* Two 15 A SPDT switches.

Ordering Example: PSW-355, range of 5 to 30 psid, 10 A SPDT switch.