

STAINLESS STEEL PRESSURE SWITCHES FOR HARSH ENVIRONMENTS DUAL 15 A SPDT SWITCHES

5 inH₂O to 3000 psi

PSW-370 Series



See switch accessories online for audible alarms and relay modules.



PSW-376, shown smaller than actual size.

- ✓ All-Stainless NEMA 4X (IP66) Case Resists Industrial Corrosion
- ✓ Designed for Harsh Industrial Applications with Long-Life UL- and CSA-Rated Switches
- ✓ Ranges from 5 inH₂O to 3000 psi
- ✓ Easy to Adjust with Internal Reference Scale
- ✓ PTFE or Stainless Steel Diaphragms

SPECIFICATIONS

Electrical Rating:
 15 A: 125/250/480 Vac
 0.5 A: 125 Vdc
 0.25 A: 250 Vdc

Switch Output: Two SPDT switches can be wired "normally open" or "normally closed"

Setpoint Repeatability: ±1% range
Ambient and Storage Temperature: -29 to 66°C (-20 to 150°F)

Setpoint: Typically shifts ±1% of range per 28°C (50°F)

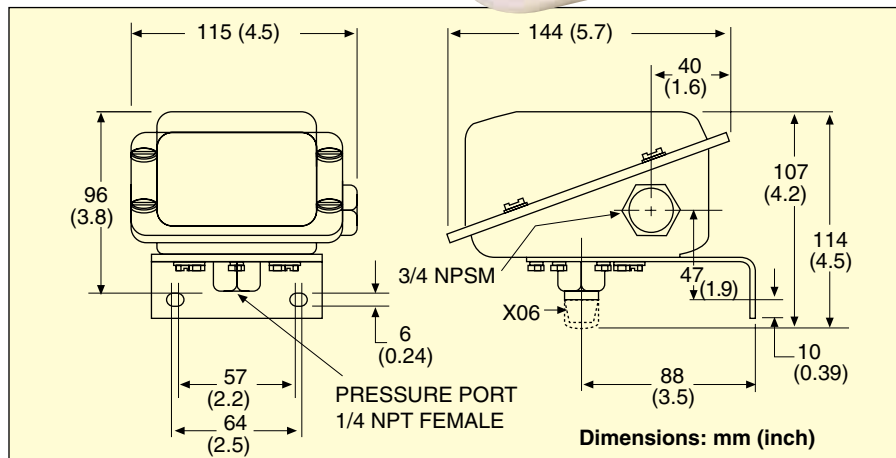
Electrical Connections: ¾ NPSM, 316 SS fitting

Pressure Connections: ¼ FNPT, 304 SS

Wetted Parts: inH₂O and 1000 and 3000 psi ranges: PTFE and stainless steel; 15 to 600 psi ranges: stainless steel

Enclosure: Gasketed 316 SS, NEMA 4X (IP66) rated

Oxygen Cleaning: Add suffix "-X6B" to model number and additional cost to price; available on SS models only.



To Order				
MODEL NO.	DIAPHRAGM MATERIAL	ADJUSTABLE RANGE	DEADBAND STANDARD UNITS	PROOF PRESSURE
PSW-370	PTFE	5 to 30 inH ₂ O	2.5 to 5.9	20 psi
PSW-371	PTFE	22 to 150 inH ₂ O	8.4 to 19.2	20 psi
PSW-372	SS	3 to 15 psi	2.4 to 3.6	500 psi
PSW-373	SS	6 to 30 psi	2.4 to 6.8	500 psi
PSW-374	SS	20 to 100 psi	8.5 to 15.3	1000 psi
PSW-375	SS	40 to 200 psi	17 to 34	1000 psi
PSW-376	SS	80 to 400 psi	37.4 to 71.4	2400 psi
PSW-377	SS	120 to 600 psi	37.4 to 119	2400 psi
PSW-378	PTFE	150 to 1000 psi	84 to 216	12,000 psi
PSW-379	PTFE	450 to 3000 psi	301 to 418	12,000 psi

Comes complete with operator's manual.

Ordering Example: PSW-376, SS diaphragm, range of 80 to 400 psi.