

HIGH-ACCURACY TRIPLE-RANGE VOLTAGE OUTPUT PRESSURE TRANSDUCER

7/16-20 PRESSURE OR 1/4 NPT CONNECTION

Triple Range

0-5 Vdc Output

0-5 to 40,000 psi

0-350 mbar to 2760 bar

1 bar = 14.5 psi

1 kg/cm² = 14.22 psi

1 atmosphere = 14.7 psi = 29.93

inHg = 760.2 mmHg = 1.014 bar

PX03C1-030G5T
with 1/4 NPT fitting,
shown smaller
than actual size.



Metric thread
adaptors available,
see omega.com

CUSTOM BUILT TO ORDER!

PX03 Series



- ✓ High Accuracy
- ✓ Switch Selectable — Specifications Apply to All Ranges
- ✓ Internal Shunt Resistor for Each Range
- ✓ All Stainless Steel Construction
- ✓ Sealed for Harsh Environments
- ✓ Available in Gage, Absolute, Sealed Gage, psi, and Metric Ranges

OMEGA's PX03 Series consists of high accuracy, switch-selectable, triple range voltage output industrial pressure transducers. All stainless steel construction and a sealed case makes these transducers suitable for the harshest industrial environments. A broad temperature-compensated range of 16 to 71°C (60 to 160°F) and excellent temperature compensation make these transducers very stable with fluctuating temperatures. The ranges are switch selectable and the accuracy and temperature specifications apply to each range.

The PX03 is available in gage, absolute, or sealed models, as well as psi or metric ranges. NPT and 7/16-20 UNF O-ring seal fittings are available for industrial and hydraulic applications.

To Order Visit omega.com/px03 for Pricing and Details

Models with 7/16-20 UNF or 1/4 NPT CONNECTION

RANGE		MODEL NO.	COMPATIBLE METERS†
psi	bar		
ABSOLUTE PRESSURE (All Ranges Available in Absolute Pressure)			
15/10/5	1.0/0.69/0.34	PX03[*]1-015A5T	DP41-E, DP25B-E, DP24-E
20/15/10	1.4/1.0/0.69	PX03[*]1-020A5T	DP41-E, DP25B-E, DP24-E
30/20/10	2.1/1.4/0.69	PX03[*]1-030A5T	DP41-E, DP25B-E, DP24-E
35/25/15	2.4/1.7/1.0	PX03[*]1-035A5T	DP41-E, DP25B-E, DP24-E
50/35/20	3.4/2.4/1.4	PX03[*]1-050A5T	DP41-E, DP25B-E, DP24-E
GAGE PRESSURE (All Ranges Also Available in Sealed Gage Pressure)			
15/10/5	1.0/0.69/0.34	PX03[*]1-015G5T	DP41-E, DP25B-E, DP24-E
20/15/10	1.4/1.0/0.69	PX03[*]1-020G5T	DP41-E, DP25B-E, DP24-E
30/20/10	2.1/1.4/0.69	PX03[*]1-030G5T	DP41-E, DP25B-E, DP24-E
35/25/15	2.4/1.7/1.0	PX03[*]1-035G5T	DP41-E, DP25B-E, DP24-E
50/35/20	3.4/2.4/1.4	PX03[*]1-050G5T	DP41-E, DP25B-E, DP24-E
75/50/25	5.2/3.4/1.7	PX03[*]1-075G5T	DP41-E, DP25B-E, DP24-E
100/75/50	6.9/5.2/3.4	PX03[*]1-100G5T	DP41-E, DP25B-E, DP24-E
200/150/75	13.8/10.3/5.2	PX03[*]1-200G5T	DP41-E, DP25B-E, DP24-E
300/200/100	20.7/13.8/6.9	PX03[*]1-300G5T	DP41-E, DP25B-E, DP24-E
500/300/150	34.5/20.7/10.3	PX03[*]1-500G5T	DP41-E, DP25B-E, DP24-E
750/500/250	51.7/34.5/17.2	PX03[*]1-750G5T	DP41-E, DP25B-E, DP24-E
1K/750/350	69/51.7/24.1	PX03[*]1-1KG5T	DP41-E, DP25B-E, DP24-E
1.5K/1K/500	103/69/34.5	PX03[*]1-1.5KG5T	DP41-E, DP25B-E, DP24-E
2K/1.5K/750	138/103/51.7	PX03[*]1-2KG5T	DP41-E, DP25B-E, DP24-E
3K/2K/1K	207/138/69	PX03[*]1-3KGT	DP41-E, DP25B-E, DP24-E
5K/3.5K/1.5K	345/241/103	PX03[*]1-5KG5T	DP41-E, DP25B-E, DP24-E
7.5K/5K/2.5K	517/345/172	PX03[*]1-7.5KG5T	DP41-E, DP25B-E, DP24-E
10K/7.5K/3.5K**	690/517/241	PX03S1-10KG5T	DP41-E, DP25B-E, DP24-E
15K/10K/5K**	1034/690/345	PX03S1-15KG5T	DP41-E, DP25B-E*, DP24-E*
20K/15K/7.5K**	1379/1034/517	PX03S1-20KG5T	DP41-E, DP25B-E*, DP24-E*
30K/20K/10K**	2068/1379/690	PX03S1-30KG5T	DP41-E, DP25B-E*, DP24-E*
40K/30K/10K**	2758/2068/690	PX03S1-40KG5T	DP41-E, DP25B-E*, DP24-E*

Comes complete with 5-point NIST traceable calibration.

* 4-digit meter, counts in increments of 10.

** 1/4 HP tube fitting only.

† See omega.com for compatible meters.

Metric ranges available – consult Engineering.

[*] Insert "K" for 7/16-20 UNF female connection (standard) or "C" for 1/4 MNPT male (add cost).

To order absolute pressure, replace the "G" in model number with "A" and add cost.

To order sealed gage units, replace "G" in model number with "S" (no extra charge).

Ordering Example: PX03K1-1KG5T, triple-range 1000/750/350 psi gage transducer with 0 to 5 V output, twist lock connector and 7/16-20 UNF female pressure connection. PT06F10-6S, mating connector (sold separately).

ACCESSORY

MODEL NO.	DESCRIPTION
PT06F10-6S	Mating connector for PX03 series transducers

TRIPLE-RANGE TRANSDUCER



PRESSURE TRANSDUCERS
B

SPECIFICATIONS TRIPLE OUTPUT

Specifications apply to each range

Excitation: 24 to 32 Vac/Vdc

Output: 0 to 5 Vdc $\pm 10\%$ adj

Zero Balance: 0 V $\pm 10\%$ adj

Linearity: $\pm 0.15\%$ FS

Hysteresis: $\pm 0.1\%$ FS

Repeatability: $\pm 0.05\%$ FS

Sensing Element: 4-active-arm bridge, using thick-film strain gages in a hermetically sealed chamber (except gage units)

Shunt Calibration Value:

Specified on calibration sheet

Operating Temp Range:

-46 to 121°C (-50 to 250°F)

Compensated Temp Range:

16 to 71°C (60 to 160°F)

Thermal Effects:

Span: 0.003% of rdg/°F

Zero: 0.003% of FS/°F

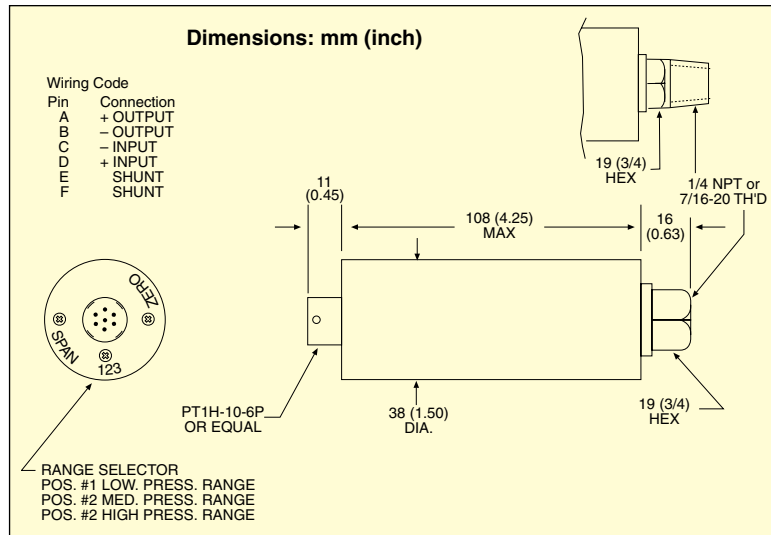
Proof Pressure:

150% of rated pressure

Burst Pressure:

300% of rated pressure

Wetted Parts: 17-4 PH stainless steel



Pressure Port:

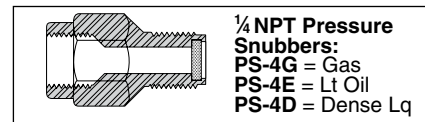
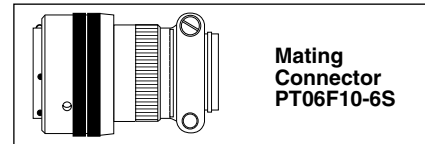
Ranges <10,000 psi: 1/16-20 UNF female; also available: 1/8-20 UNF male or 1/4-18 NPT male/female
Ranges 10,000 to 30,000 psi: 1/8-18, 1/4" HP tube

Electrical Connection:

PT1H-10-6P or equal

Mating Connector:

PT06F10-6S (sold separately)



"C" or "D" models only

CUSTOM CONFIGURATIONS

SERIES PX03	PRESSURE PORT [1]	ELECTRICAL CONNECTION [2]	RANGE (psi) [3]	UNITS [4]	OUTPUT [5]	OPTIONS [6]
	C = 1/4-18 NPT-M D = 1/4-18 NPT-F J = 1/16-20 UNF-M K = 1/16-20 UNF-F Ranges $\geq 10,000$ psi S = 1/8-18 1/4" HP tube		15/10/5 20/15/10 30/20/10 35/25/15 50/35/20 75/50/25 100/75/50 200/150/75 300/200/100 500/300/150 750/500/250 1K/750/350 1.5K/1K/500 2K/1.5K/750 3K/2K/1K 5K/3.5K/1.5K 7.5K/5K/2.5K 10K/7.5K/3.5K 15K/20K/5K 20K/15K/7.5K 30K/20K/10K 40K/30K/10K	S,G,A S,G,A S,G,A S,G,A S,G,A S,G,A S,G,A S,G,A S,G,A S,G,A S,G,A S,G,A S,G,A S,G,A S,G,A S,G,A S,G,A S,G,A S,G,A S,G,A	5T = 0 to 5 Vdc output	OL = Overload stops + additional cost where available OX = Cleaned for oxygen service + additional cost plus 2 weeks
	1 = PT1H-10-6P connector (or equal) Mating connector (not included), order PT06F10-6S					
	Metric ranges available – Consult Engineering.					

For additional options, including extended temperature ranges, see omega.com

To order a custom configuration:
 1. Select a pressure port
 2. Select electrical connection
 3. Select a pressure range
 4. Select pressure units
 5. Select output
 6. Select options

To order absolute pressure, replace "G" in model number with "A" and add cost to price.
 To order sealed gage units, replace "G" in model number with "S", no extra charge.

Ordering Example: PX03K1-1KG5T, triple-range 1000/750/350 psi gage transducer with 0 to 5 V output, twist lock connector and 1/16-20 UNF female pressure connection. PT06F10-6S, mating connector (sold separately).