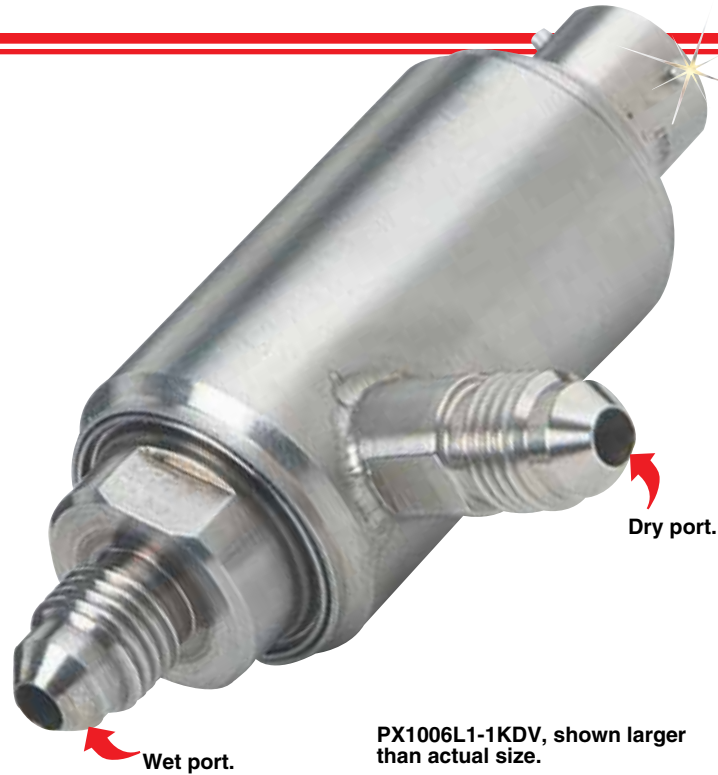


ULTRA-HIGH-STABILITY AEROSPACE DIFFERENTIAL PRESSURE TRANSDUCER WET/DRY APPLICATIONS

mV/V Output
0-15 to 5000 psid
(0-1 to 350 bar)
Differential Pressure

1 bar = 14.5 psi
1 kg/cm² = 14.22 psi
1 atmosphere = 14.7 psi = 29.93 inHg = 760.2 mmHg = 1.014 bar

PX1006 Series



PX1006L1-1KDV, shown larger than actual size.

- ✓ High-Accuracy, High-Stability Wet/Dry Differential Pressure
- ✓ All Stainless Steel Body for Harsh Industrial Environments
- ✓ High Overpressure Capability
- ✓ Broad Compensated Temperature Range
- ✓ Shock and Vibration Resistant

The PX1006 wet/dry differential pressure transducers are high-stability aerospace units that use a sputtered strain gage assembly. The sputtering method produces an ultra-stable high-temperature sensor that can withstand high shock and vibration environments. The wet chamber is all stainless steel and is compatible with most industrial fluids. The reference chamber is limited to dry, non-corrosive, non-conductive fluids and gases.

SPECIFICATIONS

mV/V Output
ELECTRICAL
Excitation: 5 Vdc
Output: 15 mV nominal, 13 mV minimum
Bridge Resistance: 350 Ω nominal
Zero Balance: 0 mV ±2% FSO
Input Resistance: 400 Ω nominal
Output Resistance: 400 Ω nominal
PERFORMANCE
Accuracy: ±0.25% FSO linearity, hysteresis and repeatability combined
Hysteresis: <0.1% FSO
Repeatability: <0.05% FSO
Zero Shift with Line Pressure:
Line Pressure ≤3 psia: <1.5%
Line Pressure 3 to 15 psia: <0.25%
Line Pressure >15 psia: <2.5%
Sensitivity Shift with Line Pressure:
<0.5% per 100 psi

ENVIRONMENTAL
Operating Temp Range:
-54 to 149°C (-65 to 300°F)
Compensated Temp Range:
-54 to 121°C (-65 to 250°F)
Thermal Effects:
Zero: ±0.009% FSO/°C (±0.005% FSO/°F)
Span: ±0.009% rdg/°C (±0.005% rdg/°F)

Full Scale Output Stability:
Less than 0.05% FSO for 2 hr at room temperature. Less than 0.10% FSO for 2 hr at 121°C (250°F).

Zero Stability: Less than 0.05% FSO for 2 hr at room temperature. Less than 0.10% FSO for 2 hr at 121°C (250°F).

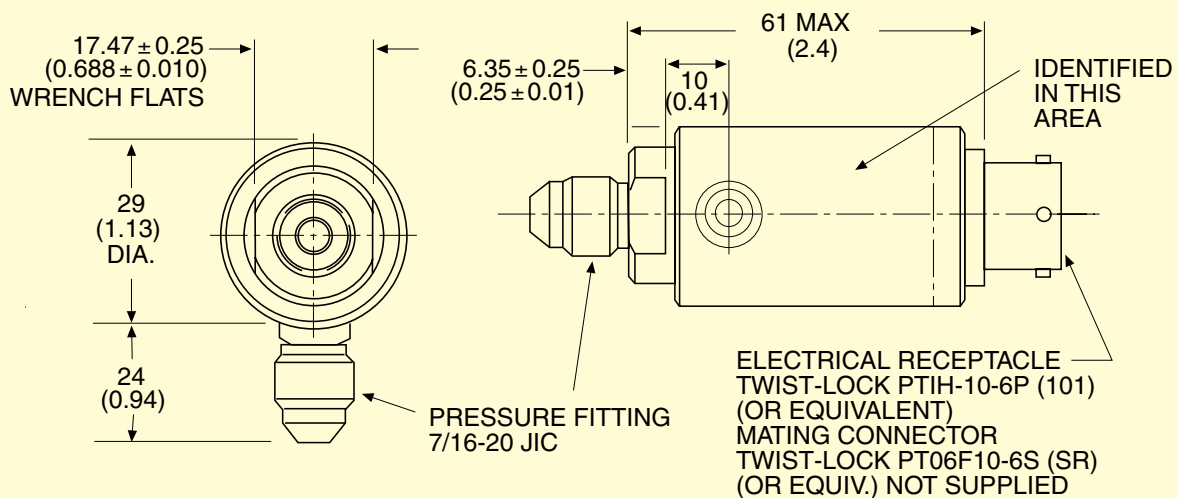
PRESSURE

Ranges psid: 15, 25, 50, 100, 300, 500, 1000, 2000, 2500, 5000
Safe Overpressure: 200% rated pressure or 15,000 psi, whichever is less
Burst Pressure: 300% rated pressure or 20,000 psi, whichever is less
Reference Chamber Pressure Range: 0 to 400 psi

MECHANICAL

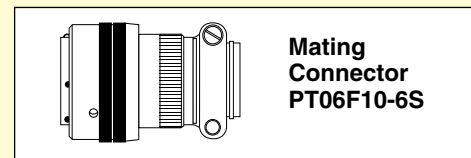
Media Compatibility:
Wet Connection: 17-4 PH stainless steel
Dry Connection: Clean, dry, non-corrosive, non-conductive fluids
Natural Frequency: 50,000 Hz @ 5000 psi decreasing logarithmically to 5000 Hz @ 15 psi
Shock: 100 g half-sine wave for an 11 ms duration
Vibration: 35 g peak sinusoidal vibration from 10 Hz to 2 kHz limited to ½" D.A.
Pressure Port: ⅜-20 JIC
Electrical Connection: PTIH10-6P (or equal)
Mating Connector: PT06F10-6S (sold separately)
Weight: 142 g (5 oz) maximum

ULTRA-HIGH-STABILITY DIFFERENTIAL PRESSURE TRANSDUCER



Pins	Functions
A	POSITIVE INPUT
B	POSITIVE OUTPUT
C	NEGATIVE OUTPUT
D	NEGATIVE INPUT
E	SHORTED TO "D"
F	SHORTED TO "C"

Dimensions: mm (inch)



PX1006L1-1.5KDV,
shown actual size.

To Order

Uni-Directional Wet/Dry Thin-Film Differential Pressure Transducer

RANGE		MODEL NO.	COMPATIBLE METERS*
0 to 15 psid	0 to 1.0 bar	PX1006L1-015DV	DP41-S, DP25B-S
0 to 25 psid	0 to 1.7 bar	PX1006L1-025DV	DP41-S, DP25B-S
0 to 50 psid	0 to 3.4 bar	PX1006L1-050DV	DP41-S, DP25B-S
0 to 100 psid	0 to 6.9 bar	PX1006L1-100DV	DP41-S, DP25B-S
0 to 500 psid	0 to 34.5 bar	PX1006L1-500DV	DP41-S, DP25B-S
0 to 1000 psid	0 to 68.9 bar	PX1006L1-1KDV	DP41-S, DP25B-S
0 to 1500 psid	0 to 103 bar	PX1006L1-1.5KDV	DP41-S, DP25B-S
0 to 2000 psid	0 to 138 bar	PX1006L1-2KDV	DP41-S, DP25B-S
0 to 2500 psid	0 to 172 bar	PX1006L1-2.5KDV	DP41-S, DP25B-S
0 to 5000 psid	0 to 345 bar	PX1006L1-5KDV	DP41-S, DP25B-S

Comes complete with 5-point NIST traceable calibration.

* Visit us online for compatible meters.

Metric ranges available – consult Engineering.

Ordering Examples: **PX1006L1-500DV**, 500 psid wet/dry differential pressure transducer with mV/V output and integral connector. **PT06F10-6S**, mating connector (sold separately), **PX1006L1-015DV**, 15 psid wet/dry differential pressure transducer with mV/V output and integral connector. **PT06F10-6S**, mating connector (sold separately).