

# WET/WET LOW DIFFERENTIAL PRESSURE TRANSMITTER

Metric thread adaptors and snubbers available.

**Low Differential Pressure**  
**0-1 to 0-25 inH<sub>2</sub>O**  
**0-250 Pa to 6 kPa**

## PX154 Series



- ✓ Low Differential Pressure Measurements
- ✓ Zero and Span Controls for Easy Adjustment
- ✓ Weatherproof NEMA 4 (IP65) Enclosure
- ✓ For Industrial Applications Requiring Wet/Wet Differential Pressure

### SPECIFICATIONS

**Excitation:** 24 Vdc (18 to 30 Vdc)

**Output:** 4 to 20 mA

**Accuracy:** ±0.75% BFSL

**Zero Balance:** 1%

**Zero and Span Adjustment:** 10%

**Compensated Temp:** 0 to 50°C (32 to 122°F)

**Thermal Effects:**

**Zero:** ±0.03% full scale/°C (±0.05% full scale/°F)

**Span:** ±0.03% rdg/°C (±0.05% rdg/°F)

**Proof Pressure:** 1.3 bar (20 psi)

**Common Line Pressure:** 1.3 bar (20 psi)

**Burst Pressure:** 4 bar (60 psi)

**Pressure Port:** 1/8 FNPT

**Media Compatibility:** Liquids or gases compatible with brass, vinyl, polyester, silica and fluorosilicone

**Termination:** Screw terminal block

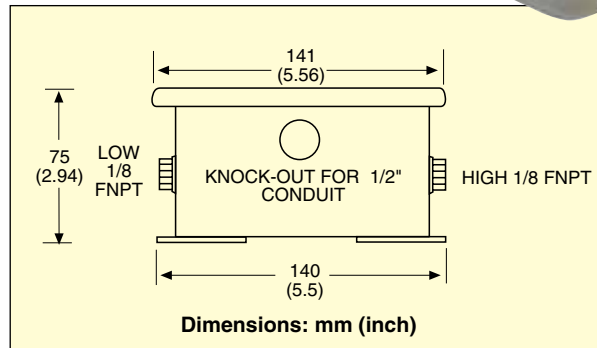
**Enclosure:** Epoxy coated, steel enclosure, NEMA 4 (IP65) rating

**Dimensions:** 141 x 75 x 94 mm (5 5/8 x 2 15/16 x 3 9/16")

**Weight:** 454 g (1.0 lb)



PX154-003DI, shown much smaller than actual size.



PS-8 snubber, sold separately.

### To Order

MODEL NO.	RANGE		COMPATIBLE METERS*
PX154-001DI	0 to 1 inH <sub>2</sub> O	0 to 249 Pa	DP24-E, DP25B-E, DP41-E
PX154-003DI	0 to 3 inH <sub>2</sub> O	0 to 748 Pa	DP24-E, DP25B-E, DP41-E
PX154-005DI	0 to 5 inH <sub>2</sub> O	0 to 1.25 kPa	DP24-E, DP25B-E, DP41-E
PX154-010DI	0 to 10 inH <sub>2</sub> O	0 to 2.49 kPa	DP24-E, DP25B-E, DP41-E
PX154-025DI	0 to 25 inH <sub>2</sub> O	0 to 6.23 kPa	DP24-E, DP25B-E, DP41-E

Comes complete with operator's manual.

\* Visit us online for compatible meters.

### ACCESSORIES

MODEL NO.	DESCRIPTION
PS-8G	Pressure snubber for gaseous media
PS-8E	Pressure snubber for water and light oils
PS-8D	Pressure snubber for dense liquids (motor oil)
TX4-100	30 m (100') spool of 4-conductor shielded wire

**Ordering Examples:** PX154-005DI, low differential pressure transmitter with range of 0 to 5.0 inH<sub>2</sub>O differential.

PX154-001DI, low differential pressure transmitter with range of 0 to 1 inH<sub>2</sub>O.