

IP65 AMPLIFIED VOLTAGE TRANSDUCER FOR HARSH ENVIRONMENTS

PX178 Series
0-100 to 0-2000 psi
0-7 to 0-138 bar

All Ranges
\$295



PS-8G snubber, \$10, sold separately, see Section C.



- ✓ NEMA 12 (IP65) Sealed Construction for Harsh Environments
- ✓ Compact Size for Ease of Use
- ✓ Ideal for Automotive Applications



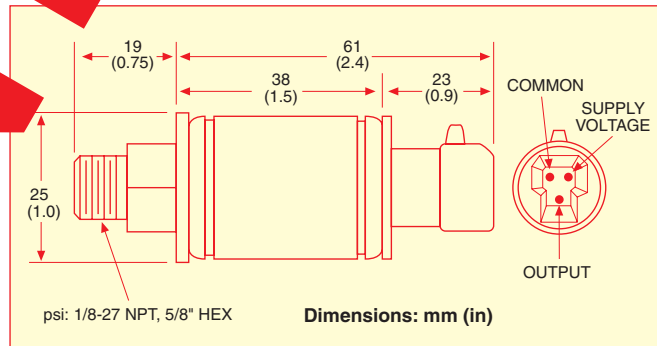
Weather-tight connector included.



PX178-100S5V, shown slightly smaller than actual size.

1/8" NPT Pressure Snubbers \$10 each

- PS-8G = Gas
- PS-4E = Lt Oil
- PS-8D = Dense Lq



SPECIFICATIONS

Excitation: 5 Vdc ± 0.25 Vdc @ 20 mA (regulated)

Output: 0.5 to 4.5 Vdc (ratiometric)

Accuracy: 1% FS (includes repeatability, linearity BFSL and hysteresis)

Zero Balance: 0.5 ± 0.1 Vdc

Span Tolerance: 1%

Operating Temperature: -40 to 105°C (-40 to 221°F)

Compensated Temperature: -18 to 82°C (0 to 180°F)

Thermal Effects: 3% FS total effect (zero and span)

Proof Pressure: 150% FS

Burst Pressure: 5x FS

Min Load Resistance: 20 k Ω

Response Time: 50 Hz

Wetted Parts: Brazed assembly of 300 Series SS and nickel-plated carbon steel

Pressure Port: 1/8" NPT

Electrical Connection: Weather-tight connector included

Weight: 102 g (4 oz)

MOST POPULAR MODELS HIGHLIGHTED!

To Order (Specify Model Number)

RANGE	MODEL NO.	PRICE	COMPATIBLE METERS*
0 to 100 psis 0 to 6.9 bar	PX178-100S5V	\$295	DP25-S, DP41-S
0 to 200 psis 0 to 13.8 bar	PX178-200S5V	295	DP25-S, DP41-S
0 to 500 psis 0 to 34.5 bar	PX178-500S5V	295	DP25-S, DP41-S
0 to 1000 psis 0 to 68.9 bar	PX178-1KS5V	295	DP25-S, DP41-S
0 to 2000 psis 0 to 138 bar	PX178-2KS5V	295	DP25-S, DP41-S

ACCESSORIES

MODEL NUMBER	PRICE	DESCRIPTION
PS-8G	\$10.00	Pressure snubber for gaseous media
PS-8E	10.00	Pressure snubber for water and light oils
PS-8D	10.00	Pressure snubber for dense liquids (motor oil)
TX4-100	28.50	30 m (100') of 4-conductor shielded copper wire

Comes with complete operator's manual.

* See section D for compatible meters.

Ordering Example: PX178-1KS5V, 0 to 1000 psi transducer, \$295.



UNITED STATES

www.omega.com
1-800-TC-OMEGA
Stamford, CT.

CANADA

www.omega.ca
Laval(Quebec)
1-800-TC-OMEGA

GERMANY

www.omega.de
Deckenpfronn, Germany
0800-8266342

UNITED KINGDOM

www.omega.co.uk
Manchester, England
0800-488-488

FRANCE

www.omega.fr
Guyancourt, France
088-466-342

CZECH REPUBLIC

www.omegaeng.cz
Karviná, Czech Republic
596-311-899

BENELUX

www.omega.nl
Amstelveen, NL
0800-099-33-44



More than 100,000 Products Available!

• Temperature

Calibrators, Connectors, General Test and Measurement Instruments, Glass Bulb Thermometers, Handheld Instruments for Temperature Measurement, Ice Point References, Indicating Labels, Crayons, Cements and Lacquers, Infrared Temperature Measurement Instruments, Recorders Relative Humidity Measurement Instruments, RTD Probes, Elements and Assemblies, Temperature & Process Meters, Timers and Counters, Temperature and Process Controllers and Power Switching Devices, Thermistor Elements, Probes and Assemblies, Thermocouples Thermowells and Head and Well Assemblies, Transmitters, Wire

• Flow and Level

Air Velocity Indicators, Doppler Flowmeters, Level Measurement, Magnetic Flowmeters, Mass Flowmeters, Pitot Tubes, Pumps, Rotameters, Turbine and Paddle Wheel Flowmeters, Ultrasonic Flowmeters, Valves, Variable Area Flowmeters, Vortex Shedding Flowmeters

• pH and Conductivity

Conductivity Instrumentation, Dissolved Oxygen Instrumentation, Environmental Instrumentation, pH Electrodes and Instruments, Water and Soil Analysis Instrumentation

• Data Acquisition

Auto-Dialers and Alarm Monitoring Systems, Communication Products and Converters, Data Acquisition and Analysis Software, Data Loggers Plug-in Cards, Signal Conditioners, USB, RS232, RS485 and Parallel Port Data Acquisition Systems, Wireless Transmitters and Receivers

• Pressure, Strain and Force

Displacement Transducers, Dynamic Measurement Force Sensors, Instrumentation for Pressure and Strain Measurements, Load Cells, Pressure Gauges, Pressure Reference Section, Pressure Switches, Pressure Transducers, Proximity Transducers, Regulators, Strain Gages, Torque Transducers, Valves

• Heaters

Band Heaters, Cartridge Heaters, Circulation Heaters, Comfort Heaters, Controllers, Meters and Switching Devices, Flexible Heaters, General Test and Measurement Instruments, Heater Hook-up Wire, Heating Cable Systems, Immersion Heaters, Process Air and Duct, Heaters, Radiant Heaters, Strip Heaters, Tubular Heaters