

ECONOMICAL CORROSION RESISTANT PRESSURE TRANSDUCER WITH CURRENT OUTPUT

.305 m (1-ft) Cable with connector included
Optional .91 m (36") and 3.05 m (10') cables available



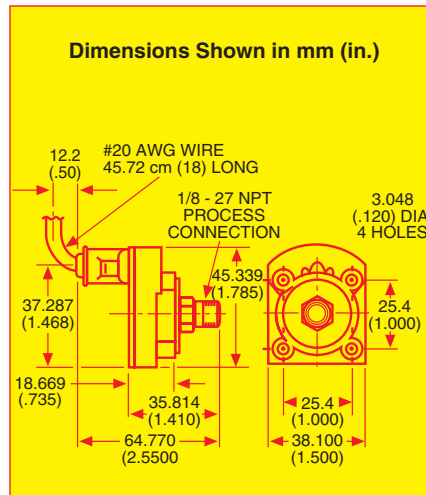
PX182 Series 0-15 to 0-500 psi Ranges

- ✓ Stainless Steel Pressure Port for High Durability
- ✓ Assured 0.3% Accuracy
- ✓ Corrosion Resistant Housing Permits Mounting In Any Environment
- ✓ Operating Temperature Range -40 to 105°C (-40 to 221°F)
- ✓ Extremely Compact, Weighs Only 50 Grams



PX182
All Models
\$225

OMEGA's PX182 Series pressure transducers combine state-of-the-art semiconductor technology and durability resulting in a high accuracy general purpose pressure sensor. The 4 to 20 mA output assures compatibility with most process controllers and computer interface equipment. Applications include engine monitoring and testing, HVAC, compressors, etc. The silicon sensor is bonded on a glass pedestal to isolate it from induced stresses, provide wide media compatibility, and the stainless steel pressure port permits use with corrosive substances. These rugged, compact transducers exhibit 0.3% accuracy and excellent interchangeability.



Not Recommended
For Freon Applications.

SPECIFICATIONS

Excitation: 12 to 25 Vdc
Output: 4 to 20 mA (2-wire)
Accuracy: ±0.3% BFSL includes linearity, repeatability, and hysteresis
Zero Balance: 4 mA +1% span
Operable Temperature Range: -40 to 105°C (-40 to 221°F)
Compensated Temperature Range: -5 to 55°C (23 to 131°F)
Thermal Zero Effect: ±0.5% span
Thermal Span Effect: ±0.5% span
Proof Pressure: lessor of 2 x full scale or 750 psi max
Burst Pressure: lessor of 3 x full scale or 750 psi max
Gages: Laser trimmed semiconductor
Wetted Parts: Stainless steel, glass, silicon, Fluorosilicon
Pressure Port: 1/8-27 NPT stainless steel fitting
Stability: ±1% full scale output/year
Shock: 500 g
Vibration: 10 g, 10 to 2000 Hz
Response Time: <5 ms
Electrical Connection: 30.48 cm (12"), 20 AWG, 3 conductor shielded wire with self sealing connector
Weight: 50 grams (1.8 oz)

MOST POPULAR MODELS HIGHLIGHTED

To Order (Specify Model Number)

RANGE (psi)	MODEL NO.	PRICE	COMPATIBLE METERS
0 to 15 psig	PX182-015GI	\$225	DP41-E, DP25-E, DP24-E
0 to 30 psig	PX182-030GI	225	DP41-E, DP25-E, DP24-E
0 to 60 psig	PX182-060GI	225	DP41-E, DP25-E, DP24-E
0 to 100 psig	PX182-100GI	225	DP41-E, DP25-E, DP24-E
0 to 200 psig	PX182-200GI	225	DP41-E, DP25-E, DP24-E
0 to 300 psig	PX182-300GI	225	DP41-E, DP25-E, DP24-E
0 to 500 psig	PX182-500GI	225	DP41-E, DP25-E, DP24-E

Ordering Example: PX182-100GI has a 4 to 20 mA output with a range of 0 to 100 psig, \$225.





UNITED STATES

www.omega.com
1-800-TC-OMEGA
Stamford, CT.

CANADA

www.omega.ca
Laval(Quebec)
1-800-TC-OMEGA

GERMANY

www.omega.de
Deckenpfronn, Germany
0800-8266342

UNITED KINGDOM

www.omega.co.uk
Manchester, England
0800-488-488

FRANCE

www.omega.fr
Guyancourt, France
088-466-342

CZECH REPUBLIC

www.omegaeng.cz
Karviná, Czech Republic
596-311-899

BENELUX

www.omega.nl
Amstelveen, NL
0800-099-33-44



More than 100,000 Products Available!

• Temperature

Calibrators, Connectors, General Test and Measurement Instruments, Glass Bulb Thermometers, Handheld Instruments for Temperature Measurement, Ice Point References, Indicating Labels, Crayons, Cements and Lacquers, Infrared Temperature Measurement Instruments, Recorders Relative Humidity Measurement Instruments, RTD Probes, Elements and Assemblies, Temperature & Process Meters, Timers and Counters, Temperature and Process Controllers and Power Switching Devices, Thermistor Elements, Probes and Assemblies, Thermocouples Thermowells and Head and Well Assemblies, Transmitters, Wire

• Flow and Level

Air Velocity Indicators, Doppler Flowmeters, Level Measurement, Magnetic Flowmeters, Mass Flowmeters, Pitot Tubes, Pumps, Rotameters, Turbine and Paddle Wheel Flowmeters, Ultrasonic Flowmeters, Valves, Variable Area Flowmeters, Vortex Shedding Flowmeters

• pH and Conductivity

Conductivity Instrumentation, Dissolved Oxygen Instrumentation, Environmental Instrumentation, pH Electrodes and Instruments, Water and Soil Analysis Instrumentation

• Data Acquisition

Auto-Dialers and Alarm Monitoring Systems, Communication Products and Converters, Data Acquisition and Analysis Software, Data Loggers Plug-in Cards, Signal Conditioners, USB, RS232, RS485 and Parallel Port Data Acquisition Systems, Wireless Transmitters and Receivers

• Pressure, Strain and Force

Displacement Transducers, Dynamic Measurement Force Sensors, Instrumentation for Pressure and Strain Measurements, Load Cells, Pressure Gauges, Pressure Reference Section, Pressure Switches, Pressure Transducers, Proximity Transducers, Regulators, Strain Gages, Torque Transducers, Valves

• Heaters

Band Heaters, Cartridge Heaters, Circulation Heaters, Comfort Heaters, Controllers, Meters and Switching Devices, Flexible Heaters, General Test and Measurement Instruments, Heater Hook-up Wire, Heating Cable Systems, Immersion Heaters, Process Air and Duct, Heaters, Radiant Heaters, Strip Heaters, Tubular Heaters