

RANGEABLE WET/WET DIFFERENTIAL PRESSURE TRANSMITTER



10:1 Turndown in 4 steps
Maximum Ranges 50 to 250 psi
(3.4 to 17 bar)
0 to 5 Vdc, 1 to 5 Vdc,
0 to 10 Vdc, 4 to 20 mA (2-Wire)

PX2310 Series



- ✓ Each Model has 4 Unidirectional and 4 Bi-Directional Ranges
- ✓ 4 Selectable Outputs, 0 to 5 Vdc, 1 to 5 Vdc, 0 to 10 Vdc, 4 to 20 mA (2-Wire)
- ✓ Jumper Selectable Hi/Lo Ports
- ✓ 4-Digit LCD can Show Either Line or Differential Pressure
- ✓ Pushbutton or Remote Zero
- ✓ Rugged NEMA 4 Cast Aluminum Housing

Applications

- ✓ Energy Management Systems
- ✓ Process Control Systems
- ✓ Flow Measurement
- ✓ Liquid Level
- ✓ Pressure Drops Across Filters

The PX2310 offers the user unprecedented flexibility allowing field selection of range, type of output and field zeroing. The user can also select which port is hi and lo via jumpers. The 4-digit display can also be set to read either line pressure or differential pressure. The entire package is rugged cast aluminum with a NEMA 4 rating and the solid state sensor offers excellent accuracy, stability, and low long term drift.



PX2310, shown smaller than actual size.

SPECIFICATIONS

Accuracy RSS Ranges A, B & C: $\pm 1.0\%$
Full Scale; Range D:
 $\pm 2.0\%$ RSS full scale

Storage Temperature: -20 to 85°C
(-4 to 185°F)

Operating Temperature: -20 to 85°C
(-4 to 185°F) (Limits of Electronics only)

Compensated Range: 0 to 54°C
(32 to 130°F)

Zero Shift (Over Compensated Range): 2.0% full scale

Span Shift (Over Compensated Range): 2.0% full scale

Response Time: 1 to 5 seconds, selectable

Proof Pressure: 2.2 x full scale

Burst Pressure: 40 x full scale

Vibration: 10 g from 50 to 2000 Hz

Shock: 200 g

Excitation: 12 to 30 Vdc @ 5 mA (typical)/18 to 28 Vac 40 mA (typical) (reverse polarity protected)

Output User Selectable:

Voltage: 0 to 5 Vdc, 0 to 10 Vdc, 1 to 5 Vdc 3-wire system

Current: 4 to 20 mA 2-wire system (0 to 1000 Ω load)

Minimum Supply Voltage:

Vdc = 12 + 0.2 x loop resistance

Maximum Supply Voltage:

Vdc = 30 + 0.004 x loop resistance

Electrical Connection: 1/2 in conduit

Pressure Connection: 1/8-18 NPT internal

Sensor Cavity Volume: 0.2 cc

Case: Die cast aluminum, powder coated

Environmental Protection: NEMA 4

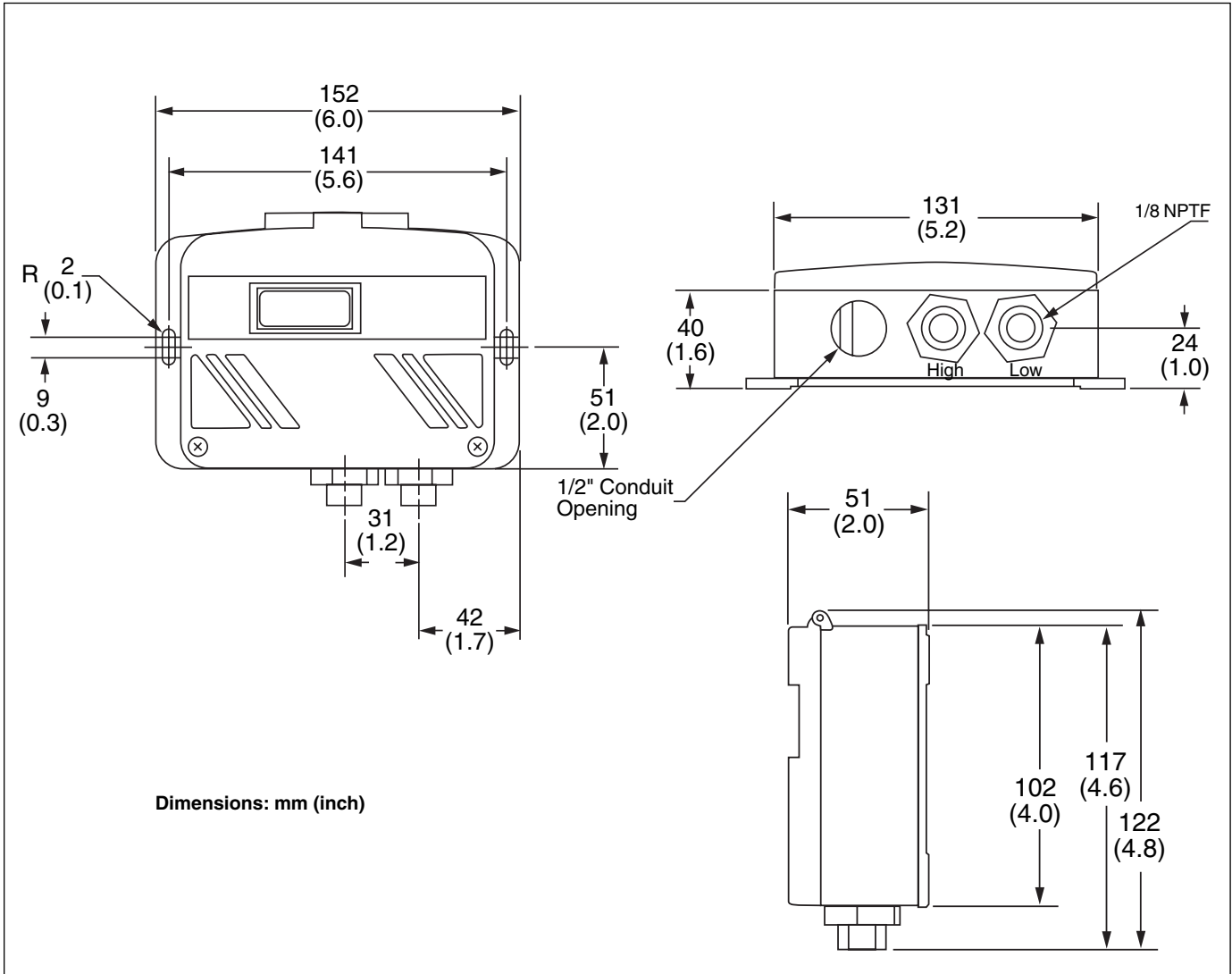
Wetted Parts: 17-4 PH stainless steel

(not recommended for hydrogen)

Dimensions:

102 L x 152 W x 51 mm diameter (4.0 x 6 x 2")

Weight: 0.7 kg (25 oz)



Dimensions: mm (inch)



DP25B-E shown smaller than actual size. For details visit omega.com/dp25b

To Order					
MODEL NUMBER	USER SELECTABLE RANGES psi				MAXIMUM LINE PRESSURE psi
	A	B	C	D	
PX2310-050DX	0 to 50 (±50)	0 to 20 (±20)	0 to 10 (±10)	0 to 5 (±5)	50
PX2310-100DX	0 to 100 (±100)	0 to 50 (±50)	0 to 20 (±20)	0 to 10 (±10)	100
PX2310-250DX	0 to 250 (±250)	0 to 125 (±125)	0 to 50 (±50)	0 to 25 (±25)	250

Comes complete with operator's manual.

Ordering Examples: **PX2310-050DX**, rangeable differential pressure transmitter with selectable voltage or current output, maximum range 50 psi, minimum range 5 psi.

PX2310-250DX, rangeable differential pressure transmitter with selectable voltage or current output, maximum range 250 psi, minimum range 25 psi.