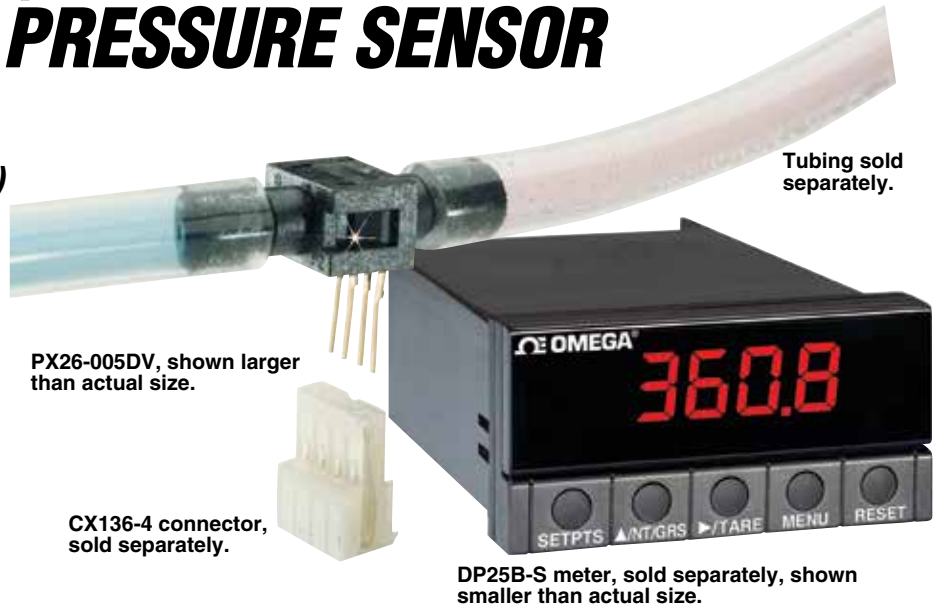


# LOW-COST WET/WET GAGE OR OMEGA™ DIFFERENTIAL PRESSURE SENSOR

0-1 to 0-250 psi (0-0.07 to 17.2 bar)  
Gage and Differential

## PX26 Series

- ✓ Water and Many Other Liquids Can be Applied to Both Sides
- ✓ Gage and Differential Models Available
- ✓ Miniature PC Board Mount Design



Tubing sold separately.

PX26-005DV, shown larger than actual size.

CX136-4 connector, sold separately.

DP25B-S meter, sold separately, shown smaller than actual size.

Omega's PX26 Series pressure sensors feature state-of-the-art silicon technology that permits both sides of the diaphragm to handle liquids. A unique conductive seal between the silicon diaphragm and the plastic housing allows for wet/wet applications and lower production costs than typical gold wire silicon sensors. This new construction has a larger diaphragm than traditional silicon sensors, resulting in increased long-term stability.

### SPECIFICATIONS

**Excitation:** 10 Vdc, 16 Vdc max @ 2 mA

**Output (@ 10 Vdc):** 1 psi = 16.7 mV;  
5 psi = 50 mV; >5 psi = 100 mV;  
250 psi = 150 mV

**Linearity:** ±0.25% FS BFSL typical  
(±1% maximum) P2 > P1

**Hysteresis and Repeatability:** 0.2% FS

**Zero Balance:** ±1.5 mV

**Span Tolerance:** ±3.0 mV

**1-Year Stability:** 0.5% FS

**Operating Temperature:** -40 to 85°C  
(-40 to 185°F)

**Compensated Temperature:** 0 to 50°C  
(32 to 122°F)

**Thermal Effects:**

**Zero:** 1 mV

**Span:** 1% rdg

**Proof Pressure:** 20 psi for ≤5 psi range;  
45 psi for 15 psi; 60 psi for 30 psi;  
200 psi for 100 psi

**Input Resistance:** 7.5 kΩ

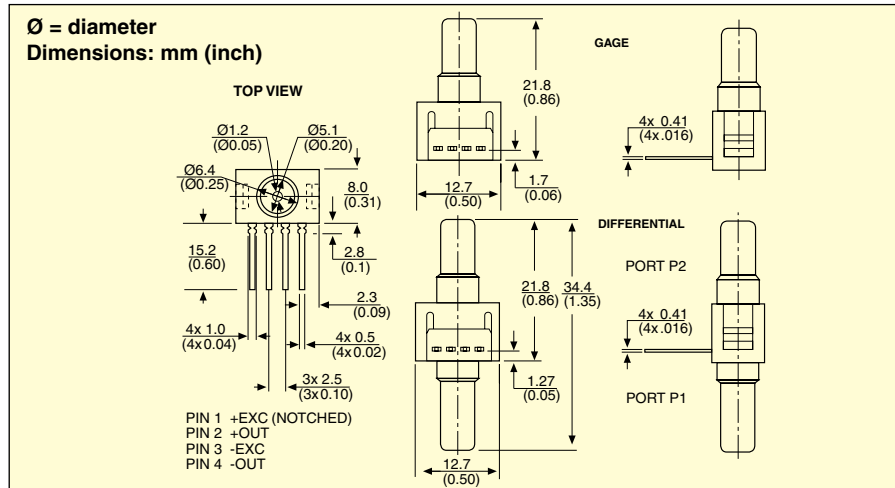
**Output Resistance:** 2.5 kΩ

**Response Time:** 1 ms

**Gage Type:** Silicon sensor

**Wetted Parts:** Polyethimide, silicon,  
fluorosilicone

**Weight:** 2 g (0.07 oz)



### To Order

| RANGE    |           | MODEL NO.  | COMPATIBLE METERS        |
|----------|-----------|------------|--------------------------|
| psig     | bar       |            |                          |
| 0 to 1   | 0 to 0.07 | PX26-001GV | DP25B-S, DP460-S, DP41-S |
| 0 to 5   | 0 to 0.34 | PX26-005GV | DP25B-S, DP460-S, DP41-S |
| 0 to 15  | 0 to 1.0  | PX26-015GV | DP25B-S, DP460-S, DP41-S |
| 0 to 30  | 0 to 2.1  | PX26-030GV | DP25B-S, DP460-S, DP41-S |
| 0 to 100 | 0 to 6.9  | PX26-100GV | DP25B-S, DP460-S, DP41-S |
| 0 to 250 | 0 to 17.2 | PX26-250GV | DP25B-S, DP460-S, DP41-S |
| ±1       | ±0.07     | PX26-001DV | DP25B-S, DP460-S, DP41-S |
| ±5       | ±0.34     | PX26-005DV | DP25B-S, DP460-S, DP41-S |
| ±15      | ±1.0      | PX26-015DV | DP25B-S, DP460-S, DP41-S |
| ±30      | ±2.1      | PX26-030DV | DP25B-S, DP460-S, DP41-S |
| ±100     | ±6.9      | PX26-100DV | DP25B-S, DP460-S, DP41-S |
| ±250     | ±17.2     | PX26-250DV | DP25B-S, DP460-S, DP41-S |

### ACCESSORIES

| MODEL NO. | DESCRIPTION   |
|-----------|---|
| CX136-4   | 4-pin mating connector  |
| TX4-100   | 4-conductor copper wire, 30.5 m (100')                        |
| TY316-100 | Flexible plastic tubing, 30.5 m (100') ID = 3/16", OD = 5/16" |

Comes complete with operator's manual.

Ordering Example: PX26-030DV, bi-directional range of ±30 psid.