

# RANGEABLE VERY LOW DIFFERENTIAL PRESSURE TRANSMITTER



**10:1 Turndown in 4 Steps**  
**Ranges 0 to 1 or 0 to 10 inH<sub>2</sub>O**  
**0 to 250 Pa or 0 to 2.5 kPa**  
**(3.4 to 17 bar)**  
**0 to 5 Vdc, 0 to 10 Vdc,**  
**4 to 20 mA (2-Wire)**

## PX2600 Series



- ✓ Each Model has 4 Unidirectional and 4 Bi-Directional Ranges
- ✓ 3 Selectable Outputs, 0 to 5 Vdc, 0 to 10 Vdc, 4 to 20 mA (2-Wire)
- ✓ Pushbutton or Remote Zero
- ✓ 4-Digit LCD can Show Either Static or Differential Pressure
- ✓ Durable Glass Filled Polyester Case

## Applications

- ✓ Building Energy Management Systems
- ✓ Process Control Systems
- ✓ Pressure Drops Across Ductwork

The PX2600 transducers can output either static (gage) pressure or differential pressure. Standard features include range selection, output type and field zeroing. The 4-digit display can also be set to read either static pressure or differential pressure. A rugged stainless steel sensor offers excellent accuracy, stability, and low long term drift and the durable fire retardant glass filled polyester case provide long life in building management environments. A high accuracy microprocessor assures range to range accuracy and performance.



PX2600-001DX, shown smaller than actual size.

## SPECIFICATIONS

**Accuracy (All Ranges):**  $\pm 1.0\%$  RSS full scale (RSS includes linearity, hysteresis and repeatability) (calibrated in verticle 0g position)

**Position Effect:** Zero offset 0.2% full scale/g

**Operating Temperature:** 0 to 50°C (32 to 122°F)

**Compensated Range:** 0 to 54°C (32 to 130°F)

**Zero/Span Shift (Over Compensated Range):** 3% full scale

**Maximum Line Pressure:** 10 psi

**Overpressure:** Up to 10 psi (range dependent)

**Long Term Stability:** 2.0%/full scale/year

**Zero and Span:** Pushbutton selection

**Excitation (Voltage Out):** 13 to 30 Vdc @ 5 mA (typical)/18 to 28 Vac, 40 mA (typical)

**Field Selectable Voltage:** 0 to 5 Vdc, 0 to 10 Vdc 3-wire system

**Output Impedance:** 300  $\Omega$

**Excitation (Current Out):** 24 Vdc

**Field Selectable Current:** 4 to 20 mA 2-wire system (0 to 800  $\Omega$  load)

**Bi-Directional Voltage at Zero:** 2.5V for 0 to 5 Vdc or 5V for 0 to 10 Vdc

**Bi-Directional Current at Zero:** 12 mA

**Full Scale Span Setting:**  $\pm 1\%$

**Electrical Connection:** Removeable screw terminal block

**Pressure Connection:**  $\frac{3}{16}$  OD barbed brass tube fittings

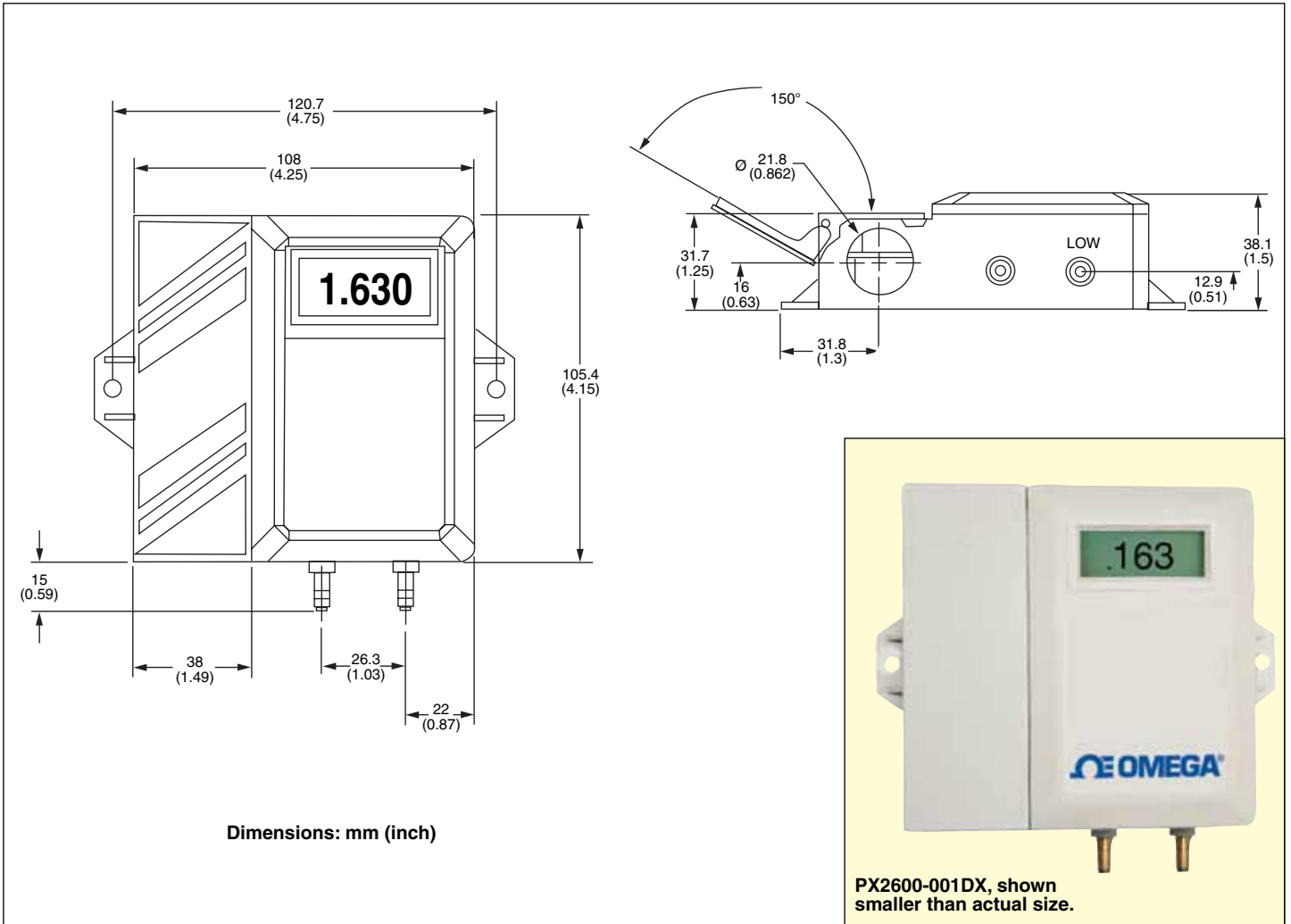
**Case:** Fire-retardant glass filled polyester (UL94 V-O approved)

**Mounting:** Two external screw holes (verticle position)

**Pressure Media:** Air or similar non-conductive gas

**Dimensions:** 105 L x 108 W x 38 mm diameter (4.15 x 4.75 x 1.5")

**Weight:** 225 g (8 oz)



**To Order**

MODEL NUMBER	USER SELECTABLE RANGES				UNITS
	A	B	C	D	
PX2600-001DX	0 to 1.0 (±1)	0 to 0.5 (±0.5)	0 to 0.25 (±0.25)	0 to 0.1 (±0.1)	inH <sub>2</sub> O
PX2600-010DX	0 to 10 (±10)	0 to 5.0 (±5.0)	0 to 2.5 (±2.5)	0 to 1.0 (±1.0)	inH <sub>2</sub> O
PX2600-250DX	0 to 250 (±250)	0 to 100 (±100)	0 to 50 (±50)	0 to 25 (±25)	Pa
PX2600-2.5KDX	0 to 2.5 (±2.5)	0 to 1.00 (±1.00)	0 to 0.50 (±0.50)	0 to 0.25 (±0.25)	kPa

Comes complete with operator's manual.

**Ordering Examples:** PX2600-001DX, rangeable low differential pressure transmitter with selectable voltage or current output, maximum range 1.0 inH<sub>2</sub>O, minimum range 0.1 inH<sub>2</sub>O.

PX2600-250DX, rangeable low differential pressure transmitter with selectable voltage or current output, maximum range 250 Pa, minimum range 25 Pa.