

# TRIPLE-RANGE PRESSURE TRANSDUCER WITH NEMA 4 (IP65) ENCLOSURE

0-25 to 0-500 psi



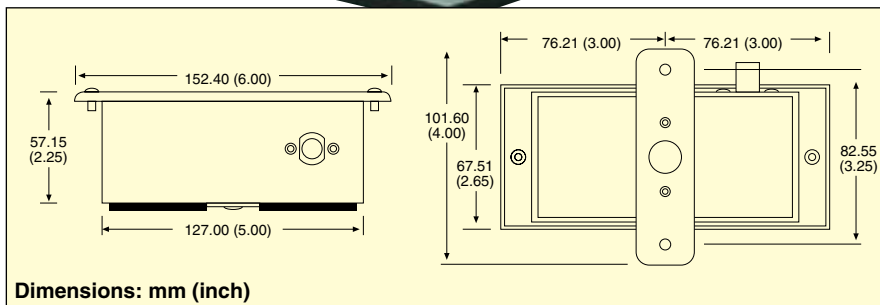
PX265-300G5V, shown slightly smaller than actual size.

## PX265 Series



- ✓ 3 Field-Selectable Ranges in a Single Unit
- ✓ Rugged NEMA 4 (IP65) Enclosure with External Mounting Bracket
- ✓ Rugged 316L Stainless Steel Monolithic Pressure Cavity
- ✓ Short Circuit and Reverse Polarity Protected

The PX265 is a rugged industrial pressure transducer that offers 3 field-selectable ranges in one unit. It features a 316L stainless steel pressure cavity that is machined from a solid rod, eliminating any welds, seams, or bonds. The PX265 incorporates a NEMA 4 (IP65) dust-proof and splashproof enclosure with an external mounting bracket.



### SPECIFICATIONS

**Excitation:** 12 to 35 Vdc  
**Output:** 0 to 5 or 0 to 10 Vdc selectable  
**Accuracy:**  $\pm 1.0\%$  FS  
**Operating Temperature:** -18 to 82°C (0 to 180°F)  
**Compensated Temperature:** -18 to 82°C (0 to 180°F)  
**Thermal Effects:** 0.3% FS/°C ( $\pm 0.025\%$  FS/°F)

**Proof Pressure:** 300% FS  
**Burst Pressure:** 500% FS  
**Wetted Parts:** 316L stainless steel  
**Pressure Port:** 1/8-27 NPT female  
**Termination:** Screw terminal block  
**Enclosure:** Enamel coated, 18 GA steel, NEMA 4 (IP65) rated  
**Weight:** 454 g (1.0 lb)

### To Order

MODEL NO.	SELECTABLE RANGES (psig)	COMPATIBLE METERS*
PX265-100G5V	0 to 100, 0 to 50, 0 to 25	DP24-E, DP25B-E, DP41-E
PX265-300G5V	0 to 300, 0 to 150, 0 to 75	DP24-E, DP25B-E, DP41-E
PX265-500G5V	0 to 500, 0 to 250, 0 to 125	DP24-E, DP25B-E, DP41-E

Comes complete with operator's manual.

\* Visit us online for compatible meters.

**Ordering Example:** PX265-300G5V, pressure transducer with user-selectable ranges of 0 to 300, 0 to 150 and 0 to 75 psig.