

OEM STYLE DIFFERENTIAL PRESSURE TRANSDUCER WITH FIELD-SELECTABLE RANGES

Current or Voltage Output

PX275 Series



- ✓ Up to 6 Field-Selectable Ranges in a Single Unit
- ✓ Rugged Panel Mount Chassis
- ✓ Up to 10 psid Overpressure Without Zero Shift

The PX275 is a rugged differential pressure transmitter that offers up to 6 field-selectable ranges in one unit. It incorporates a rugged, steel panel-mount chassis and is ideal for OEM applications.

SPECIFICATIONS

Excitation:

4 to 20 mA: 12 to 40 Vdc
5 to 10 V: 12 to 35 Vdc

Output: 4 to 20 mA (2 wire); 0 to 5 or 0 to 10 Vdc

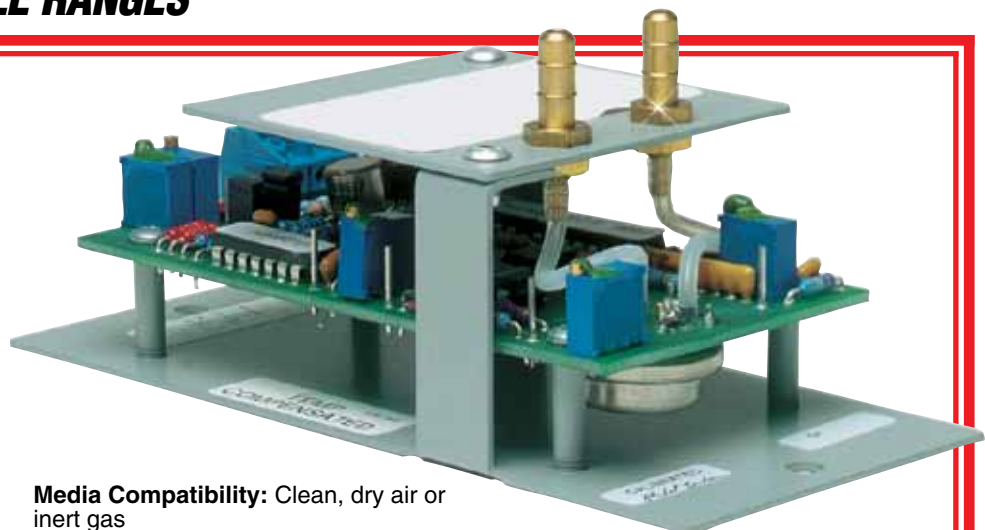
Accuracy: ±1.0% FS

Operating Temp: -18 to 80°C (0 to 175°F)

Compensated Temp: -4 to 65°C (25 to 150°F)

Thermal Effects: 0.02% FS/°C (±0.0125% FS/°F)

Proof Pressure: 10 psi



PX275-01DI, shown smaller than actual size.

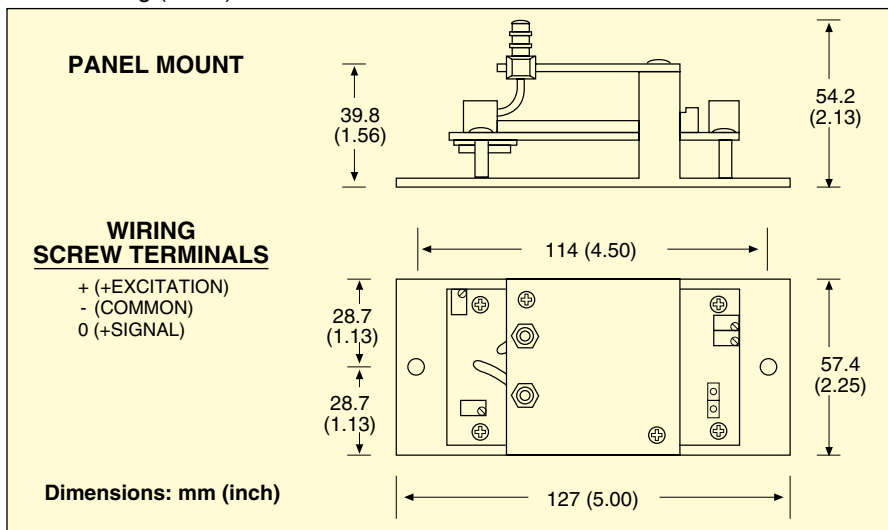
Media Compatibility: Clean, dry air or inert gas

Pressure Fittings: 0.2" hose barsbs [use 0.188" (3/16") flexible tubing]

Termination: Screw terminal block

Enclosure: Enamel coated, 18GA steel, panel mount chassis.

Weight: PX278: 454 g (1 lb)
PX275: 250 g (0.5 lb)



To Order

CURRENT MODEL NO.	VOLTAGE MODEL NO.	SELECTABLE RANGES (inH ₂ O)	COMPATIBLE METERS*
PX275-0.1DI	PX278-0.1D5V	0 to 0.1, -0.05 to +0.05	DP24-E, DP25B-E, DP41B-E
PX275-01DI	PX278-01D5V	0 to 1.0, 0 to 0.5, 0 to 0.25 -0.5 to 0.5, -0.25 to 0.25, -0.125 to 0.125	DP24-E, DP25B-E, DP41B-E
PX275-05DI	PX278-05D5V	0 to 5.0, 0 to 2.5, 0 to 1.25 -2.5 to 2.5, -1.25 to 1.25, -0.625 to 0.625	DP24-E, DP25B-E, DP41B-E
PX275-30DI	PX278-30D5V	0 to 30, 0 to 15, 0 to 7.5, -15 to 15, -7.5 to 7.5, -3.75 to 3.75	DP24-E, DP25B-E, DP41B-E

Comes complete with operator's manual.

* Visit us online for compatible meters.

Ordering Examples: PX275-0.1DI, current output pressure transmitter with user-selectable ranges of 0 to 0.1 and -0.05 to 0.05 inH₂O.
PX278-05D5V, voltage output pressure transmitter with user-selectable ranges between ±0.625 inH₂O and 0 to 5 inH₂O.