

# DUCT PRESSURE TRANSMITTER WITH FIELD-SELECTABLE RANGES

0-1.25 to 0-15 inH<sub>2</sub>O

## PX276 Series



DP25B-E meter,  
sold separately,  
visit us online

PX276-05GI,  
shown much smaller  
than actual size.

- ✓ Duct Pressure Transducer and Static Pressure Probe Integrated as One Unit
- ✓ Up to 3 Field-Selectable Ranges in a Single Unit
- ✓ Rugged NEMA 4 (IP65) Enclosure with External Mounting Bracket
- ✓ NIST-Traceable Calibration Included
- ✓ Short Circuit and Reverse Polarity Protected

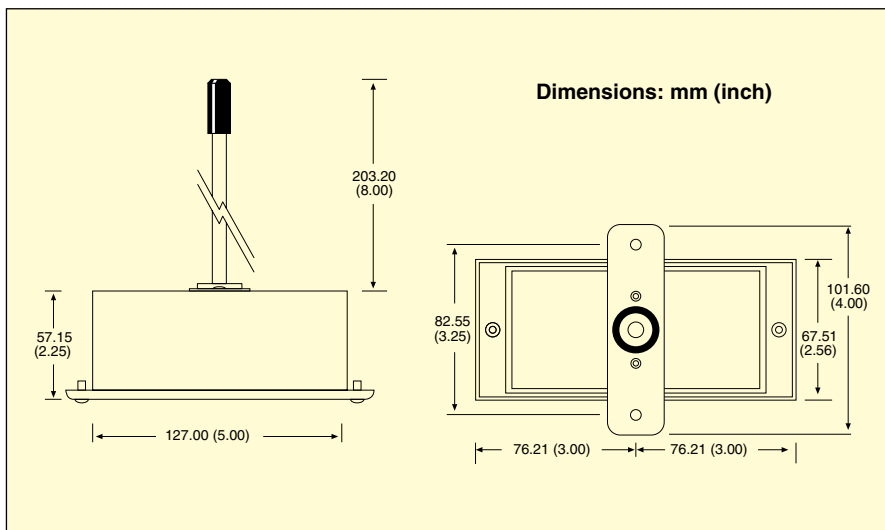
**Media Compatibility:** Clean, dry air or inert gas

**Termination:** Screw terminal block

**Enclosure:** Enamel-coated, 18 GA steel enclosure with 6061T aluminum probe; NEMA 4 (IP65) rating

**Weight:** 454 g (1.0 lb)

The PX276 is a rugged duct pressure transmitter that offers up to 3 field-selectable ranges in one unit. The PX276 incorporates a NEMA 4 (IP65) enclosure and a static pressure probe in one unit for ease of installation and accurate static duct pressure readings.



## SPECIFICATIONS

**Excitation:** 12 to 40 Vdc

**Output:** 4 to 20 mA (2 wire)

**Accuracy:** ±1.0% FS

**Operating Temperature:**

-18 to 80°C (0 to 175°F)

**Compensated Temperature:**

-4 to 65°C (25 to 150°F)

**Thermal Effects:** 0.02%/°C

(±0.0125% FS/°F)

**Proof Pressure:** 10 psi

## To Order

MODEL NO.	SELECTABLE RANGES (inH <sub>2</sub> O)	COMPATIBLE METERS*
PX276-05GI	0 to 5.0, 0 to 2.5, 0 to 1.25	DP24-E, DP25B-E, DP41-E
PX276-15GI	0 to 15.0, 0 to 7.5, 0 to 3.75	DP24-E, DP25B-E, DP41-E

Comes complete with operator's manual and NIST traceable calibration certificate.

\* Visit us online for compatible meters.

**Ordering Example:** PX276-15GI, duct pressure transmitter with user-selectable ranges of 0 to 15, 0 to 7.5 and 0 to 3.75 inH<sub>2</sub>O.