

DIFFERENTIAL PRESSURE TRANSMITTER WITH FIELD-SELECTABLE RANGES

Current or Voltage Output

PX274/277 Series

- ✓ Up to 6 Field-Selectable Ranges in a Single Unit
- ✓ Rugged NEMA 4 (IP65) Enclosure with External Mounting Bracket
- ✓ Up to 10 psid Overpressure Without Zero Shift
- ✓ Short Circuit and Reverse Polarity Protected

The PX274 is a rugged differential pressure transmitter that offers up to 6 field-selectable ranges in one unit. It incorporates a rugged NEMA 4 (IP65) dust-proof and splashproof enclosure with an external mounting bracket.

SPECIFICATIONS

Excitation:

PX274: 12 to 40 Vdc

PX277: 12 to 35 Vdc

Output:

PX274: 4 to 20 mA (2 wire)

PX277: 0 to 5 or 0 to 10 Vdc

Accuracy: ±1.0% FS

Operating Temp:

-18 to 80°C (0 to 175°F)



PX277-05D5V, shown smaller than actual size.

Compensated Temp:

-4 to 65°C (25 to 150°F)

Thermal Effects:

0.02% FS/°C (±0.0125%/°F)

Proof Pressure: 10 psi

Media Compatibility:

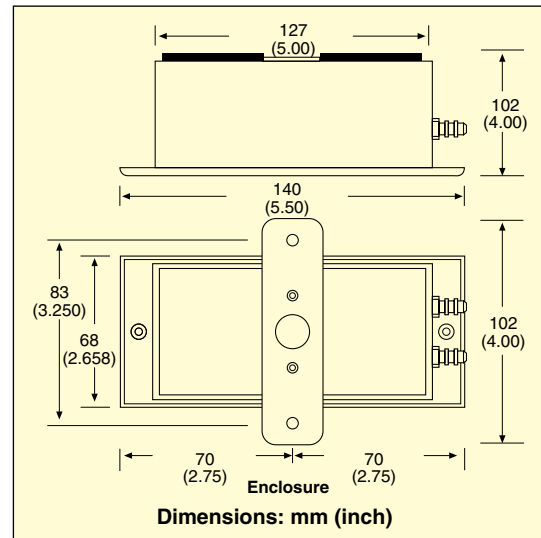
Clean, dry air or inert gas

Pressure Fittings: 0.2" hose barbs (use 3/16" flexible tubing)

Termination: Screw terminal

Enclosure: Enamel coated, 18 GA steel, NEMA 4 (IP65) rated

Weight: 454 g (1.0 lb)



To Order

| CURRENT MODEL NO. | VOLTAGE MODEL NO. | SELECTABLE RANGES (inH ₂ O) | COMPATIBLE METERS |
|-------------------|-------------------|---|-------------------------|
| PX274-0.1DI | PX277-0.1D5V | 0 to 0.1, -0.05 to +0.05 | DP24-E, DP25B-E, DP41-E |
| PX274-01DI | PX277-01D5V | 0 to 1.0, 0 to 0.5, 0 to 0.25 -0.5 to 0.5, -0.25 to 0.25, -0.125 to 0.125 | DP24-E, DP25B-E, DP41-E |
| PX274-05DI | PX277-05D5V | 0 to 5.0, 0 to 2.5, 0 to 1.25 -2.5 to 2.5, -1.25 to 1.25, -0.625 to 0.625 | DP24-E, DP25B-E, DP41-E |
| PX274-30DI | PX277-30D5V | 0 to 30, 0 to 15, 0 to 7.5, -15 to 15, -7.5 to 7.5, -3.75 to 3.75 | DP24-E, DP25B-E, DP41-E |

ACCESSORY

| MODEL NO. | DESCRIPTION |
|-------------|--|
| PX270-PROBE | Static pressure probe 101.6 mm (4") length |

Comes complete with operator's manual.

Ordering Examples: PX274-0.1DI, current output pressure transmitter with user-selectable ranges of 0 to 0.1 and -0.05 to 0.05 inH₂O.
PX277-05D5V, voltage output pressure transmitter with user-selectable ranges between ±0.625 inH₂O and 0 to 5 inH₂O.