

NEMA 4 (IP65) CASE LOW DIFFERENTIAL PRESSURE TRANSMITTERS ZERO OFFSET

PX292 Series
0-0.1 inH₂O to 0-30 psid
0-25 Pa to 0-2 bar

Starts at
\$281



PX292-0.2WDI, \$281, shown smaller than actual size.

- ✓ Current Output
- ✓ Low Power Consumption
- ✓ No Moving Parts to Wear
- ✓ Position Insensitive
- ✓ Reliable Long-Term Stability
- ✓ NEMA 4 (IP65) Cast Aluminum Case

Applications:

- ✓ Clean Room Pressures
- ✓ Filters Differentials
- ✓ Static Fan Pressures
- ✓ Variable-Volume Air Systems
- ✓ Velocity Pressures
- ✓ Bubbler Level
- ✓ Fume Hood
- ✓ Draft Measurements

The PX292 Series of differential pressure transmitters is designed to measure low pressures while using little power. A selection of ranges is available to meet most industrial and laboratory applications. The transmitters are housed in a rugged, gasketed, cast-aluminum case that's designed to NEMA 4 and IP65 standards. Wall-mounting holes are in the casting. The terminals are accessed through ½" conduit knockouts on the front of the box. There are no moving parts and the transmitters are

virtually position insensitive. The span and zero settings are made via 20-turn potentiometers for easy, precise adjustments. The pressure sensing element is a differential capacitive cell for the low pressure ranges from 0.1 to 5 inH₂O and a piezoresistive chip for ranges above 5 inH₂O. Both sensors ensure reliability and long-term stability.

SPECIFICATIONS

General: Measures differential, gage pressure or vacuum
Excitation: 11 to 32 Vdc reverse polarity protected
Current Output: 4 to 20 mA, output limited to approximately 3.85 mA at low end and 27 mA at high end
Maximum Current Loop Resistance: $R_L = (V_S - 11) \times 50$
Accuracy: ±1% includes linearity, hysteresis
Calibration: NIST traceable
Operating Temperature: 0 to 45°C (32 to 115°F)
Temperature Effects:
 Zero: ±0.05%/°C
 Span: ±0.02%/°C
Operating Humidity Range: 10 to 90% non-condensing
Shock Resistance: 10 g (11 ms)
Vibration Resistance: 5 g to 50 Hz
Overpressure: See order chart for maximum safe momentary overpressure
Media Compatibility: Suitable for air or inert gas

Pressure Connection: ⅝" Dia. tube connections with integral filters at both ports. Suitable for ⅜" ID Tygon® or polyurethane tubing (3-4 mm) or ¼" OD polyethylene tubing (6 mm).

Electrical Connection: Pluggable terminal block for 14 to 26 AWG

Case Material: Aluminum alloy #A380 with black epoxy coating

Dimensions: 90 W x 115 L x 55 mm H (3.56 x 4.54 x 2.18")

Weight: 576 g (1.27 lb)

OFFSET OPTIONS

If the measured differential pressure is expected to go from positive to negative, a transmitter with offset (elevated zero) should be ordered. The standard models in the order chart have no offset (i.e., at zero differential pressure, the output is 0 Vdc or 4 mA).

Two offset options are available:

"A" ¼ Span Offset

At zero differential pressure, the output is 1.25 Vdc or 8 mA. Allowable Pressure Excursion: -33% to 100% of range

"B" ½ Span Offset

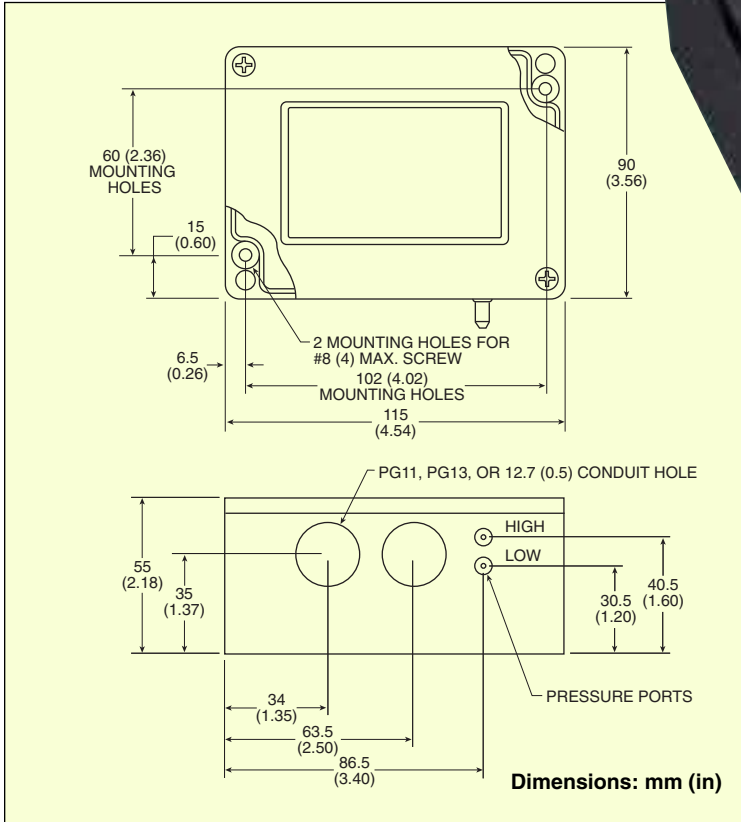
At zero differential pressure, the output is 2.5 Vdc or 12 mA. Allowable Pressure Excursion: -100% to 100% of range

PX292-001WDI-B will have a range of +1" water at 20 mA and -1" water at 4 mA.

NEMA 4 CASE LOW DIFFERENTIAL PRESSURE TRANSMITTERS



PX292-0.2WDI, \$281, shown smaller than actual size.



See Section Y for a Selection of Scientific, Technical, and Reference Books Available from omega.com

MOST POPULAR MODELS HIGHLIGHTED!

To Order (Specify Model Number)

RANGE		4 TO 20 mA OUTPUT	PRICE	MAX* OVERPRESSURE		COMPATIBLE METERS**
0 to 0.1 inH ₂ O	0 to 25 Pa	PX292-0.1WDI	\$296	5 inH ₂ O	1.25 kPa	DP41-E, DP25B-E, DP24-E
0 to 0.2 inH ₂ O	0 to 50 Pa	PX292-0.2WDI	281	5 inH ₂ O	1.25 kPa	DP41-E, DP25B-E, DP24-E
0 to 0.3 inH ₂ O	0 to 75 Pa	PX292-0.3WDI	281	5 inH ₂ O	1.25 kPa	DP41-E, DP25B-E, DP24-E
0 to 0.5 inH ₂ O	0 to 125 Pa	PX292-0.5WDI	281	5 inH ₂ O	1.25 kPa	DP41-E, DP25B-E, DP24-E
0 to 1 inH ₂ O	0 to 249 Pa	PX292-001WDI	281	20 inH ₂ O	4.98 kPa	DP41-E, DP25B-E, DP24-E
0 to 2 inH ₂ O	0 to 498 Pa	PX292-002WDI	281	20 inH ₂ O	4.98 kPa	DP41-E, DP25B-E, DP24-E
0 to 3 inH ₂ O	0 to 748 Pa	PX292-003WDI	281	20 inH ₂ O	4.98 kPa	DP41-E, DP25B-E, DP24-E
0 to 5 inH ₂ O	0 to 1.25 kPa	PX292-005WDI	281	5 psid	0.34 bar	DP41-E, DP25B-E, DP24-E

Comes complete with NIST calibration certificate and operator's manual.

* Maximum momentary overpressure. ** See section D for compatible meters.

Note: See specifications for description of the elevated zero option, \$31 additional.

Ordering Examples: PX292-010WDI, range of 10 inH₂O at 20 mA and 0 differential pressure at 4 mA, \$281.

PX292-001WDI-A, range of 1.00 inH₂O at 20 mA and -0.33 inH₂O at 4 mA, \$281 + 31 = \$312.



UNITED STATES

www.omega.com
1-800-TC-OMEGA
Stamford, CT.

CANADA

www.omega.ca
Laval(Quebec)
1-800-TC-OMEGA

GERMANY

www.omega.de
Deckenpfronn, Germany
0800-8266342

UNITED KINGDOM

www.omega.co.uk
Manchester, England
0800-488-488

FRANCE

www.omega.fr
Guyancourt, France
088-466-342

CZECH REPUBLIC

www.omegaeng.cz
Karviná, Czech Republic
596-311-899

BENELUX

www.omega.nl
Amstelveen, NL
0800-099-33-44



More than 100,000 Products Available!

• Temperature

Calibrators, Connectors, General Test and Measurement Instruments, Glass Bulb Thermometers, Handheld Instruments for Temperature Measurement, Ice Point References, Indicating Labels, Crayons, Cements and Lacquers, Infrared Temperature Measurement Instruments, Recorders Relative Humidity Measurement Instruments, RTD Probes, Elements and Assemblies, Temperature & Process Meters, Timers and Counters, Temperature and Process Controllers and Power Switching Devices, Thermistor Elements, Probes and Assemblies, Thermocouples Thermowells and Head and Well Assemblies, Transmitters, Wire

• Flow and Level

Air Velocity Indicators, Doppler Flowmeters, Level Measurement, Magnetic Flowmeters, Mass Flowmeters, Pitot Tubes, Pumps, Rotameters, Turbine and Paddle Wheel Flowmeters, Ultrasonic Flowmeters, Valves, Variable Area Flowmeters, Vortex Shedding Flowmeters

• pH and Conductivity

Conductivity Instrumentation, Dissolved Oxygen Instrumentation, Environmental Instrumentation, pH Electrodes and Instruments, Water and Soil Analysis Instrumentation

• Data Acquisition

Auto-Dialers and Alarm Monitoring Systems, Communication Products and Converters, Data Acquisition and Analysis Software, Data Loggers Plug-in Cards, Signal Conditioners, USB, RS232, RS485 and Parallel Port Data Acquisition Systems, Wireless Transmitters and Receivers

• Pressure, Strain and Force

Displacement Transducers, Dynamic Measurement Force Sensors, Instrumentation for Pressure and Strain Measurements, Load Cells, Pressure Gauges, Pressure Reference Section, Pressure Switches, Pressure Transducers, Proximity Transducers, Regulators, Strain Gages, Torque Transducers, Valves

• Heaters

Band Heaters, Cartridge Heaters, Circulation Heaters, Comfort Heaters, Controllers, Meters and Switching Devices, Flexible Heaters, General Test and Measurement Instruments, Heater Hook-up Wire, Heating Cable Systems, Immersion Heaters, Process Air and Duct, Heaters, Radiant Heaters, Strip Heaters, Tubular Heaters