

GENERAL PURPOSE 30 mV OUTPUT TRANSDUCER GAGE PRESSURE MODELS

0-15 to 0-10,000 psi
0-1 to 0-689 bar

PX300-100GV,
shown actual size.

Metric thread adaptors
available.

PS-4G snubber,
sold separately.

PX300 Series

Product Discontinued

as of Feb 2018

- ✓ All Stainless Steel Construction
- ✓ Integral Strain Relief for Cable
- ✓ 0.25% Full Scale Accuracy
- ✓ Long Cycle Life

SPECIFICATIONS

Excitation: 10 Vdc (5 to 15 Vdc Limits)

Output: 3 mV/V ratiometric
30 mV ±1 mV @ 10V

Accuracy: 0.25% FS (linearity, hysteresis, repeatability)

Zero Balance: ±2%

Long-Term Stability: ±0.5% full scale

Typical Life: 100 million cycles

Operating Temperature:
-18 to 71°C (0 to 160°F)

Compensated Temperature:
-1 to 71°C (30 to 160°F)

Total Thermal Effects: 3% full scale maximum

Proof Pressure: 200%, 13,000 psi maximum

Input Resistance: 15,000 Ω nominal

Response Time: 1 ms

Gage Type: Stainless steel diaphragm, silicone oil-filled semiconductor sensor

Shock: 50 g @ 11 ms

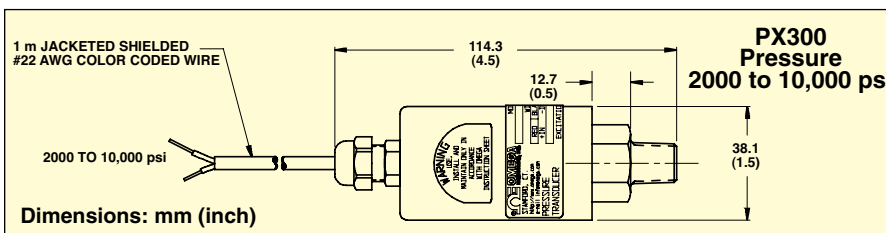
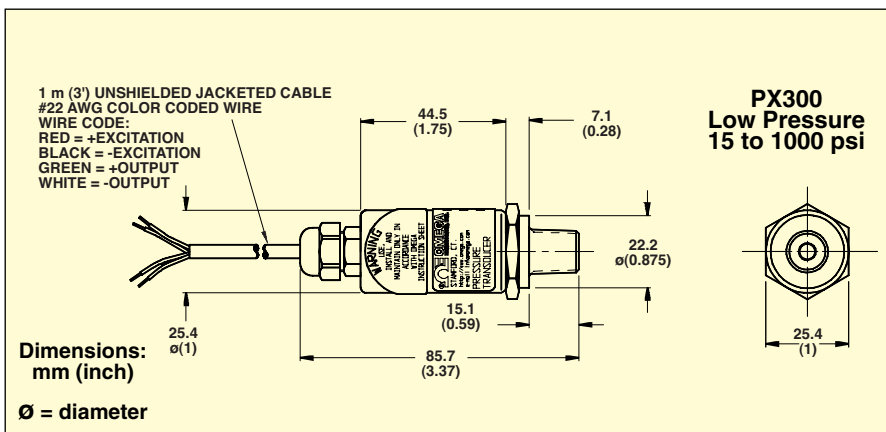
Vibration: 15 g 10 to 2000 Hz

Wetted Parts: 17-4 PH and 300 Series stainless steel

Pressure Port: ¼ NPT male

Electrical Conn: 4-cond, 22 AWG, PVC unshielded, 1 m (3') cable

Weight: 131 g (4.6 oz) to 1000 psi
190 g (6.7 oz) from 1000 psi



To Order

RANGE	MODEL NO.	COMPATIBLE METERS
GAGE MODELS		
0 to 15 psig	0 to 1.0 bar	PX300-015GV
0 to 50 psig	0 to 3.4 bar	PX300-050GV
0 to 100 psig	0 to 6.9 bar	PX300-100GV
0 to 200 psig	0 to 13.8 bar	PX300-200GV
0 to 300 psig	0 to 20.7 bar	PX300-300GV
0 to 500 psig	0 to 34.5 bar	PX300-500GV
0 to 1000 psig	0 to 68.9 bar	PX300-1KGV
0 to 2000 psig	0 to 138.0 bar	PX300-2KGV
0 to 3000 psig	0 to 207.0 bar	PX300-3KGV
0 to 5000 psig	0 to 345.0 bar	PX300-5KGV
0 to 7500 psig	0 to 517.0 bar	PX300-7.5KGV
0 to 10,000 psig	0 to 689.0 bar	PX300-10KGV

Comes complete with operator's manual.

Ordering Example: PX300-1KGV, pressure transducer with 1000 psi and 30 mV output and PS-4G, pressure snubber for gases.