

SANITARY PROCESS SENSORS

USB Output Sanitary Fitting Pressure Transducer Connect Directly to Your PC or Laptop

**Gage, Absolute, Compound Gage,
Vacuum and Barometric Pressures
10 inH₂O to 600 psi (25 mb to 41 bar)**

PX409S Sanitary USB Series



- ✓ High Speed 1000 updates/second
- ✓ Micromachined Silicon Sensor
- ✓ 316L SS Wetted Parts
- ✓ High 0.08% Accuracy
- ✓ Excellent Long Term Stability
- ✓ USB 2.0 and Below Compatible
- ✓ Standard USB Cable Termination
- ✓ Ruggedized with Secondary Containment System
- ✓ Select Engineering Units via Software

The PX409S Sanitary USB Series connects directly to your computer. The Sanitary Series is 3A approved and available with 1½" or 2" Tri-Grip™ (Tri-Clamp® compatible) fittings to work with most common applications. Free software makes data logging and charting your readings a simple task. The micromachined silicon design is ideal for pressure or level applications in laboratory, test platforms, or bio/pharmaceutical applications as well as industrial applications that require a rugged, high accuracy transducer. The micromachined silicon sensor provides a very stable transducer with exceptional

**Fast Delivery!
Stock to 1 Week
on Most Models**

2 m (6') integral
USB cable connects
directly to your PC.

high accuracy of 0.08% typical and a broad compensated range (See specs for details). The modular construction allows for fast delivery of most configurations and fittings. Delivery is typically stock to 1 week!

Specifications

Accuracy: 0.08% typical best straight line, 0.14% maximum (linearity, hysteresis and repeatability combined) compound gage models calibrated in positive direction only

Calibration: 5-point NIST traceable calibration with zero and span values calibrated in horizontal direction

Zero Balance: ±0.5% full scale typical ±1% maximum (for ranges ≤2.5 psi ±1% typical ±2% maximum)

Span Setting: ±0.5% FS typical ±1% maximum (for ranges ≤2.5 psi ±1% typical ±2% maximum)

Operating Temperature Range: -15 to 95°C (-5 to 203°F)

Compensated Temperature Range:

Ranges ≤ 5 psi: 4.4 to 60°C (40 to 140°F)

Ranges > 5 psi: -4 to 85°C (25 to 185°F)

DISCONTINUED

PX409S15-015CGUSB,
1.5" flange, ±15 psi,
USB output.



PX409S20-015GUSB,
2" flange, 0 to 15 psi,
USB output.

Temperature Compensation Zero and Span Shift Over Compensated Range:

Ranges ≤2.5 psi:

Zero: 1.00%

Span: 0.70%

Range = 5 psi:

Zero: 0.80%

Span: 0.50%

Ranges > 5psi:

Zero: 0.50%

Span: 0.50%

26B/26HB Barometric Range:

Zero: 0.90%

Span: 0.50%

**Minimum Isolation Between Case
and Output Terminations:**

100M Ω @ 50 Vdc

Pressure Cycles: >250,000, minimum

Long Term Stability (1 Year):
±0.1% FS typical

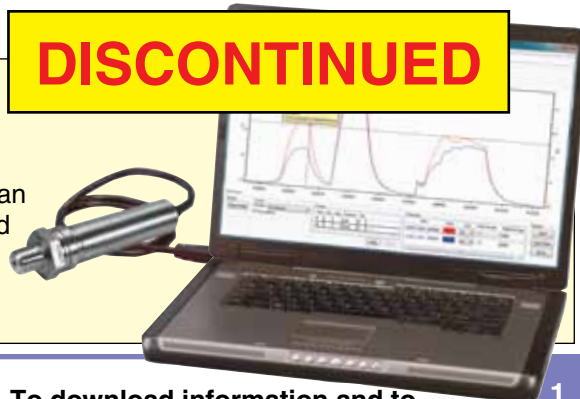
Shock: 50 g, 11 mS half sine shock,
(under test)

Vibration: ±20 g (under test)

DISCONTINUED

FREE SOFTWARE INCLUDED!

Each unit includes free software that converts your PC into a strip chart recorder or data logger so readings can be saved and later printed or exported to a spread sheet file. Also included are software drivers for some of the most popular Laboratory programs.



SHOP ONLINE AT **omega.com**SM

To download information and to order online, visit omega.com/sanitary

DISCONTINUED

SANITARY PROCESS SENSORS

Bandwidth: DC to 3 Hz typical
A to D Conversion: 14 bit
Response Time: <1 mS
Fill Fluid: NEOBEE M5 food grade
Approved to 3A Sanitary Specification 74-05
CE Compliant: Meets industrial emissions and immunity standard IEC61326

Environmental Protection: IP65

Pressure Rating: 1½" and 2" Tri-Grip™

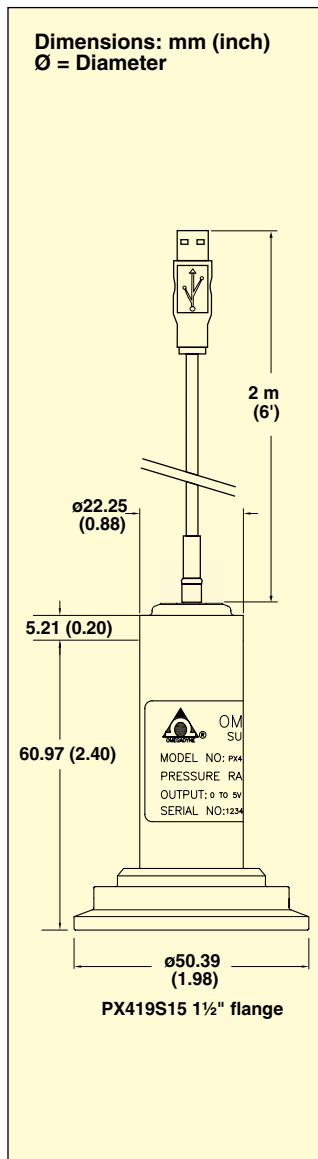
Fitting: 600 psi using suitable clamp

Over Pressure: 4 x rated pressure to maximum rated flange pressure
Secondary Containment: 6 x rated pressure to a maximum of 2000 psi (not in clamp)

Wetted Parts: 316L stainless steel
Weight: 285 g (10 oz)

To Order

Range psi	Range bar	1.5" Tri-Grip Models	2.0" Tri-Grip Models
Gage Pressure			
0 to 10 inH ₂ O	0 to 25 mb	PX409S15-10WGUSB	PX409S20-10WGUSB
0 to 1	0 to 69 mb	PX409S15-001GUSB	PX409S20-001GUSB
0 to 2.5	0 to 172 mb	PX409S15-2.5GUSB	PX409S20-2.5GUSB
0 to 5	0 to 345 mb	PX409S15-005GUSB	PX409S20-005GUSB
0 to 15	0 to 1	PX409S15-015GUSB	PX409S20-015GUSB
0 to 30	0 to 2.1	PX409S15-030GUSB	PX409S20-030GUSB
0 to 50	0 to 3.4	PX409S15-050GUSB	PX409S20-050GUSB
0 to 100	0 to 6.9	PX409S15-100GUSB	PX409S20-100GUSB
0 to 150	0 to 10.3	PX409S15-150GUSB	PX409S20-150GUSB
0 to 250	0 to 17.2	PX409S15-250GUSB	PX409S20-250GUSB
0 to 500	0 to 34.5	PX409S15-500GUSB	PX409S20-500GUSB
0 to 600	0 to 41.4	PX409S15-600GUSB	—
Absolute Pressure			
0 to 15	0 to 1	PX409S15-015AUSB	PX409S20-015AUSB
0 to 30	0 to 2.1	PX409S15-030AUSB	PX409S20-030AUSB
0 to 50	0 to 3.4	PX409S15-050AUSB	PX409S20-050AUSB
0 to 100	0 to 6.9	PX409S15-100AUSB	PX409S20-100AUSB
0 to 150	0 to 10.3	PX409S15-150AUSB	PX409S20-150AUSB
0 to 250	0 to 17.2	PX409S15-250AUSB	PX409S20-250AUSB
0 to 500	0 to 34.5	PX409S15-500AUSB	PX409S20-500AUSB
0 to 600	0 to 41.4	PX409S15-600AUSB	—
Vacuum Ranges (Negative Gage Pressure)			
0 to -10 inH ₂ O	0 to -25 mb	PX409S15-10WVUSB	PX409S20-10WVUSB
0 to -1 psi	0 to -69 mb	PX409S15-001VUSB	PX409S20-001VUSB
0 to -2.5 psi	0 to -172 mb	PX409S15-2.5VUSB	PX409S20-2.5VUSB
0 to -5 psi	0 to -345 mb	PX409S15-005VUSB	PX409S20-005VUSB
0 to -15 psi	0 to -1	PX409S15-015VUSB	PX409S20-015VUSB
Compound Gage Ranges			
±10 inH ₂ O	±25 mb	PX409S15-10WCGUSB	PX409S20-10WCGUSB
±1 psi	±69 mb	PX409S15-001CGUSB	PX409S20-001CGUSB
±2.5 psi	±172 mb	PX409S15-2.5CGUSB	PX409S20-2.5CGUSB
±5 psi	±345 mb	PX409S15-005CGUSB	PX409S20-005CGUSB
±15 psi	±1	PX409S15-015CGUSB	PX409S20-015CGUSB
Barometric Ranges (Absolute Pressure)			
0 to 32 inHg	—	PX409S15-32BUSB	PX409S20-32BUSB
16 to 32 inHg	—	PX409S15-16BUSB	PX409S20-16BUSB
26 to 32 inHg	—	PX409S15-26BUSB	PX409S20-26BUSB
—	0 to 1100 hPa	PX409S15-32HBUSB	PX409S20-32HBUSB
—	550 to 1100 hPa	PX409S15-16HBUSB	PX409S20-16HBUSB
—	880 to 1100 hPa	PX409S15-26HBUSB	PX409S20-26HBUSB



Comes complete with 5-point NIST traceable calibration certificate, CD with set-up, databasing, charting and driver software.

Ordering Examples: PX409S15-015GUSB, 1½" Tri-Grip fitting, 2 m (6') cable termination with USB termination, 15 psi gage range, USB Output.

PX409S20-16BUSB, 2" Tri-Grip fitting, 2 m (6') cable termination with USB termination, 16 to 32 inHg barometric range, USB Output.

DISCONTINUED