

COMPACT PRESSURE TRANSMITTERS

ALL STAINLESS STEEL WETTED PARTS

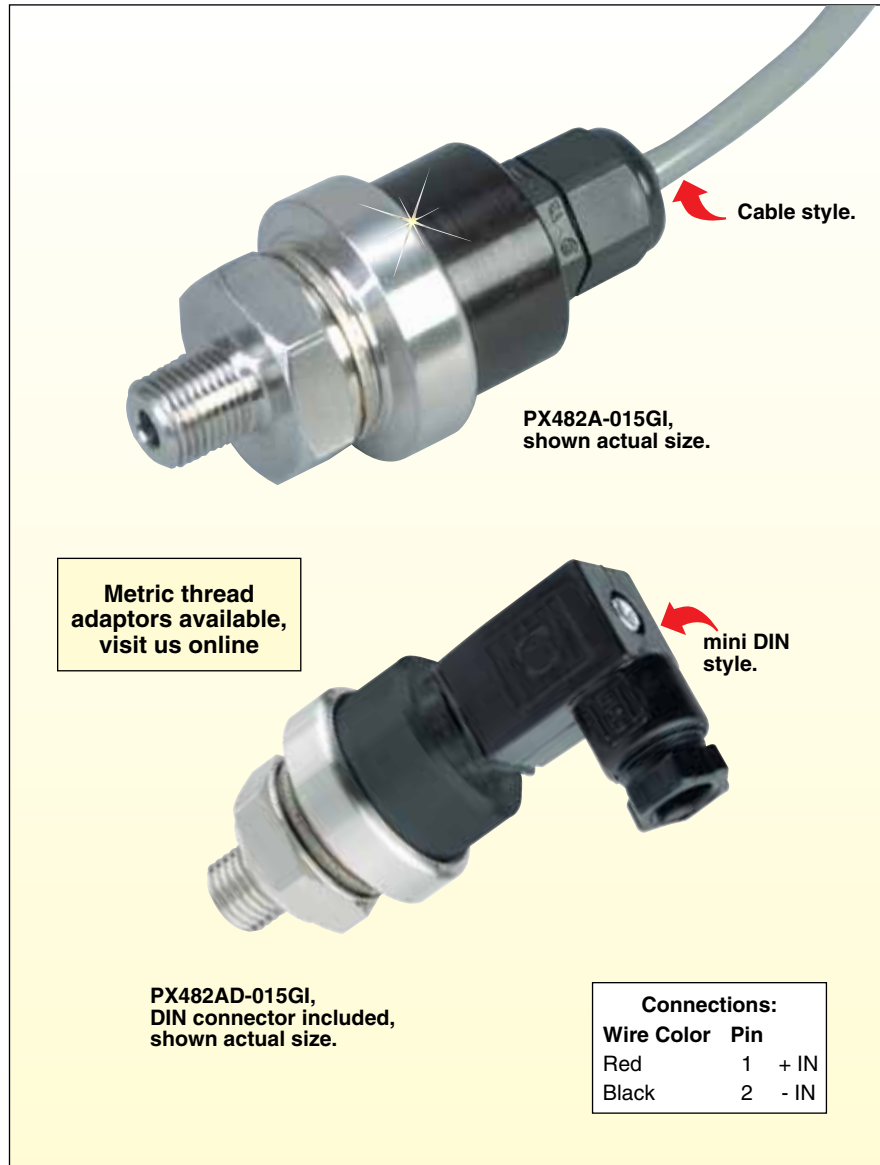
4 to 20 mA Output

PX482A Series

- ✓ Digitally Compensated for Excellent Total Accuracy and Interchangeability
- ✓ Gage, Absolute, Vacuum, and Compound Ranges Available
- ✓ Rugged, Compact Design
- ✓ RFI/EMI Protection
- ✓ 316L Stainless Steel Wetted Parts
- ✓ 4 to 20 mA 2-Wire Loop Output
- ✓ Cable and Connector Styles

OMEGA's PX482A Series transducers are designed for general industrial and commercial requirements, and offer excellent performance in a wide range of applications. They are based on proven micro-machined silicon technology, providing high reliability, long-term stability, and low cost.

The PX482A is fully digitally compensated for the effects of pressure and temperature change. It is extremely accurate, with less than 0.3% FS reference accuracy and less than 1% FS over its compensated temperature range. Wetted parts are made of 316L stainless steel for a wide range of media compatibility.



SPECIFICATIONS

Excitation: 11 to 30 Vdc

Output: 4 to 20 mA (2 wire)

Load Resistance: 50 x (supply voltage - 11) Ω

Accuracy: 0.3% BFSL maximum (includes linearity, hysteresis and repeatability)

Operating Temperature: -40 to 80°C (-40 to 176°F)

Compensated Temperature: -25 to 75°C (-13 to 167°F)

Process Temperature: -40 to 100°C (-40 to 212°F)

1-Year Stability: <0.25% FS

Proof Pressure: 2x FS

Burst Pressure: 3x FS

Wetted Parts: 316L stainless steel

Vibration: 10 g, 55 to 2000 Hz

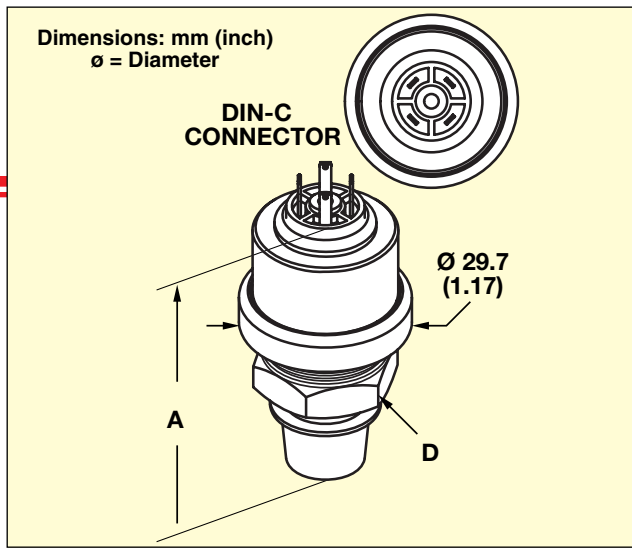
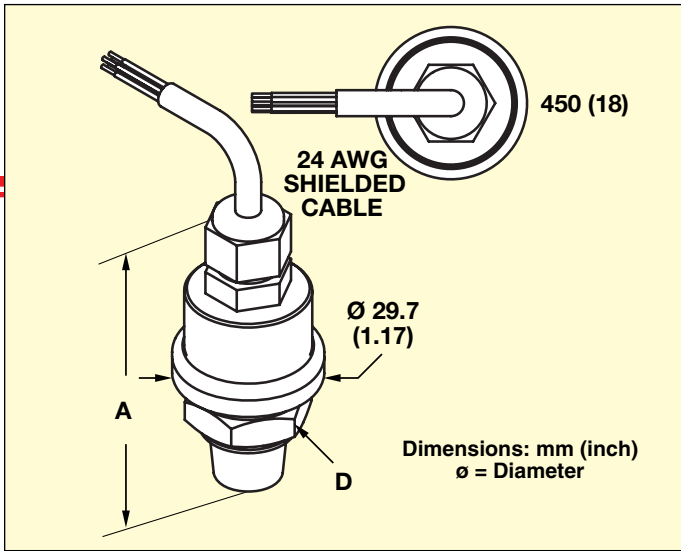
Shock: 30 g

Process Connection: 1/8" NPT male

Electrical Connection: 0.4 m (18") 24-gage cable or DIN 43650-A connector

Dimensions: 1 1/8" hex; 72 H x 29.7 mm Dia. (2.84 x 1.17"); DIN connector adds 51 mm (2") to height

Weight: 142 g (5 oz)



DIMENSIONS	UP TO 500 PSIG	ABOVE 500 PSIG ALL ABSOLUTE RANGE
A, Cable Style	66.3 (2.61)	72.1 (2.84)
A, Connector Style	47.5 (1.87)	53.2 (2.10)
D	7/8 HEX	1 1/8 HEX



CURRENT OUTPUT
PRESSURE TRANSDUCERS

B

To Order

GAGE PRESSURE RANGES

psi	bar	CABLE STYLE	CONNECTOR STYLE	COMPATIBLE METERS*
0 to 1	0 to 68.9 mbar	PX482A-001GI	PX482AD-001GI	DP24-E, DP25B-E, DP41-E, DPi Series
0 to 6	0 to 413.7 mbar	PX482A-006GI	PX482AD-006GI	DP24-E, DP25B-E, DP41-E, DPi Series
0 to 15	0 to 1.0	PX482A-015GI	PX482AD-015GI	DP24-E, DP25B-E, DP41-E, DPi Series
0 to 30	0 to 2.1	PX482A-030GI	PX482AD-030GI	DP24-E, DP25B-E, DP41-E, DPi Series
0 to 60	0 to 4.1	PX482A-060GI	PX482AD-060GI	DP24-E, DP25B-E, DP41-E, DPi Series
0 to 100	0 to 6.9	PX482A-100GI	PX482AD-100GI	DP24-E, DP25B-E, DP41-E, DPi Series
0 to 200	0 to 13.8	PX482A-200GI	PX482AD-200GI	DP24-E, DP25B-E, DP41-E, DPi Series
0 to 300	0 to 20.7	PX482A-300GI	PX482AD-300GI	DP24-E, DP25B-E, DP41-E, DPi Series
0 to 500	0 to 34.5	PX482A-500GI	PX482AD-500GI	DP24-E, DP25B-E, DP41-E, DPi Series
0 to 1000	0 to 69.0	PX482A-1KSI	PX482AD-1KSI	DP24-E, DP25B-E, DP41-E, DPi Series
0 to 2000	0 to 138	PX482A-2KSI	PX482AD-2KSI	DP24-E, DP25B-E, DP41-E, DPi Series
0 to 3000	0 to 207	PX482A-3KSI	PX482AD-3KSI	DP24-E, DP25B-E, DP41-E, DPi Series

VACUUM AND COMPOUND RANGES

0 to -14.7	0 to -1.0	PX482A-015VACI	PX482AD-015VACI	DP24-E, DP25B-E, DP41-E, DPi Series
-14.7 to 15	-1.0 to 1.0	PX482A-015CI	PX482AD-015CI	DP24-E, DP25B-E, DP41-E, DPi Series
-14.7 to 30	-1.0 to 2.1	PX482A-030CI	PX482AD-030CI	DP24-E, DP25B-E, DP41-E, DPi Series
-14.7 to 60	-1.0 to 4.1	PX482A-060CI	PX482AD-060CI	DP24-E, DP25B-E, DP41-E, DPi Series

ABSOLUTE PRESSURE RANGES

0 to 15	0 to 1.0	PX482A-015AI	PX482AD-015AI	DP24-E, DP25B-E, DP41-E, DPi Series
0 to 30	0 to 2.1	PX482A-030AI	PX482AD-030AI	DP24-E, DP25B-E, DP41-E, DPi Series
0 to 60	0 to 4.1	PX482A-060AI	PX482AD-060AI	DP24-E, DP25B-E, DP41-E, DPi Series

* Visit us online for compatible meters.

MODEL NO.	DESCRIPTION
PS-8E	Pressure snubber for water or light oils
PS-8D	Pressure snubber for dense liquids or oils
PS-8G	Pressure snubber for gases and steam

Comes complete with operator's manual.

Ordering Example: PX482A-100GI, 0 to 100 psig cable style transducer with 4 to 20 mA output.