

THIN-FILM PRESSURE TRANSMITTERS

STAINLESS STEEL CONSTRUCTION

Vacuum to 20,000 psi (1380 bar)

PX605/PX615 Series



DP41-E meter, sold separately, see omega.com/meters



PT06F8-4S connector, sold separately.

Cable style.

Metric thread adaptors available, visit omega.com

Twist-lock style.

PX615-100GI, shown smaller than actual size.

PX605-1KGI, shown smaller than actual size.

- ✓ Excellent Long-Term Stability
- ✓ NEMA 4 (IP65) Cable or Connector Models
- ✓ 0.4% Accuracy
- ✓ Thin-Film Design for High Reliability
- ✓ Ideal for Liquid or Gas

SPECIFICATIONS

Excitation: 10 to 30 Vdc unregulated

Output: 4 to 20 mA (2 wire)

Supply Current: 20 mA

Insulation Resistance: 100 MΩ @ 50 V

Accuracy: ±0.4% BFS

Hysteresis: ±0.2%

Repeatability: ±0.07%

Stability: ±0.5%/year

Durability: 100 million cycles

Operating Temperature: -28 to 121°C (-20 to 180°F)

Compensated Temperature: -28 to 71°C (-20 to 160°F)

Thermal Zero Effect: ±0.07% FS/°C

Thermal Span Effect: ±0.07% FS/°C

Proof Pressure:

15 to 2000 psi = 200% FS

3000 to 5000 psi = 150% FS

7500 to 20,000 psi = 120% FS

Burst Pressure:

15 to 2000 psi = 800% FS

3000 to 5000 psi = 300% FS

7500 to 20,000 psi = 150% FS

Gages: Thin-film polysilicon

Diaphragm: 17-4 PH stainless steel

Case: 300 Series stainless steel

Pressure Connection:

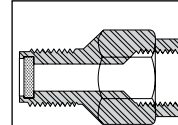
15 to 10,000 psi = ¼ NPT

15,000 and 20,000 psi = female

AMINCO fitting (¾ - 18 UNF)

PS-4 snubber, sold separately.

Snubbers protect sensors from fluid spikes/hammers!



¼ NPT Pressure Snubbers:

PS-4G = Gas

PS-4E = Lt Oil

PS-4D = Dense Lq

Electrical Connection: 0.9 m (36") braided shield PVC cable or connector

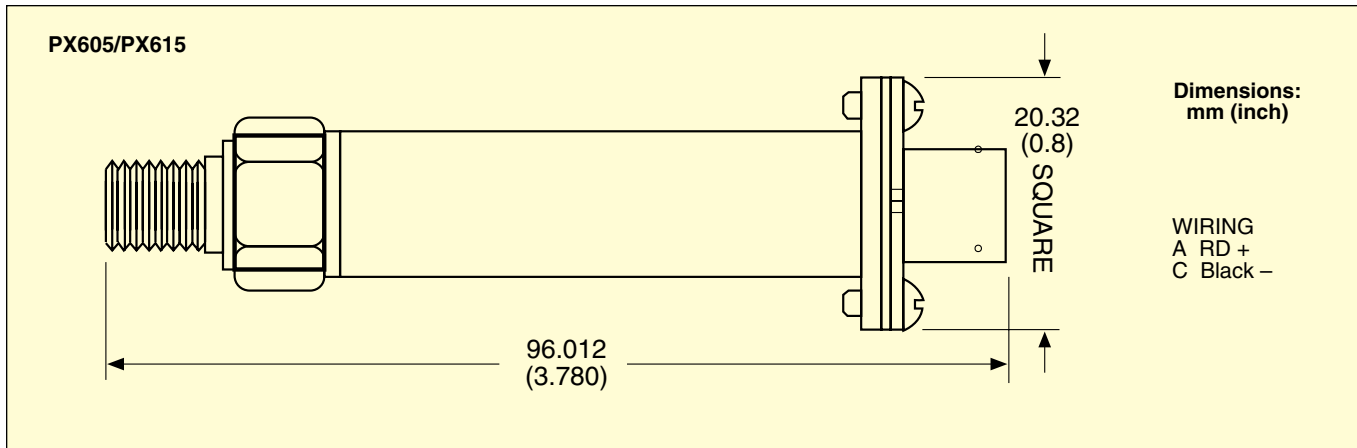
Mating Connector: PX615: PT06F8-4S (sold separately)

Response Time: 5 ms

Construction: Sealed units, except PX605 ≤500 psi is vented to room

Weight: 128 g (4.5 oz) without cable

THIN-FILM PRESSURE TRANSMITTERS



CURRENT OUTPUT
PRESSURE TRANSDUCERS

B

Specify PX605 for Cable or PX615 for Connector Style

To Order Visit omega.com/px605 for Pricing and Details

RANGE		MODEL NO. [*] INSERT 0 or 1	COMPATIBLE METERS**
psig	bar		
0 psig to Vacuum	0 bar to Vacuum	PX6[*]5-30VACI	DP3002-E, DP41-E, DP25B-E
Vacuum to 15 psig	Vacuum to 1.0 bar	PX6[*]5-30VI5GI	DP3002-E, DP41-E, DP25B-E
Vacuum to 30 psig	Vacuum to 2 bar	PX6[*]5-30V30GI	DP3002-E, DP41-E, DP25B-E
Vacuum to 60 psig	Vacuum to 4.1 bar	PX6[*]5-30V60GI	DP3002-E, DP41-E, DP25B-E
0 to 15	0 to 1.0	PX6[*]5-015GI	DP3002-E, DP41-E, DP25B-E
0 to 30	0 to 2.1	PX6[*]5-030GI	DP3002-E, DP41-E, DP25B-E
0 to 60	0 to 4.1	PX6[*]5-060GI	DP3002-E, DP41-E, DP25B-E
0 to 100	0 to 6.9	PX6[*]5-100GI	DP3002-E, DP41-E, DP25B-E
0 to 150	0 to 10.3	PX6[*]5-150GI	DP3002-E, DP41-E, DP25B-E
0 to 200	0 to 13.8	PX6[*]5-200GI	DP3002-E, DP41-E, DP25B-E
0 to 300	0 to 20.7	PX6[*]5-300GI	DP3002-E, DP41-E, DP25B-E
0 to 500	0 to 34.5	PX6[*]5-500GI	DP3002-E, DP41-E, DP25B-E
0 to 1000	0 to 68.9	PX6[*]5-1KGI	DP3002-E, DP41-E, DP25B-E
0 to 2000	0 to 138	PX6[*]5-2KGI	DP3002-E, DP41-E, DP25B-E
0 to 3000	0 to 207	PX6[*]5-3KGI	DP3002-E, DP41-E, DP25B-E
0 to 5000	0 to 345	PX6[*]5-5KGI	DP3002-E, DP41-E, DP25B-E
0 to 7500	0 to 517	PX6[*]5-7.5KGI	DP3002-E, DP41-E, DP25B-E
0 to 10,000	0 to 689	PX6[*]5-10KGI	DP3002-E, DP41-E, DP25B-E
0 to 15,000	0 to 1034	PX6[*]5-15KGI†	DP3002-E, DP41-E, DP25B-E
0 to 20,000	0 to 1379	PX6[*]5-20KGI†	DP3002-E, DP41-E, DP25B-E

Comes complete with operator's manual.

† 15,000 and 20,000 psi models supplied with female AMINCO 1/8-18 UNF fitting.

[*] Insert "0" for cable style, "1" for connector style.

Ordering Examples: PX605-500G5I, cable-style transducer with a range of 0 to 500 psi.

PX615-500GI, connector-style transducer with a range of 0 to 500 psi.

PT06F8-4S, mating connector (sold separately).

** See omega.com/meters for compatible meters.

ACCESSORY

MODEL NO.	DESCRIPTION
PT06F8-4S	Mating connector for PX615 Series transducers