

## High Accuracy Submersible Pressure Transmitter

### Product Details

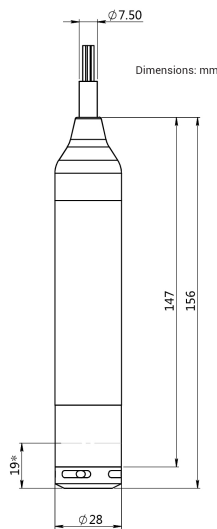
PX633 Submersible Level Transmitter is designed for dealing with the most demanding level measurement conditions. The sensor adopts advanced microprocessor technology with comprehensive linear and temperature error compensation assuring the high precision measurements.

The probe employs full potting, reference tube condensation countermeasures, a dual seal design, and a rugged stainless steel body to assure long term reliability, performance, and stability. The signal transmitting module has transient voltage protection to assure operation under the harsh surge voltage environments (surge protection is not guaranteed and is not covered by warranty). An inverted cone seal extends working life of cable and transducer in conditions where the sensor may experience severe stress from turbulent process media. PX633 Submersible level transmitter is the optimal choice to satisfy all of high demand level measuring applications.



### Features

- Available with Accuracies of 0.5%, 0.25% and 0.1% of Full Scale
- Designed for Complete Submergibility
- Unique Cable Seal System Insures Water-Tight Integrity
- High Static Accuracy and Repeatability
- Fully Temperature Compensated
- CE Certificate Included
- 100% Computer Tested, Calibrated and Serialized
- Calibration Sheet Provided



\*Show the distance from sensing diaphragm to the bottom of product  
Weight: about 340g (without cable)

Product Number	Pressure Range	Accuracy Value	Cable Length
PX633A1-003GI	0 to 3 psi	±0.1%	20' CABLE
PX633A1-005GI	0 to 5 psi	±0.1%	20' CABLE
PX633A1-015GI	0 to 15 psi	±0.1%	50' CABLE
PX633A1-030GI	0 to 30 psi	±0.1%	90' CABLE
PX633A2-100GI	0 to 100 psi	±0.1%	250' CABLE
PX633A1-150GI	0 to 150 psi	±0.1%	365' CABLE
PX633A1-250GI	0 to 250 psi	±0.1%	595' CABLE
PX633A1-300GI	0 to 300 psi	±0.1%	710' CABLE
PX633A2-003GI	0 to 3 psi	±0.25%	20' CABLE
PX633A5-005GI	0 to 5 psi	±0.25%	20' CABLE
PX633A2-015GI	0 to 15 psi	±0.25%	50' CABLE
PX633A5-030GI	0 to 30 psi	±0.25%	90' CABLE
PX633A2-100GI	0 to 100 psi	±0.25%	250' CABLE
PX633A2-150GI	0 to 150 psi	±0.25%	365' CABLE
PX633A2-250GI	0 to 250 psi	±0.25%	595' CABLE
PX633A2-300GI	0 to 300 psi	±0.25%	710' CABLE
PX633A5-003GI	0 to 3 psi	±0.5%	20' CABLE
PX633A5-005GI	0 to 5 psi	±0.5%	20' CABLE
PX633A5-015GI	0 to 15 psi	±0.5%	50' CABLE
PX633A5-030GI	0 to 30 psi	±0.5%	90' CABLE
PX633A5-100GI	0 to 100 psi	±0.5%	250' CABLE
PX633A5-150GI	0 to 150 psi	±0.5%	365' CABLE
PX633A5-250GI	0 to 250 psi	±0.5%	595' CABLE
PX633A5-300GI	0 to 300 psi	±0.5%	710' CABLE

## Specifications

Turndown = nominal range of the device / set span of device  
 EXAMPLE: a PX3005-1KWDWBI with set span of 500"H2O TD = 1000"H2O/500"H2O = 2

### Accuracy:

20°C ± 5°C (68°F ± 9°)  
 PX633A1: 0.01% FS NLHR  
 PX633A2: 0.25% FS NLHR  
 PX633A5: 0.50% FS NLHR

### Long Term Stability:

±0.2% FS/ year

### Ambient temperature effects (20°C to 80°C)

±0.2% FS/10K

### Power Supply Effects:

± 0.005% FS/V (Zero and Span)

### Load Effect:

± 0.05% FS/kΩ (Zero and Span)

### Vibration Effects:

IEC61298-3/GB/T 18271.3; 20g (5-2000HZ, max<±3mm) <0.1% FS

### Supply Voltage (U):

10.5 to 55VDC

### Output Signal:

4 to 20mA DC

### Load Resistance Ω:

<(U-10)/0.021

### Maximum Current:

20.8mA

### Transmission Distance:

< 1000m

### Power Consumption:

500mW(20.8mA output @ 24VDC)

### Operating Temperature:

-10 to 70°C (14 to 158°F)

### Storage Temperature:

-30 to 80°C (- 22 to 176°F)

### Protection Class:

IP68

### Electrical Connection:

PUR cable, outer diameter (7.5±0.2)mm

### Isolation Diaphragm Material:

316 SS

### Fill Fluid:

Silicon oil

### Sensor Seal:

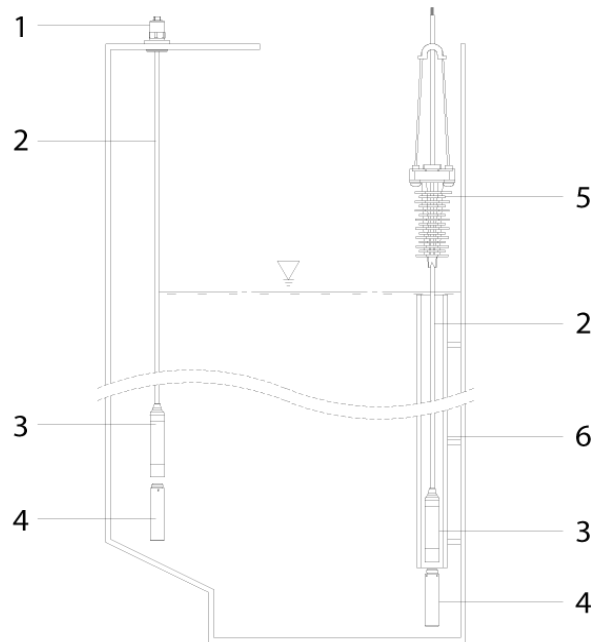
O-ring, FMK

### Side Cover Material / Diameter:

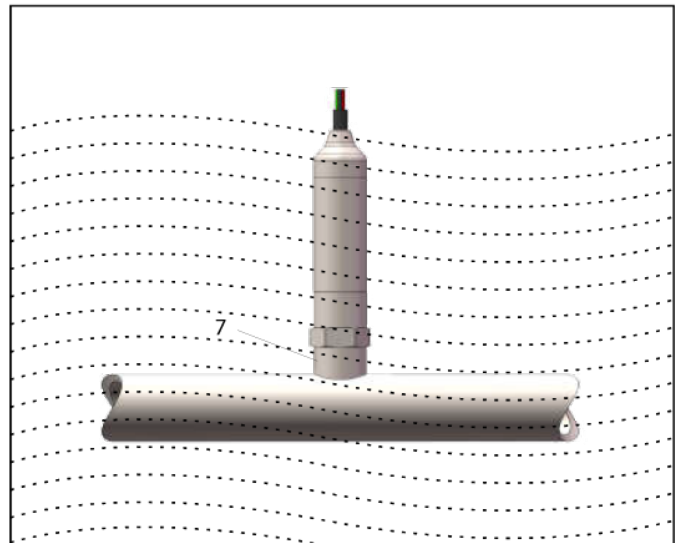
316 SS/ 28mm

### EMC Environment:

GB/T 9254/CISPR22  
 GB/T 17626.2/IEC61000-4-2  
 GB/T 17626.3/IEC61000-4-3  
 GB/T 17626.8/IEC61000-4-8  
 GB/T 17626.4/IEC61000-4-4  
 GB/T 17626.5/IEC61000-4-5  
 GB/T 17626.6/IEC61000-4-6



1. Tank Cable Clamp, PX633-CLAMP
2. Transmitter Cable
3. Level transmitter
4. Counter weight, PX633-WEIGHT
5. Cable clamp hanger, PX633-HANGER
6. Protective Tube (user provided)



7. Thread Connection, PX633-M20, other threads available

Nominal Cable lengths noted, tolerance is ± 0.5m/1.5ft