

ADJUSTABLE-RANGE INDUSTRIAL PRESSURE TRANSMITTER WITH RUGGED NEMA 4X (IP66) ENCLOSURE



PX725A Series
4 to 20 mA Output
0-17 inH₂O to 0-5000 psig

All Ranges
\$950



- ✓ High ±0.15% Accuracy
- ✓ All 316 SS Wetted Parts or Hastelloy C
- ✓ Electrical Surge Protected
- ✓ EMI Shielded
- ✓ 6 to 1 Turndown on Span
- ✓ ±600% LRL Zero Suppression or Elevation
- ✓ 4 to 20 mA or 1 to 5 Vdc Output

SPECIFICATIONS

Excitation: 24 Vdc, 7 to 36 Vdc mA output, 6 to 42 Vdc @ 1.6 mA voltage output

Output: 4 to 20 mA (2 wire) or 1 to 5 Vdc (3 wire) jumper selectable

Max Loop Resistance: (Supply voltage - 7) x 50 Ω

Accuracy: ±0.1% of URL (upper range limit includes linearity, hysteresis and repeatability)

Stability: ±0.25% of URL (upper range limit) 1 year

Span Adjust: 16 to 100% URL (dip switches and pot)

Zero Adjust: -600 to 600% LRL (lower range limit)

Operating Temperature:

Process: -40 to 104°C (-40 to 220°F)

Electrical: -32 to 85°C (-25 to 185°F)

Ambient Total Thermal Effects:

0.010% URL/°F for -25 to 75°F

0.015% URL/°F for 75 to 185°F

(0.020% URL/°F for 100 inH₂O)

Response Time: 63% response 1 ms or 50 ms with damping

EMI Effect: ±1% URL @ 10V/m from 20 to 500 MHz. Meets /SAMA

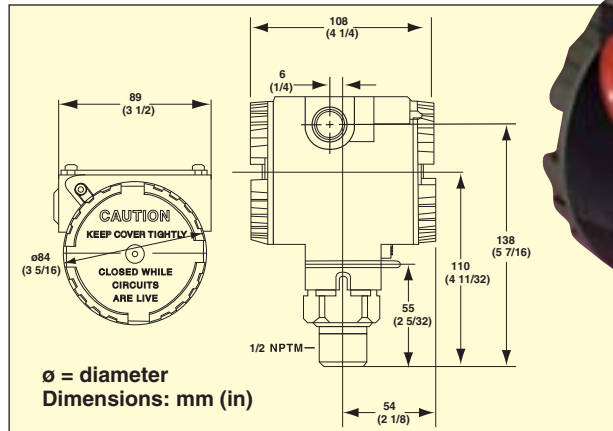
PMC-33-1C with cover in place and electrical wiring in grounded conduit.

Agency Approvals: UL/CUL

Class 1, Groups C, D;

Class 1, Division 2, Groups A, B, C, D

Wetted Parts: 316 SS



Pressure Port: ½ NPT male

Fill Fluid: DC 200 silicone

Housing: Low copper aluminum, epoxy coated, NEMA 4X (IP66)

Electrical Connection: ½ NPTF conduit, with internal screw terminals

Weight: 1 kg (2 lb 4 oz)

Compatible Meters: DP41-E, DP25B-E, DP24-E, DP460, DP3002-E and others. See section D for complete selection.

MOST POPULAR MODELS HIGHLIGHTED!



PX725A-100GI, \$950, shown smaller than actual size.



CURRENT OUTPUT PRESSURE TRANSDUCERS

B

To Order (Specify Model Number)

½ NPT MODEL NO.	PRICE	ADJUSTABLE SPAN	MAX WORKING PRES
PX725A-100WCGI	\$950	0-17 to 0-100 inH ₂ O	300 inH ₂ O 74.8 kPa
PX725A-300WCGI	950	0-50 to 0-300 inH ₂ O	900 inH ₂ O 224.3 kPa
PX725A-400WCGI	950	0-67 to 0-400 inH ₂ O	1200 inH ₂ O 299 kPa
PX725A-025GI	950	0-4 to 0-25 psig	75 psi 5.2 bar
PX725A-050GI	950	0-8 to 0-50 psig	150 psi 10.3 bar
PX725A-100GI	950	0-17 to 0-100 psig	300 psi 20.7 bar
PX725A-300GI	950	0-50 to 0-300 psig	900 psi 62 bar
PX725A-500GI	950	0-83 to 0-500 psig	1500 psi 103 bar
PX725A-1KGI	950	0-167 to 0-1000 psig	3000 psi 207 bar
PX725A-3KGI	950	0-500 to 0-3000 psig	4500 psi 310 bar
PX725A-5KGI	950	0-833 to 0-5000 psig	7500 psi 517 bar

OPTIONS

SUFFIX	PRICE	DESCRIPTION
-H	\$180	Hastelloy C wetted parts (PX725 only)
-M	175	Integral LCD meter [add 20.83 mm (0.82") to height (voids FM approval)]

ACCESSORIES

MODEL NO.	PRICE	DESCRIPTION
PX725-MB-KIT	\$65	Mounting bracket (order separately)
PS-2G	24	Pressure snubber for gaseous media
PS-2E	24	Pressure snubber for water and light oils
PS-2D	24	Pressure snubber for dense oil (motor oil)
TX2-100	35	Wire 30 m (100') of 2-conductor shielded pair
CM-4333	135	Reference Book: Plantwide Process Control

Comes complete with operator's manual.

Ordering Examples: PX725A-100WCGI-H, ½ NPT model with 0-17 to 0-100 inH₂O adjustable span and Hastelloy C wetted parts, \$950 + 180 = \$1130. PX725A-025GI, ½ NPT model with 0-4 to 0-25 psig adjustable span, \$950.



FLUSH DIAPHRAGM INDUSTRIAL PRESSURE TRANSMITTER WITH RUGGED NEMA 4X (IP66) ENCLOSURE

PX726A Series

4 to 20 mA Output

0 to 17 inH₂O to 0 to 3000 psi

All Ranges
\$995



- ✓ High $\pm 0.15\%$ Accuracy
- ✓ All 316 SS Wetted Parts or Hastelloy C
- ✓ Electrical Surge Protected
- ✓ EMI Shielded
- ✓ 6 to 1 Turndown on Span
- ✓ $\pm 600\%$ LRL Zero Suppression or Elevation
- ✓ 4 to 20 mA or 1 to 5 Vdc Output

SPECIFICATIONS

Excitation: 24 Vdc, 7 to 36 Vdc mA output, 6 to 42 Vdc @ 1.6 mA voltage output

Output: 4 to 20 mA (2 wire) or 1 to 5 Vdc (3 wire) jumper selectable

Max Loop Resistance: (Supply voltage - 7) x 50 Ω

Accuracy: $\pm 0.15\%$ of calibrated span (includes linearity, hysteresis and repeatability)

Stability: $\pm 0.25\%$ of URL (upper range limit) 1 year

Span Adjust: 16 to 100% URL (dip switches and pot)

Zero Adjust: -600 to 600% LRL (lower range limit)

Operating Temperature:

Process: -40 to 104°C (-40 to 220°F)

Electrical: -32 to 85°C (-25 to 185°F)

Ambient Total Thermal Effects:

0.010% URL/°F for -25 to 75°F

0.015% URL/°F for 75 to 185°F

(0.020% URL/°F for 100 inH₂O)

Response Time: 63% response 1 ms or 50 ms with damping

EMI Effect: $\pm 1\%$ URL @ 10V/m from 20 to 500 MHz. Meets /SAMA PMC-33-1C with cover in place and electrical wiring in grounded conduit.

PX726A-025GI, \$995, shown smaller than actual size.



Agency Approvals: UL/CUL Class 1, Groups C, D; Class 1, Division 2, Groups A, B, C, D

Wetted Parts: 316 SS

Pressure Port: 1 NPT male

Fill Fluid: DC 200 silicone

Housing: Low copper aluminum, epoxy coated, NEMA 4X (IP66)

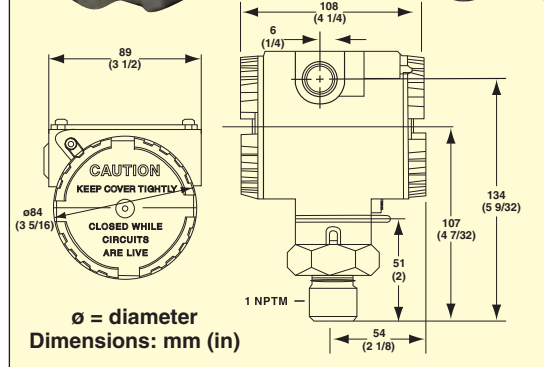
Electrical Connection:

1/2 NPTF conduit, with internal screw terminals

Weight: 1.2 kg (2 lb 8 oz)

Compatible Meters: DP41-E, DP25B-E, DP24-E, DP460, DP3002-E and others.

See section D for complete selection.



MOST POPULAR MODELS HIGHLIGHTED!

To Order (Specify Model Number)

FLUSH MODEL NO.	PRICE	ADJUSTABLE SPAN	MAX WORKING PRES
PX726A-100WCGI	\$995	0-17 to 0-100 inH ₂ O	300 inH ₂ O 74.8 kPa
PX726A-300WCGI	995	0-50 to 0-300 inH ₂ O	900 inH ₂ O 224.3 kPa
PX726A-400WCGI	995	0-67 to 0-400 inH ₂ O	1200 inH ₂ O 299 kPa
PX726A-025GI	995	0-4 to 0-25 psig	75 psi 5.2 bar
PX726A-050GI	995	0-8 to 0-50 psig	150 psi 37.4 bar
PX726A-100GI	995	0-17 to 0-100 psig	300 psi 20.7 bar
PX726A-300GI	995	0-50 to 0-300 psig	900 psi 62 bar
PX726A-500GI	995	0-83 to 0-500 psig	1500 psi 103 bar
PX726A-1KGI	995	0-167 to 0-1000 psig	3000 psi 207 bar
PX726A-3KGI	995	0-500 to 0-3000 psig	4500 psi 310 bar

OPTIONS AND ACCESSORIES

-SUFFIX/MODEL NO.	PRICE	DESCRIPTION
-M	\$175	Integral LCD meter
PX726A-3-150-[range]	175	76 mm (3") Class 150 flange
PX726A-3-300-[range]	230	76 mm (3") Class 300 flange
PX726A-4-150-[range]	230	102 mm (4") Class 150 flange
PX726A-4-300-[range]	330	102 mm (4") Class 300 flange
TX2-100	35	Wire 30 m (100') of 2-conductor shielded pair
OP-17	15	Reference Book: Measure for Measure

Comes complete with operator's manual.

Ordering Examples: PX726A-3-150-100WCGI, flush model with 76 mm (3") Class 150 flange, 0-17 to 0-100 inH₂O adjustable span, \$995 + 175 = \$1170. PX726A-025GI, flush model, 0-4 to 0-25 psig adjustable span, \$995.



UNITED STATES

www.omega.com
1-800-TC-OMEGA
Stamford, CT.

CANADA

www.omega.ca
Laval(Quebec)
1-800-TC-OMEGA

GERMANY

www.omega.de
Deckenpfronn, Germany
0800-8266342

UNITED KINGDOM

www.omega.co.uk
Manchester, England
0800-488-488

FRANCE

www.omega.fr
Guyancourt, France
088-466-342

CZECH REPUBLIC

www.omegaeng.cz
Karviná, Czech Republic
596-311-899

BENELUX

www.omega.nl
Amstelveen, NL
0800-099-33-44



More than 100,000 Products Available!

• Temperature

Calibrators, Connectors, General Test and Measurement Instruments, Glass Bulb Thermometers, Handheld Instruments for Temperature Measurement, Ice Point References, Indicating Labels, Crayons, Cements and Lacquers, Infrared Temperature Measurement Instruments, Recorders Relative Humidity Measurement Instruments, RTD Probes, Elements and Assemblies, Temperature & Process Meters, Timers and Counters, Temperature and Process Controllers and Power Switching Devices, Thermistor Elements, Probes and Assemblies, Thermocouples Thermowells and Head and Well Assemblies, Transmitters, Wire

• Flow and Level

Air Velocity Indicators, Doppler Flowmeters, Level Measurement, Magnetic Flowmeters, Mass Flowmeters, Pitot Tubes, Pumps, Rotameters, Turbine and Paddle Wheel Flowmeters, Ultrasonic Flowmeters, Valves, Variable Area Flowmeters, Vortex Shedding Flowmeters

• pH and Conductivity

Conductivity Instrumentation, Dissolved Oxygen Instrumentation, Environmental Instrumentation, pH Electrodes and Instruments, Water and Soil Analysis Instrumentation

• Data Acquisition

Auto-Dialers and Alarm Monitoring Systems, Communication Products and Converters, Data Acquisition and Analysis Software, Data Loggers Plug-in Cards, Signal Conditioners, USB, RS232, RS485 and Parallel Port Data Acquisition Systems, Wireless Transmitters and Receivers

• Pressure, Strain and Force

Displacement Transducers, Dynamic Measurement Force Sensors, Instrumentation for Pressure and Strain Measurements, Load Cells, Pressure Gauges, Pressure Reference Section, Pressure Switches, Pressure Transducers, Proximity Transducers, Regulators, Strain Gages, Torque Transducers, Valves

• Heaters

Band Heaters, Cartridge Heaters, Circulation Heaters, Comfort Heaters, Controllers, Meters and Switching Devices, Flexible Heaters, General Test and Measurement Instruments, Heater Hook-up Wire, Heating Cable Systems, Immersion Heaters, Process Air and Duct, Heaters, Radiant Heaters, Strip Heaters, Tubular Heaters