

DIFFERENTIAL PRESSURE TRANSMITTER

WITH ADJUSTABLE SPAN AND ZERO

DISCONTINUED

DISCONTINUED

PX760 Series



- ✓ 10:1 Turndown
- ✓ Zero Elevation or Suppression
- ✓ Pushbutton Zero and Span Adjustment
- ✓ Adjustable Damping
- ✓ Linear or Square Root Output
- ✓ Built-In LCD Indicator
- ✓ 3 Valve Manifolds Available

The PX760 is an industrial-grade, microprocessor-based differential pressure transmitter with a 2-wire 4 to 20 mA output. The built-in 4-digit LCD indicator can display the measured pressure in bar, psi, or percent of full scale. Parameters such as span, zero, and damping can be adjusted with the 2 pushbuttons on the digital display. Units can also be configured in the field for a linear or square root output for flow applications.

SPECIFICATIONS

Excitation: 11.5 to 30 Vdc

Power Supply Effect: Negligible between 11.5 and 30 Vdc

Relation Between Supply Voltage:

17 Vdc	250 Ω max
24 Vdc	576 Ω max
30 Vdc	844 Ω max

Output: 4 to 20 mA (2 wire)

Accuracy: ±0.17% of nominal range

Linearity: ±0.1% of nominal range

Repeatability: ±0.1% of nominal range

Hysteresis: ±0.1% of nominal range

Proof Pressure: 725 psi (50 bar) on either side

Max Static Pressure: 725 psi (50 bar)

PX760-20WCDI, shown smaller than actual size.



Static Pressure Effect:

Zero: ±0.5% FS per 150 psi (10 bar)

Span: ±0.5% FS per 150 psi (10 bar)

Operating Temperature:

Electrical: -20 to 80°C (-4 to 176°F)

Process Fluid: -20 to 100°C (-4 to 212°F)

Storage Temperature:

-20 to 90°C (-4 to 194°F)

Temperature Effect

(% of Nominal Range):

Zero: ±0.01%/°C (0.006%/°F)

Span: ±0.01%/°C (0.006%/°F)

LCD Reading:

Relative Humidity: 0 to 100%

Zero Adjustment:

By pushbuttons

Span Adjustment:

By pushbuttons

Digital Display: 4-digit LCD, 5 symbols (bar, mbar, psi, %, s)

Housing: Epoxy-coated cast aluminum alloy

Covers: Reinforced technopolymers

Cover O-Ring: Buna-N

Wetted Parts: Aluminum oxide, 316 SS, FKM

Process Connection: ¼ or ½ FNPT

Electrical Connections: Screw terminals with two ½ FNPT conduit ports

Weight: 4 kg (8.8 lb)

Environmental Protection: IP66

EQUIPMENTS AND PROTECTION SYSTEMS ATEX 94/9/CE

Intrinsic Safety: EExia IIB T6/T5/T4

Ambient Temp (°C): -20 ÷ +40

(T6)/+55 (T5)/+80 (T4)

Agency Approvals: Group II class 1G suitable for zone 0,1,2 – EN60079-10 EC type-examination certificate CESI 10 ATEX 22

Power Supply Parameters:

$U_i = 30V$

$I_i = 152 mA$

$P_i = 0.95 W$

$L_i = 135 \mu H$

$C_i = 10 nF$

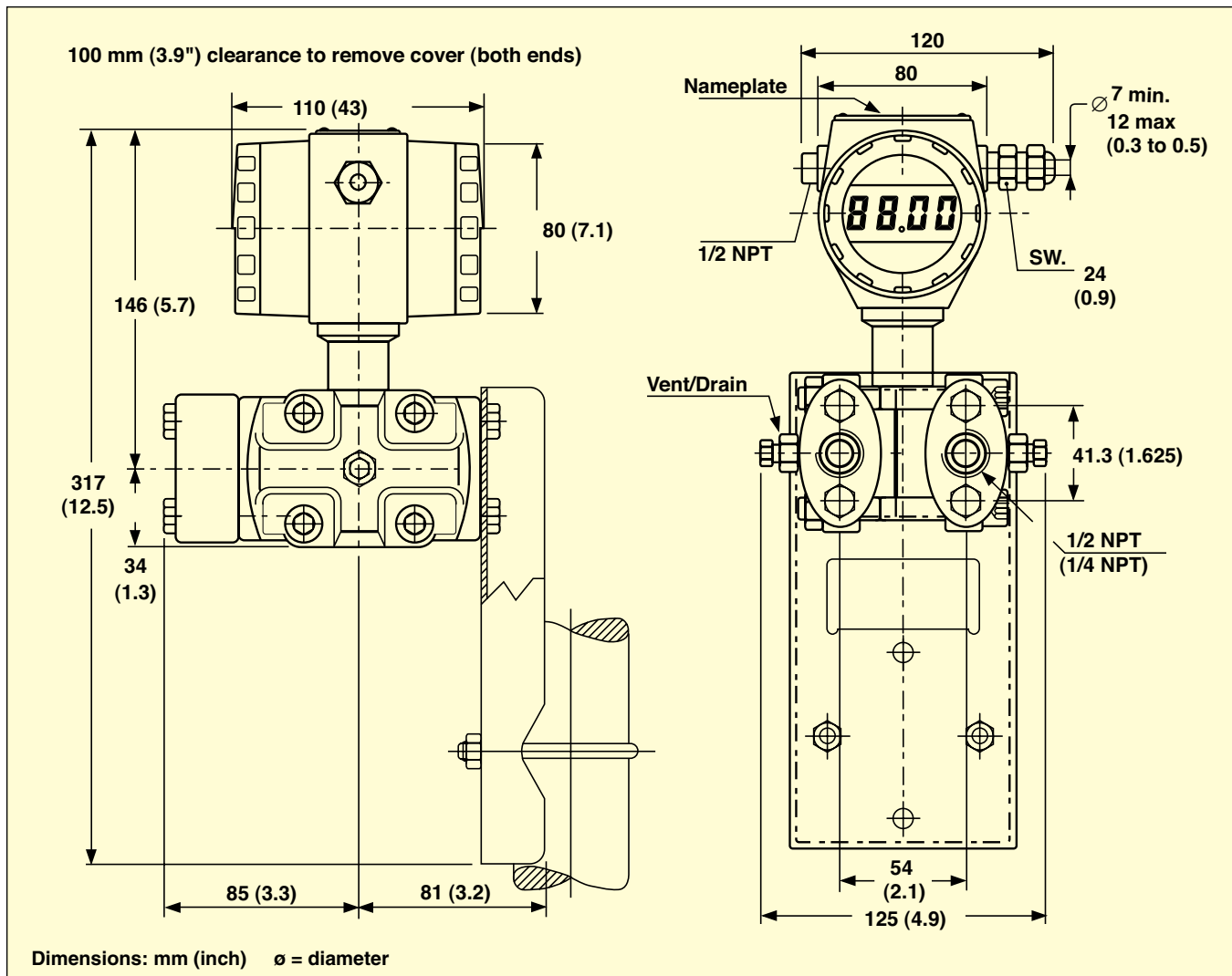
Electromagnetic Compatibility:

Conforms to the standard EN 50081-2 in accordance with EN 50082-2 89/336/EEC and following modifications

DIFFERENTIAL PRESSURE TRANSDUCERS **B**

DIFFERENTIAL PRESSURE TRANSMITTER WITH ADJUSTABLE SPAN AND ZERO

DISCONTINUED



To Order

MODEL NO.	CALIBRATED RANGE	SPAN LIMITS*		RANGE LIMITS		COMPATIBLE METERS**
		MIN	MAX	LOWER	UPPER	
PX760-06WCDI	0 to 6 inH ₂ O	0.7	15.2	-7.6	7.6	DP25B-E, DP41-E, iSeries
PX760-20WCDI	0 to 20 inH ₂ O	2.0	42.1	-21.1	21.1	DP25B-E, DP41-E, iSeries
PX760-100WCDI	0 to 100 inH ₂ O	14.0	295	-147	147	DP25B-E, DP41-E, iSeries
PX760-250WCDI	0 to 250 inH ₂ O	40.1	843	-421	421	DP25B-E, DP41-E, iSeries
PX760-600WCDI	0 to 600 inH ₂ O	100	2108	-1053	1053	DP25B-E, DP41-E, iSeries
PX760-060DI	0 to 60 psi	7.3	152	-76	76	DP25B-E, DP41-E, iSeries
PX760-150DI	0 to 150 psi	14.5	305	-152	152	DP25B-E, DP41-E, iSeries

Accessories

MODEL NO.	DESCRIPTION
GM3XFF	3 valve manifold with flanged process connections
GM3XK8	3 valve manifold with 1/2 NPT female process connections

DISCONTINUED

* Must be within range limits. ** Visit us online for compatible meters. Comes with 1/4 FNPT to 1/2 FNPT adaptors and operator's manual.
Ordering Example: PX760-100WCDI, 0 to 100 inH₂O calibrated range (± 147 inH₂O max range) differential pressure transducer.