

INDUSTRIAL PRESSURE TRANSMITTERS WITH ADJUSTABLE SPAN AND ZERO

DISCONTINUED

Gage/Absolute Pressure
0-2.9 to 0-6686 psi
0-200 mbar to 0-461 bar

PX762 Series



- ✓ 10:1 Turndown
- ✓ Zero Elevation or Suppression
- ✓ Pushbutton Zero and Span Adjustment
- ✓ Adjustable Damping
- ✓ Built-In LCD
- ✓ ATEX Intrinsically Safe

The PX762 is an industrial-grade, microprocessor-based pressure transmitter with a 2-wire 4 to 20 mA output. The built-in 4-digit LCD indicator can display the measured pressure in bar, psi, or percent of full scale. Parameters such as span, zero, and damping can be adjusted with the 2 pushbuttons on the digital display.

SPECIFICATIONS

Excitation: 11.5 to 30 Vdc

Power Supply Effect: Negligible between 11.5 and 30 Vdc

Relation Between Supply Voltage:

17 Vdc	250 Ω max
24 Vdc	576 Ω max
30 Vdc	844 Ω max

Output: 4 to 20 mA (2 wire)

Accuracy: ±0.21% of nominal range

Linearity: ±0.15% of nominal range

Repeatability: ±0.1% of nominal range

Hysteresis: ±0.1% of nominal range

Zero Adjustment: By pushbuttons

Span Adjustment: By pushbuttons

Operating Temperature:

Electrical: -20 to 80°C (-4 to 176°F)

Process Fluid: -20 to 80°C

(-4 to 176°F) for 5 or 15 psi ranges
20 to 80°C (-4 to 176°F) for 30 psi ranges and higher

Storage Temperature: -20 to 90°C (-4 to 194°F)

Ordering Chart
on Page B-178

Temperature Effect
(% of Nominal Range):

Zero: ±0.01%/°C (0.006%/°F)

Span: ±0.01%/°C (0.006%/°F)

Relative Humidity: 0 to 100%

Digital Display: 4-digit LCD,
5 symbols (bar, mbar, psi, %, s)

Housing: Epoxy-coated cast
aluminum alloy

Covers: Reinforced technopolymers

Cover O-Ring: Buna-N

Wetted Parts: Aluminum oxide,
316 SS, FKM

Environmental Protection: IP66

Equipments and Protection
Systems ATEX 94/9/CE

Intrinsic Safety EExia IIB T6/T5/T4

Ambient Temp (°C): -20÷+40
(T6)/+55 (T5)/+80 (T4)

Group II class 1G suitable for
zone 0, 1, 2—EN60079-10 EC
type-examination certificate CESI 10
ATEX 22

Power Supply Parameters: $U_i = 30V$,
 $I_i = 152 mA$, $P_i = 0.95 W$, $L_i = 135 \mu H$,
 $C_i = 10 nF$

Electromagnetic Capability:

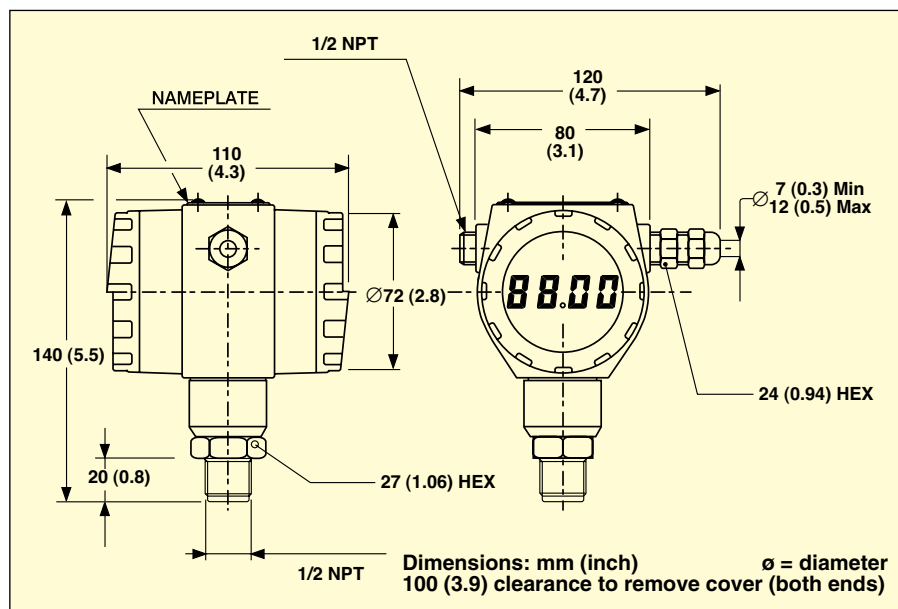
Conforms to the standard EN
50081-2 in accordance with EN
50082-2 89/336/EEC and following
modifications



PX762-1.5K,
shown smaller
than actual size.

Metric thread adaptors
available, visit us online

Process Connection: ½ MNPT
Electrical Connections: Screw
terminals with two ½ NPT conduit ports
Weight: 0.85 kg (1.9 lb)



CURRENT OUTPUT
PRESSURE TRANSDUCERS

B

INDUSTRIAL PRESSURE TRANSMITTER WITH ADJUSTABLE ZERO AND SPAN 316 SS WETTED PARTS

DISCONTINUED

Gage and Absolute Pressure
0-14 inH₂O to 0-400 psi
0-35 mbar to 0-32.5 bar

PX764 Series



- 10:1 Turndown
- Zero Elevation or Suppression
- Pushbutton Zero and Span Adjustment
- Adjustable Damping
- Built-In LCD

The PX764 is an industrial-grade, microprocessor-based pressure transmitter with all 316 SS wetted parts and a 2-wire 4 to 20 mA output. The built-in 4-digit LCD indicator can display the measured pressure in bar, psi, or percent of full scale. Parameters such as span, zero, and damping can be adjusted with the 2 pushbuttons on the digital display.

SPECIFICATIONS

Excitation: 11.5 to 30 Vdc

Power Supply Effect: Negligible between 11.5 and 30 Vdc

Relation Between Supply Voltage:

17 Vdc	250 Ω max
24 Vdc	576 Ω max
30 Vdc	844 Ω max

Output: 4 to 20 mA (2 wire)

Accuracy: ±0.17% of nominal range

Linearity: ±0.1% of nominal range

Repeatability: ±0.1% of nominal range

Hysteresis: ±0.1% of nominal range

Zero Adjustment: By pushbuttons

Span Adjustment: By pushbuttons

Operating Temperature:

Electrical: -20 to 80°C (-4 to 176°F)

Process Fluid: -20 to 80°C

(-4 to 176°F) for 5 or 15 psi ranges
20 to 80°C (-4 to 176°F) for 30 psi ranges and higher

Storage Temperature: -20 to 90°C (-4 to 194°F)

Temperature Effect
(% of Nominal Range):

Zero: ±0.01%/°C (0.006%/°F)

Span: ±0.01%/°C (0.006%/°F)

Relative Humidity: 0 to 100%

Digital Display: 4-digit LCD, 5 symbols (bar, mbar, psi, %, s)

Housing: Epoxy-coated cast aluminum alloy

Cover O-Ring: Buna-N

Wetted Parts: 316 SS

Filling Fluid: Silicone oil

Environmental Protection: IP66

Equipments and Protection Systems
ATEX 94/9/CE

Intrinsic Safety EExia IIB T6/T5/T4

Ambient Temp (°C): -20÷+40 (T6)/+55 (T5)/+80 (T4)

Group II class 1G suitable for zone 0, 1, 2—EN60079-10 EC type-examination certificate CESI 10 ATEX 22

Power Supply Parameters: U_i = 30V, I_i = 152 mA, P_i = 0.95 W, L_i = 135 μH, C_i = 10 nF

Electromagnetic Capability:

Conforms to the standard EN 50081-2 in accordance with EN 50082-2 89/336/EEC and following modifications

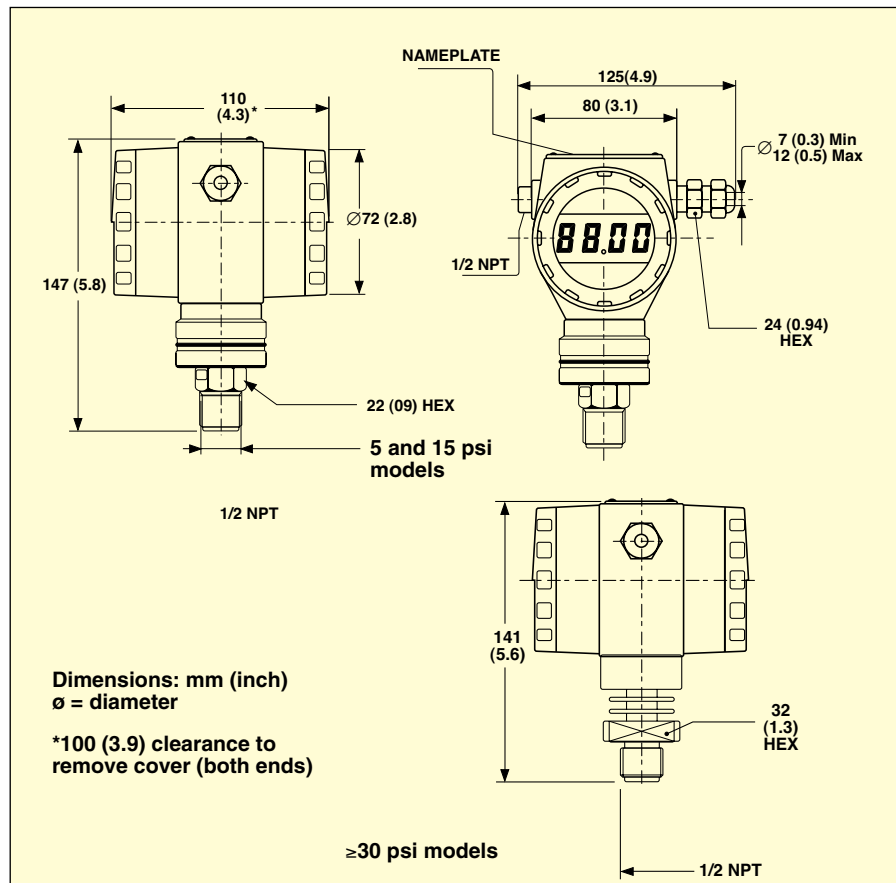


PX764-150GI, shown smaller than actual size.

Process Connection: ½ MNPT

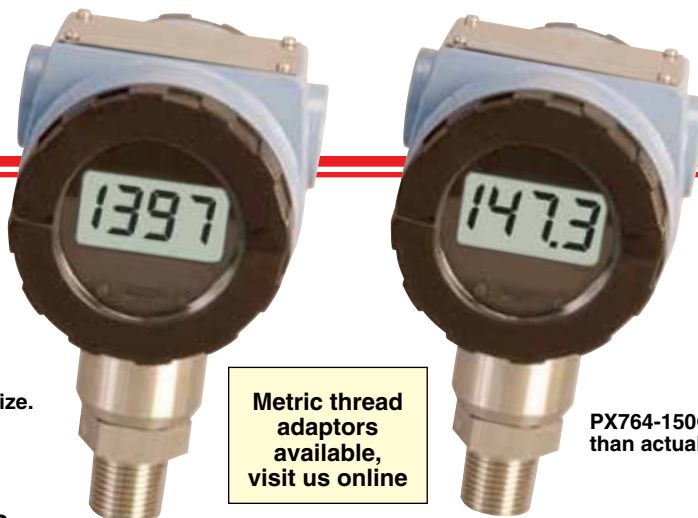
Electrical Connections: Screw terminals with two ½ NPT conduit ports

Weight: 1.4 kg (3.1 lb)



**Al₂O₃, 316 SS and
FKM Wetted Parts**

PX762-1.5K shown
smaller than actual size.



**Metric thread
adaptors
available,
visit us online**

**316 SS
Wetted Parts**

PX762-150GI shown smaller
than actual size.

**PX762 Series—Aluminum Oxide,
316 SS and FKM Wetted Parts**

To Order

MODEL NO.	CALIBRATED RANGE	ADJUSTABLE SPAN	PROOF PRESSURE		COMPATIBLE METERS*
			psi	bar	
ABSOLUTE PRESSURE			psi	bar	
PX762-030AI	0 to 30 psia	0-2.9 to 0-33 psia	102	7	iSeries, DP25B-E, DP41-E
PX762-075AI	0 to 75 psia	0-7.25 to 83 psia	174	12	iSeries, DP25B-E, DP41-E
PX762-150AI	0 to 150 psia	0-14.5 to 0-167 psia	363	25	iSeries, DP25B-E, DP41-E
GAGE PRESSURE			psi	bar	
PX762-030GI	0 to 30 psig	0-2.9 to 0-47.9 psig	102	7	iSeries, DP25B-E, DP41-E
PX762-075GI	0 to 75 psig	0-7.25 to 97.9 psig	174	12	iSeries, DP25B-E, DP41-E
PX762-150GI	0 to 150 psig	0-14.5 to 0-181 psig	363	25	iSeries, DP25B-E, DP41-E
PX762-300GI	0 to 300 psig	0-29 to 0-348 psig	725	50	iSeries, DP25B-E, DP41-E
PX762-750GI	0 to 750 psig	0-72.5 to 0-848 psig	1740	120	iSeries, DP25B-E, DP41-E
PX762-1500GI	0 to 1500 psig	0-145 to 0-1682 psig	3625	250	iSeries, DP25B-E, DP41-E
PX762-3000GI	0 to 3000 psig	0-290 to 0-3350 psig	7250	500	iSeries, DP25B-E, DP41-E
PX762-6000GI	0 to 6000 psig	0-580 to 0-6686 psig	8700	600	iSeries, DP25B-E, DP41-E

Comes complete with operator's manual.

* Visit us online for compatible meters.

Ordering Example: PX762-150GI, 0 to 150 psi gage pressure transducer.

PX764 Series—316 SS Wetted Parts

DISCONTINUED

To Order

MODEL NO.	CALIBRATED RANGE	ADJUSTABLE SPAN	PROOF PRESSURE		COMPATIBLE METERS*
			psi	bar	
ABSOLUTE PRESSURE			psi	bar	
PX764-005AI	0 to 138 inH ₂ O	0-14 to 0-147 inH ₂ O	29	2	iSeries, DP25B-E, DP41-E
PX764-015AI	0 to 415 inH ₂ O	0-40 to 0-421 inH ₂ O	87	6	iSeries, DP25B-E, DP41-E
PX764-030AI	0 to 830 inH ₂ O	0-100 to 0-1053 inH ₂ O	145	10	iSeries, DP25B-E, DP41-E
PX764-060AI	0 to 60 psia	0-7.25 to 0-76 psia	232	16	iSeries, DP25B-E, DP41-E
PX764-150AI	0 to 150 psia	0-14.5 to 0-152 psia	435	30	iSeries, DP25B-E, DP41-E
GAGE PRESSURE			psi	bar	
PX764-005GI	0 to 138 inH ₂ O	0-14 to 0-147 inH ₂ O	319	22	iSeries, DP25B-E, DP41-E
PX764-015GI	0 to 415 inH ₂ O	0-40 to 0-421 inH ₂ O	87	6	iSeries, DP25B-E, DP41-E
PX764-030GI	0 to 830 inH ₂ O	0-100 to 0-1053 inH ₂ O	145	10	iSeries, DP25B-E, DP41-E
PX764-060GI	0 to 60 psig	0-7.25 to 0-76 psig	232	16	iSeries, DP25B-E, DP41-E
PX764-150GI	0 to 150 psig	0-14.5 to 0-152 psig	435	30	iSeries, DP25B-E, DP41-E
PX764-400GI	0 to 400 psig	0-14.5 to 0-456 psig	1088	75	iSeries, DP25B-E, DP41-E

Comes complete with operator's manual.

* Visit us online for compatible meters.

Ordering Example: PX764-150GI, 0 to 150 psi gage pressure transducer with 316 SS wetted parts.



**CURRENT OUTPUT
PRESSURE TRANSDUCERS**

B