

HIGH-ACCURACY VOLTAGE OUTPUT PRESSURE TRANSDUCER WITH SHUNT FOR QUICK CALIBRATION CHECKS

PX951 Series
 0-10 to 0-7500 psi
 0-0.7 to 0-500 bar

Starts at
\$675



PX951-1KS5V, \$675, shown smaller than actual size.



Zero and span adjustments.



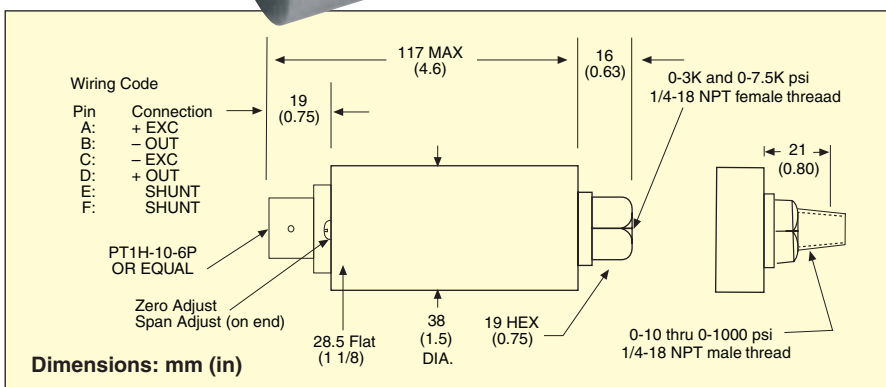
- ✓ **Stainless Steel Diaphragm for Compatibility with Most Media**
- ✓ **1/4 NPT Fitting for Fast, Easy, and Secure Installation**
- ✓ **Rugged Stainless Steel Case Protects Components from Industrial Environments**
- ✓ **Quick Disconnect Style for Easy Field Connections**
- ✓ **0 to 5 Vdc Output for Maximum Versatility**
- ✓ **Adjustable Zero and Span**
- ✓ **Units ≤50 psi are Vented Gage for High Precision**

SPECIFICATIONS

Excitation: 24 to 32 Vdc @ 25 mA
Output: 0 to 5 Vdc (4 wire) ±10% adj
Insulation Resistance: 5 MΩ @ 75 Vdc

PERFORMANCE

Accuracy: ±0.15% (combined effect of linearity, hysteresis and repeatability)
Hysteresis: ±0.10% typical
Repeatability: +0.05% typical
Zero Balance: 0 Vdc ±10% adj
Shunt Value: 80% full scale
Response Time: 2 ms
Operating Temperature Range: -45 to 121°C (-50 to 250°F)
Compensated Temperature Range: 16 to 71°C (60 to 160°F)
Thermal Zero Effect: ±0.005% full scale/°F
Thermal Sensitivity Effect: ±0.005% reading/°F
Proof Pressure: 150% range



Burst Pressure: 300% range

CONSTRUCTION

Body Material: 17-4 PH stainless steel
Diaphragm Material: 17-4 PH stainless steel
Pressure Port: 1/4-18 NPT

Male Thread: 10 to 1000 psi
Female thread: 3000 to 7500 psi

Mating Connector: PT06F-10-6S (not included)
Weight: 383 g (13.5 oz)

MOST POPULAR MODELS HIGHLIGHTED!

To Order (Specify Model Number)

RANGE	MODEL NO.	PRICE	COMPATIBLE METERS*
0 to 10 psi	PX951-010G5V	\$695	DP41-E, DP25B-E, DP460
0 to 25 psi	PX951-025G5V	695	DP41-E, DP25B-E, DP460
0 to 50 psi	PX951-050G5V	675	DP41-E, DP25B-E, DP460
0 to 100 psi	PX951-100S5V	675	DP41-E, DP25B-E, DP460
0 to 200 psi	PX951-200S5V	675	DP41-E, DP25B-E, DP460
0 to 500 psi	PX951-500S5V	675	DP41-E, DP25B-E, DP460
0 to 1000 psi	PX951-1KS5V	675	DP41-E, DP25B-E, DP460
0 to 3000 psi	PX951-3KS5V	675	DP41-E, DP25B-E, DP460
0 to 5000 psi	PX951-5KS5V	675	DP41-E, DP25B-E, DP460
0 to 7500 psi	PX951-7.5KS5V	675	DP41-E, DP25B-E, DP460

Comes with 5-point calibration.

* See section D for compatible meters.

Absolute ranges available, replace "G" or "S" with "A" in model number and add \$75.

Ordering Examples: PX951-050G5V, 50 psi gage transmitter with 0 to 5 Vdc output, \$675.
 PX951-1KA5V, 1000 psi absolute transmitter with 0 to 5 Vdc output, \$675 + \$75 = \$750.
 PT06F-10-6S, mating connector (not included), \$26.50.

ACCESSORY

MODEL NO.	PRICE	DESCRIPTION
ME-1756	\$110	Reference Book: Practical Injection Molding





UNITED STATES

www.omega.com
1-800-TC-OMEGA
Stamford, CT.

CANADA

www.omega.ca
Laval(Quebec)
1-800-TC-OMEGA

GERMANY

www.omega.de
Deckenpfronn, Germany
0800-8266342

UNITED KINGDOM

www.omega.co.uk
Manchester, England
0800-488-488

FRANCE

www.omega.fr
Guyancourt, France
088-466-342

CZECH REPUBLIC

www.omegaeng.cz
Karviná, Czech Republic
596-311-899

BENELUX

www.omega.nl
Amstelveen, NL
0800-099-33-44



More than 100,000 Products Available!

• Temperature

Calibrators, Connectors, General Test and Measurement Instruments, Glass Bulb Thermometers, Handheld Instruments for Temperature Measurement, Ice Point References, Indicating Labels, Crayons, Cements and Lacquers, Infrared Temperature Measurement Instruments, Recorders Relative Humidity Measurement Instruments, RTD Probes, Elements and Assemblies, Temperature & Process Meters, Timers and Counters, Temperature and Process Controllers and Power Switching Devices, Thermistor Elements, Probes and Assemblies, Thermocouples Thermowells and Head and Well Assemblies, Transmitters, Wire

• Flow and Level

Air Velocity Indicators, Doppler Flowmeters, Level Measurement, Magnetic Flowmeters, Mass Flowmeters, Pitot Tubes, Pumps, Rotameters, Turbine and Paddle Wheel Flowmeters, Ultrasonic Flowmeters, Valves, Variable Area Flowmeters, Vortex Shedding Flowmeters

• pH and Conductivity

Conductivity Instrumentation, Dissolved Oxygen Instrumentation, Environmental Instrumentation, pH Electrodes and Instruments, Water and Soil Analysis Instrumentation

• Data Acquisition

Auto-Dialers and Alarm Monitoring Systems, Communication Products and Converters, Data Acquisition and Analysis Software, Data Loggers Plug-in Cards, Signal Conditioners, USB, RS232, RS485 and Parallel Port Data Acquisition Systems, Wireless Transmitters and Receivers

• Pressure, Strain and Force

Displacement Transducers, Dynamic Measurement Force Sensors, Instrumentation for Pressure and Strain Measurements, Load Cells, Pressure Gauges, Pressure Reference Section, Pressure Switches, Pressure Transducers, Proximity Transducers, Regulators, Strain Gages, Torque Transducers, Valves

• Heaters

Band Heaters, Cartridge Heaters, Circulation Heaters, Comfort Heaters, Controllers, Meters and Switching Devices, Flexible Heaters, General Test and Measurement Instruments, Heater Hook-up Wire, Heating Cable Systems, Immersion Heaters, Process Air and Duct, Heaters, Radiant Heaters, Strip Heaters, Tubular Heaters