

VERY-HIGH-ACCURACY CURRENT OUTPUT TRANSMITTER

STANDARD AND METRIC MODELS

4 to 20 mA Output
0-2 to 0-30,000 psi
0-150 mbar to 0-400 bar

STANDARD
 PX01C0-100GI,
 shown smaller than
 actual size.

Cable style.

Twist-lock
style.

METRIC
 PXM01MC1-010BARGI,
 shown smaller than
 actual size.

PX01/PXM01 Series

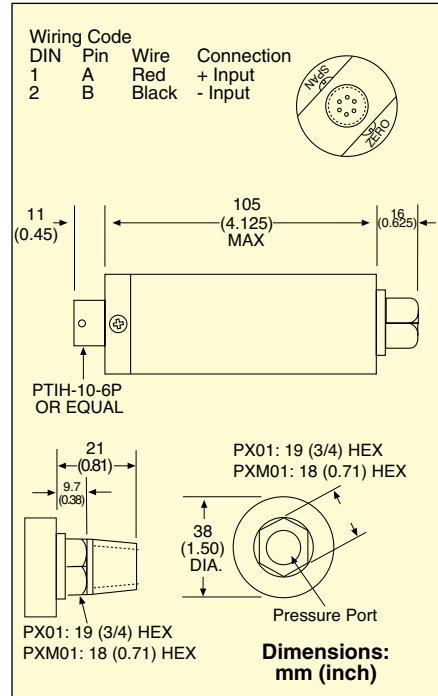


- ✓ 0.05% Linearity
- ✓ 5-Point Calibration Provided
- ✓ All Stainless Steel Construction
- ✓ Hermetically Sealed Design for Harsh Environments
- ✓ Available in Gage, Absolute, Sealed Gage, psi, and Metric Ranges
- ✓ Cable or Connector Models
- ✓ Optional Pressure Ports to Fit Most Industrial Applications

OMEGA's PX01/PXM01 are very high-accuracy, low-noise, 4 to 20 mA output industrial pressure transmitters. Their all stainless steel construction and hermetically sealed case make them suitable for harsh environments. A broad temperature-compensated range of 15 to 71°C (60 to 160°F) makes these transmitters very stable with fluctuating temperatures.

SPECIFICATIONS

4 to 20 mA Output
Excitation: 10 to 40 Vdc
Output: 4 to 20 mA ± 0.06 mA
Zero Balance: +4 mA ± 0.02 mA
Linearity: $\pm 0.05\%$ FSO
Hysteresis: $\pm 0.05\%$ FSO
Repeatability: $\pm 0.05\%$ FSO
Sensing Element: 4-active-arm bridge, using thick-film strain gages in a hermetically sealed chamber (except gage units)
Operating Temp Range: -46 to 121°C (-50 to 250°F)
Compensated Temp Range: 16 to 71°C (60 to 160°F)
Thermal Effects:
Span: 0.003% FSO/°F
Zero: 0.003% FSO/°F
Proof Pressure: 150% of rated pressure
Burst Pressure: 300% of rated pressure
Wetted Parts: 17-4 PH stainless steel
Pressure Port: See custom configurations on next page



Electrical Connection: See custom configurations on next page
Mating Connector: PT06F10-6S, sold separately
Weight: 388 g (13.7 oz)

CURRENT OUTPUT
PRESSURE TRANSDUCERS
B

VERY-HIGH-ACCURACY ALL STAINLESS STEEL TRANSMITTER

STANDARD CUSTOM CONFIGURATIONS—Additional cost may apply

PX01 SERIES	PRESSURE PORT [1]	ELECTRICAL CONNECTION [2]	RANGE (psi) [3]	UNITS [4]	OUTPUT [5]	OPTIONS [6]
Models <10,000 psi			002*	A,G,S	I = 4 to 20 mA	OL = Overload stops when available OX = Cleaned for oxygen use plus 2 weeks ()ft = Optional cable length in feet
C = 1/4-18 NPT-M			005*	A,G,S		
D = 1/4-18 NPT-F			010	A,G,S		
J = 7/16-20 UNF-M			015	A,G,S		
K = 7/16-20 UNF-F			020	A,G,S		
Models ≥10,000 psi			025	A,G,S		
S = 1/4 HP tube fitting,			050	A,G,S		
			075	A,G,S		
			100	A,G,S		
	0 = 3 m (10') cable (std)		150	A,G,S		
	1 = PTIH-10-6P connector (or equal)		200	A,G,S		
	Mating connector (sold separately), order PT06F-10-6S		250	A,G,S		
	5 = Lightning-protected amplifier box (4 to 20 mA models only)		300	A,G,S		
	6 = mini DIN connector* *no shunt cal		500	A,G,S		
			750	A,G,S		
			1K	A,G,S		
			1.5K	A,G,S		
			2K	A,G,S		
			3K	A,G,S		
			3.5K	A,G,S		
			5K	A,G,S		
			7.5K	A,G,S		
			10K†	A,G,S		
			20K†	A,G,S		
			30K†	A,G,S		

For additional options including extended compensated temperatures, visit us online

* 2 and 5 psi ranges available only on amplified output.
† Supplied with 1/4 HP tube fitting.

To order a custom configuration:

1. Select a pressure port
2. Select electrical connection
3. Select a pressure range
4. Select pressure units
5. Select output
6. Select options

Ordering Examples: *PX01C1-100GI*, 100 psi gage pressure transducer with 1/4-18 NPT male fitting, *PTIH-10-6P*, connector and 4 to 20 mA output, *PT06F10-6S*, mating connector (sold separately).

PX01J1-015AI, 15 psi absolute pressure transducer with 7/16-20 UNF male fitting, *PTIH-10-6P*, connector 4 to 20 mA output, *PT06F10-6S*, mating connector (sold separately).

METRIC CUSTOM CONFIGURATIONS

PXM01 SERIES	PRESSURE PORT [1]	ELECTRICAL CONNECTION [2]	RANGE (BAR) [3]	UNITS [4]	OUTPUT [5]	OPTIONS [6]
MA = G1/8B Male			0.16	A, G, S	I = 4 to 20 mA	OX = Cleaned for oxygen service OL = Overload stops ()m = Optional cable length in meters
MB = G1/8B Female			0.4	A, G, S		
MC = G1/4B Male			1.0	A, G, S		
MD = G1/4B Female			1.6	A, G, S		
			2.5	A, G, S		
			4.0	A, G, S		
			6.0	A, G, S		
	0 = 3 m (10') cable (std)		10	A, G, S		
	1 = PTIH-10-6P connector (or equal)		16	A, G, S		
	6 = mini DIN connector* *no shunt cal		25	A, G, S		
			40	A, G, S		
			60	A, G, S		
			100	A, G, S		
			160	A, G, S		
			250	A, G, S		
			400	A, G, S		

For additional options including extended compensated temperatures, visit us online

To order a custom configuration:

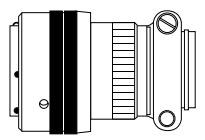
1. Select a pressure port
2. Select electrical connection
3. Select a pressure range
4. Select pressure units – absolute, gage or sealed gage
5. Select output
6. Select options

Ordering Examples: *PXM01MB0-010BARS*, 10 bar sealed gage pressure transducer with G1/8B female connection, 3 m (10') cable termination, and 4 to 20 mA output.

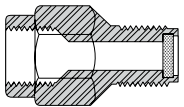
PXM01MC1-010BARA, 10 bar absolute pressure transducer with G1/4B male connection, twist-lock connector and 4 to 20 mA output, *PT06F10-6S*, mating connector (sold separately).



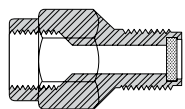
STANDARD
PX01C0-100GI,
shown smaller
than actual size.



**Mating
Connector
PT06F10-6S**



**1/4 NPT Pressure
Snubbers:**
PS-4G = Gas
PS-4E = Lt Oil
PS-4D = Dense Lq



**3/8" Pressure
Snubbers:**
PS-4G-MG = Gas
PS-4E-MG = Lt Oil
PS-4D-MG = Dense
Liquid

Comes complete with 5-point calibration.
† Visit us online for compatible meters.

[*] = Insert "0" for 3 m (10') cable,
"1" for twist-lock connector,
or "6" for mini DIN connector.

To order absolute pressure models, replace
"G" in model number with "A"
To order sealed gage models, replace "G" in
model number with "S"

Ordering Examples: PX01K1-1KGI,
1000 psi gage transducer with 4 to 20 mA
output, twist lock connector and 1/16-20 UNF
female pressure connection.
PT06F10-6S, mating connector
(sold separately).

PXM01MB0-010BARAI, 10 bar absolute
transmitter with 4 to 20 mA output, 3 m (10')
cable with 1/2 NPT conduit fitting and
G 1/2 female pressure connection.

STANDARD MODELS

To Order

RANGE psi	bar	1/16-20 UNF MODEL NO.	1/2 NPT MODEL NO.	COMPATIBLE METERS†
ABSOLUTE PRESSURE (All Ranges Available in Absolute Pressure)				
0 to 10	0 to 0.69	PX01K[*]-010AI	PX01C[*]-010AI	DP41-E, DP25B-E
0 to 15	0 to 1.0	PX01K[*]-015AI	PX01C[*]-015AI	DP41-E, DP25B-E
0 to 20	0 to 1.4	PX01K[*]-020AI	PX01C[*]-020AI	DP41-E, DP25B-E
0 to 25	0 to 1.7	PX01K[*]-025AI	PX01C[*]-025AI	DP41-E, DP25B-E
0 to 50	0 to 3.4	PX01K[*]-050AI	PX01C[*]-050AI	DP41-E, DP25B-E
GAGE PRESSURE (All Ranges Also Available in Sealed Gage Pressure)				
0 to 2	0 to 0.14	PX01K[*]-002GI	PX01C[*]-002GI	DP41-E, DP25B-E
0 to 5	0 to 0.34	PX01K[*]-005GI	PX01C[*]-005GI	DP41-E, DP25B-E
0 to 10	0 to 0.69	PX01K[*]-010GI	PX01C[*]-010GI	DP41-E, DP25B-E
0 to 15	0 to 1.0	PX01K[*]-015GI	PX01C[*]-015GI	DP41-E, DP25B-E
0 to 50	0 to 3.4	PX01K[*]-050GI	PX01C[*]-050GI	DP41-E, DP25B-E
0 to 75	0 to 5.2	PX01K[*]-075GI	PX01C[*]-075GI	DP41-E, DP25B-E
0 to 100	0 to 6.9	PX01K[*]-100GI	PX01C[*]-100GI	DP41-E, DP25B-E
0 to 200	0 to 13.8	PX01K[*]-200GI	PX01C[*]-200GI	DP41-E, DP25B-E
0 to 300	0 to 20.7	PX01K[*]-300GI	PX01C[*]-300GI	DP41-E, DP25B-E
0 to 500	0 to 34.5	PX01K[*]-500GI	PX01C[*]-500GI	DP41-E, DP25B-E
0 to 1000	0 to 68.9	PX01K[*]-1KGI	PX01C[*]-1KGI	DP41-E, DP25B-E
0 to 1500	0 to 103	PX01K[*]-1.5KGI	PX01C[*]-1.5KGI	DP41-E, DP25B-E
0 to 2000	0 to 138	PX01K[*]-2KGI	PX01C[*]-2KGI	DP41-E, DP25B-E
0 to 3500	0 to 241	PX01K[*]-3.5KGI	PX01C[*]-3.5KGI	DP41-E, DP25B-E
0 to 5000	0 to 345	PX01K[*]-5KGI	PX01C[*]-5KGI	DP41-E, DP25B-E
0 to 7500	0 to 517	PX01K[*]-7.5KGI	PX01C[*]-7.5KGI	DP41-E, DP25B-E
0 to 10,000**	0 to 689	PX01S[*]-10KGI	PX01S[*]-10KGI	DP41-E, DP25B-E*
0 to 20,000**	0 to 1379	PX01S[*]-20KGI	PX01S[*]-20KGI	DP41-E, DP25B-E*
0 to 30,000**	0 to 2068	PX01S[*]-30KGI	PX01S[*]-30KGI	DP41-E, DP25B-E*

* 4-digit meter, counts in increments of 10.
† Visit us online for compatible meters.

** 1/2 HP tube fitting.
[*] = Insert "0" for 3 m (10') cable,
"1" for twist-lock connector,
or "6" for mini DIN connector.

METRIC MODELS

Models with G 1/2 Female Pressure Connection, Cable or Connector and 4 to 20 mA Output

RANGE	MODEL NO.	COMPATIBLE METERS†
GAGE PRESSURE		
0 to 0.16 bar	0 to 2.32 psi	PXM01MD[*]-160mBARGI
0 to 0.4 bar	0 to 5.8 psi	PXM01MD[*]-400mBARGI
0 to 1 bar	0 to 15 psi	PXM01MD[*]-001BARGI
0 to 1.60 bar	0 to 23 psi	PXM01MD[*]-1.60BARGI
0 to 2.50 bar	0 to 36 psi	PXM01MD[*]-2.50BARGI
0 to 4 bar	0 to 58 psi	PXM01MD[*]-004BARGI
0 to 6 bar	0 to 87 psi	PXM01MD[*]-006BARGI
0 to 10 bar	0 to 145 psi	PXM01MD[*]-010BARGI
0 to 16 bar	0 to 232 psi	PXM01MD[*]-016BARGI
0 to 25 bar	0 to 363 psi	PXM01MD[*]-025BARGI
0 to 40 bar	0 to 580 psi	PXM01MD[*]-040BARGI
0 to 60 bar	0 to 870 psi	PXM01MD[*]-060BARGI
0 to 100 bar	0 to 1450 psi	PXM01MD[*]-100BARGI
0 to 160 bar	0 to 2321 psi	PXM01MD[*]-160BARGI
0 to 250 bar	0 to 3626 psi	PXM01MD[*]-250BARGI
0 to 400 bar	0 to 5802 psi	PXM01MD[*]-400BARGI

ACCESSORY

MODEL NO.	DESCRIPTION
PT06F10-6S	Mating connector for PX01 units with twist-lock connector