

HIGH-ACCURACY CURRENT OUTPUT TRANSDUCER

STANDARD AND METRIC MODELS

1/16"-20 or 1/4" NPT Connections
4 to 20 mA Output
0-2 to 0-30,000 psi-Standard Models
0-150 mbar to 0-400 bar-Metric Models

PX02/PXM02 Series

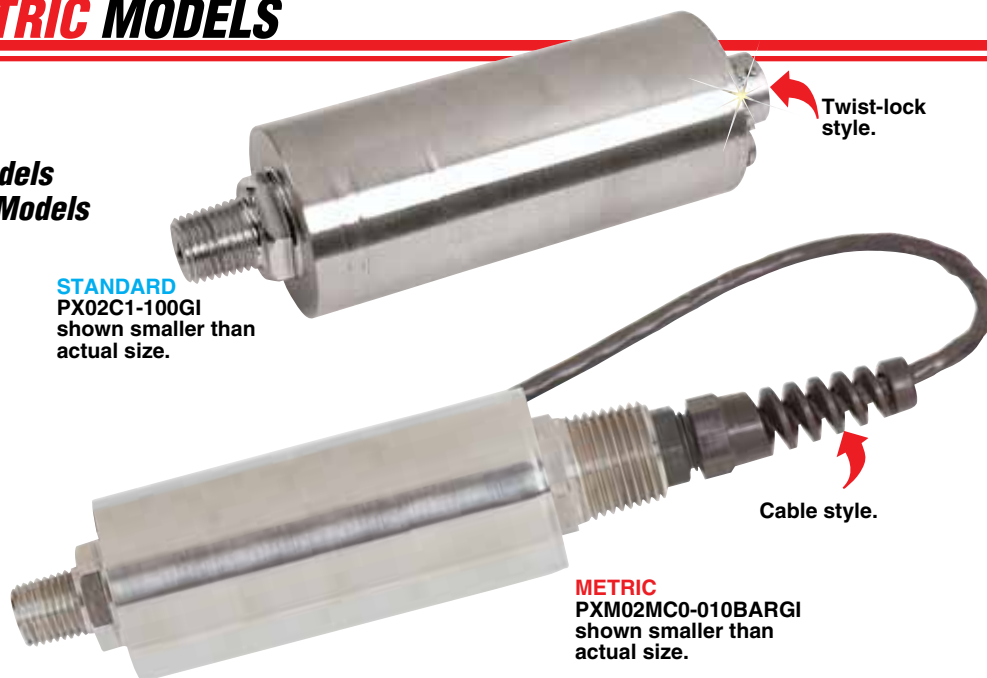


Standard

- ✓ High Accuracy
- ✓ 5-Point Calibration Provided
- ✓ All Stainless Steel Construction
- ✓ Hermetically Sealed Design for Harsh Environments
- ✓ Available in Gage, Absolute, Sealed Gage, psi, and Metric Ranges
- ✓ Cable or Connector Models
- ✓ Optional Pressure Ports to Fit Most Industrial Applications

OMEGA's PX02/PXM02 are high-accuracy industrial pressure transmitters. All stainless steel construction and a sealed case make the PX02/PXM02 suitable for harsh industrial environments. It is a true high-accuracy industrial device. A broad temperature-compensated range of 16 to 71°C (60 to 160°F) and a high operating range to 121°C (250°F) make these transducers very stable for applications with fluctuating temperatures.

The PX02 is available in gage, absolute, or sealed models, as well as in psi or metric ranges. NPT and 1/16"-20 O-ring seal fittings are available for industrial and hydraulic applications.



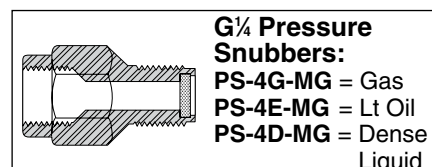
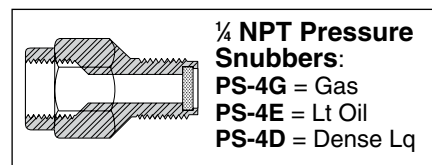
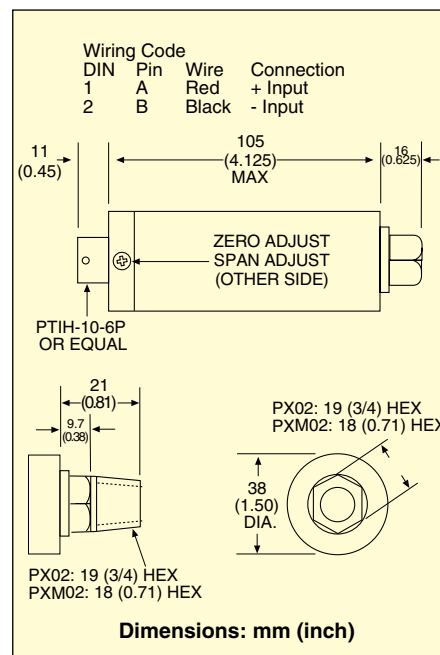
STANDARD
PX02C1-100GI
 shown smaller than actual size.

METRIC
PXM02MC0-010BARGI
 shown smaller than actual size.

SPECIFICATIONS

4 to 20 mA Output
Excitation: 10 to 40 Vdc
Output: 4 to 20 mA ±10% adj
Zero Balance: 4 mA +10% -2% adj
Linearity: ±0.15% FSO
Hysteresis: ±0.1% FSO
Repeatability: ±0.05% FSO
Sensing Element: 4-active-arm bridge, using thick-film strain gages in a hermetically sealed chamber (except gage units)
Operating Temp Range: -46 to 121°C (-50 to 250°F)
Compensated Temp Range: 16 to 71°C (60 to 160°F)
Thermal Effects:
Span: 0.009% FSO/°C
Zero: 0.009% FSO/°C

Proof Pressure: 150% of rated pressure
Burst Pressure: 300% of rated pressure
Wetted Parts: 17-4 PH stainless steel
Pressure Port: See custom configurations table on next page
Electrical Connection: See custom configurations table on next page
Mating Connector: PT06F10-6S (sold separately)
Weight: 388 g (13.7 oz)



HIGH-ACCURACY ALL STAINLESS STEEL TRANSDUCER



CURRENT OUTPUT
PRESSURE TRANSDUCERS
B

STANDARD CUSTOM CONFIGURATIONS

PX02 SERIES	PRESSURE PORT [1]	ELECTRICAL CONNECTION [2]	RANGE (psi) [3]	UNITS [4]	OUTPUT [5]	OPTIONS [6]
Models < 10,000 psi			002*	A, G, S	I = 4 to 20 mA output	OL = Overload stops + additional cost when available OX = Cleaned for oxygen service + additional cost plus 2 weeks ()ft = Optional cable length in feet
C = 1/4-18 NPT-M			005*	A, G, S		
D = 1/4-18 NPT-F			010	A, G, S		
J = 7/16-20 UNF-M			015	A, G, S		
K = 7/16-20 UNF-F			020	A, G, S		
Models ≥ 10,000 psi			025	A, G, S		
S = 1/4 HP tube fitting			050	A, G, S		
			075	A, G, S		
			100	A, G, S		
			150	A, G, S		
0 = 3 m (10') cable (std)			200	A, G, S		
			250	A, G, S		
			300	A, G, S		
			500	A, G, S		
			750	A, G, S		
			1K	A, G, S		
			1.5K	A, G, S		
			2K	A, G, S		
			3K	A, G, S		
			3.5K	A, G, S		
			5K	A, G, S		
			7.5K	A, G, S		
			10K†	A, G, S		
			20K†	A, G, S		
			30K†	A, G, S		
For additional options, including extended temperature ranges, see omega.com						

To order a custom configuration:

1. Select a pressure port
2. Select electrical connection
3. Select a pressure range
4. Select pressure units
5. Select output
6. Select options

Ordering Example: PX02C1-100GI, 100 psi gage pressure transducer with 1/4-18 NPT male fitting, PTIH-10-6P, connector, and 4 to 20 mA output, PT06F10-6S, mating connector (sold separately).

METRIC CUSTOM CONFIGURATIONS

PXM02 SERIES	PRESSURE PORT [1]	ELECTRICAL CONNECTION [2]	RANGE (BAR) [3]	UNITS [4]	OUTPUT [5]	OPTIONS [6]
MA = G3/8 Male			0.16	A, G, S	I = 4 to 20 mA	OX = Cleaned for oxygen service OL = Overload stops ()m = Optional cable length in meters
MB = G3/8 Female			0.4	A, G, S		
MC = G1/2 Male			1.0	A, G, S		
MD = G1/2 Female			1.6	A, G, S		
			2.5	A, G, S		
			4.0	A, G, S		
			6.0	A, G, S		
			10	A, G, S		
			16	A, G, S		
			25	A, G, S		
			40	A, G, S		
			60	A, G, S		
			100	A, G, S		
			160	A, G, S		
			250	A, G, S		
			400	A, G, S		
For additional options, including extended compensated temperatures, see omega.com						

To order a custom configuration:

1. Select a pressure port
2. Select electrical connection
3. Select a pressure range
4. Select pressure units – absolute, gage or sealed gage
5. Select output
6. Select options

Ordering Examples: PXM02MB0-010BARS, 10 bar sealed gage pressure transducer with G3/8 female connection and 3 m (10') cable termination.

PXM02MD1-010BARAI, 10 bar absolute pressure transducer with G3/8 female connection and twist-lock connector. PT06F10-6S, mating connector (sold separately).

HIGH-ACCURACY CURRENT OUTPUT TRANSDUCER STANDARD AND METRIC MODELS

STANDARD MODELS

To Order				
RANGE		1/16"-20 UNF MODEL NO.	1/4" NPT MODEL NO.	COMPATIBLE METERS†
ABSOLUTE PRESSURE (All Ranges Available in Absolute Pressure)				
0 to 10 psi	0 to 0.69 bar	PX02K[*]-010AI	PX02C[*]-010AI	DP41-E, DP25B-E
0 to 15 psi	0 to 1.0 bar	PX02K[*]-015AI	PX02C[*]-015AI	DP41-E, DP25B-E
0 to 20 psi	0 to 1.4 bar	PX02K[*]-020AI	PX02C[*]-020AI	DP41-E, DP25B-E
0 to 25 psi	0 to 1.7 bar	PX02K[*]-025AI	PX02C[*]-025AI	DP41-E, DP25B-E
0 to 50 psi	0 to 3.4 bar	PX02K[*]-050AI	PX02C[*]-050AI	DP41-E, DP25B-E
GAGE PRESSURE (All Ranges Also Available in Sealed Gage Pressure)				
0 to 2 psi	0 to 0.14 bar	PX02K[*]-002GI	PX02C[*]-002GI	DP41-E, DP25B-E
0 to 5 psi	0 to 0.34 bar	PX02K[*]-005GI	PX02C[*]-005GI	DP41-E, DP25B-E
0 to 10 psi	0 to 0.69 bar	PX02K[*]-010GI	PX02C[*]-010GI	DP41-E, DP25B-E
0 to 15 psi	0 to 1.0 bar	PX02K[*]-015GI	PX02C[*]-015GI	DP41-E, DP25B-E
0 to 50 psi	0 to 3.4 bar	PX02K[*]-050GI	PX02C[*]-050GI	DP41-E, DP25B-E
0 to 75 psi	0 to 5.2 bar	PX02K[*]-075GI	PX02C[*]-075GI	DP41-E, DP25B-E
0 to 100 psi	0 to 6.9 bar	PX02K[*]-100GI	PX02C[*]-100GI	DP41-E, DP25B-E
0 to 200 psi	0 to 13.8 bar	PX02K[*]-200GI	PX02C[*]-200GI	DP41-E, DP25B-E
0 to 300 psi	0 to 20.7 bar	PX02K[*]-300GI	PX02C[*]-300GI	DP41-E, DP25B-E
0 to 500 psi	0 to 34.5 bar	PX02K[*]-500GI	PX02C[*]-500GI	DP41-E, DP25B-E
0 to 1000 psi	0 to 68.9 bar	PX02K[*]-1KGI	PX02C[*]-1KGI	DP41-E, DP25B-E
0 to 1500 psi	0 to 103 bar	PX02K[*]-1.5KGI	PX02C[*]-1.5KGI	DP41-E, DP25B-E
0 to 2000 psi	0 to 138 bar	PX02K[*]-2KGI	PX02C[*]-2KGI	DP41-E, DP25B-E
0 to 3500 psi	0 to 241 bar	PX02K[*]-3.5KGI	PX02C[*]-3.5KGI	DP41-E, DP25B-E
0 to 5000 psi	0 to 345 bar	PX02K[*]-5KGI	PX02C[*]-5KGI	DP41-E, DP25B-E
0 to 7500 psi	0 to 517 bar	PX02K[*]-7.5KGI	PX02C[*]-7.5KGI	DP41-E, DP25B-E
0 to 10,000 psi**	0 to 689 bar	PX02S[*]-10KGI	PX02S[*]-10KGI	DP41-E, DP25B-E*
0 to 20,000 psi**	0 to 1379 bar	PX02S[*]-20KGI	PX02S[*]-20KGI	DP41-E, DP25B-E*
0 to 30,000 psi**	0 to 2068 bar	PX02S[*]-30KGI	PX02S[*]-30KGI	DP41-E, DP25B-E*

[*] = Insert "0" for 3 m (10') cable, "1" for twist-lock connector, or "6" for mini DIN connector.

Ordering Examples: PX02K1-1KGI, 1000 psi gage transducer with 4 to 20 mA output, twist lock connector and 1/16"-20 female pressure connection. PT06F10-6S, mating connector (sold separately), PX02C0-010GI, 10 psi gage transducer with 4 to 20 mA output, 3 m (10') cable and 1/4" NPT male pressure connection.

ACCESSORY

MODEL NO.	DESCRIPTION
PT06F10-6S	Mating connector for PX02/PXM02 transducers with PTIH-10-6P electrical connection

Comes complete with 5-point calibration.
* 4-digit meter, counts in increments of 10.
** 1/4 HP tube fitting.

† See omega.com for compatible meters.

[*] = Insert "0" for 3 m (10') cable, "1" for twist-lock connector, or "6" for mini DIN connector.

To order absolute pressure models, replace "G" in model number with "A" and add **cost**. To order sealed gage models, replace "G" in model number with "S" (no extra charge).

Ordering Examples: PXM02MD6-4BARGI, 4 bar gage transmitter with 4 to 20 mA output, mini-DIN connector and G 1/4 female pressure connection. Mating connector included. PXM02MC0-010BARAI, 10 bar absolute transmitter with 4 to 20 mA output, 3 m (10') cable with 1/2" NPT conduit fitting and and G 1/4 male pressure connection.

METRIC MODELS

Models with G 1/4 Female Pressure Connection, Cable or Connector and 4 to 20 mA Output

RANGE		MODEL NO.	COMPATIBLE METERS†
GAGE PRESSURE			
0 to 0.16 bar	0 to 2.32 psi	PXM02MD[*]-160mBARGI	DP41-E, DP25B-E
0 to 0.4 bar	0 to 5.8 psi	PXM02MD[*]-400mBARGI	DP41-E, DP25B-E
0 to 1 bar	0 to 15 psi	PXM02MD[*]-001BARGI	DP41-E, DP25B-E
0 to 1.60 bar	0 to 23 psi	PXM02MD[*]-1.60BARGI	DP41-E, DP25B-E
0 to 2.50 bar	0 to 36 psi	PXM02MD[*]-2.50BARGI	DP41-E, DP25B-E
0 to 4 bar	0 to 58 psi	PXM02MD[*]-004BARGI	DP41-E, DP25B-E
0 to 6 bar	0 to 87 psi	PXM02MD[*]-006BARGI	DP41-E, DP25B-E
0 to 10 bar	0 to 145 psi	PXM02MD[*]-010BARGI	DP41-E, DP25B-E
0 to 16 bar	0 to 232 psi	PXM02MD[*]-016BARGI	DP41-E, DP25B-E
0 to 25 bar	0 to 363 psi	PXM02MD[*]-025BARGI	DP41-E, DP25B-E
0 to 40 bar	0 to 580 psi	PXM02MD[*]-040BARGI	DP41-E, DP25B-E
0 to 60 bar	0 to 870 psi	PXM02MD[*]-060BARGI	DP41-E, DP25B-E
0 to 100 bar	0 to 1450 psi	PXM02MD[*]-100BARGI	DP41-E, DP25B-E
0 to 160 bar	0 to 2321 psi	PXM02MD[*]-160BARGI	DP41-E, DP25B-E
0 to 250 bar	0 to 3626 psi	PXM02MD[*]-250BARGI	DP41-E, DP25B-E
0 to 400 bar	0 to 5802 psi	PXM02MD[*]-400BARGI	DP41-E, DP25B-E