

NON-CONTACT SPEED SWITCHES



Shown Larger Than Actual Size

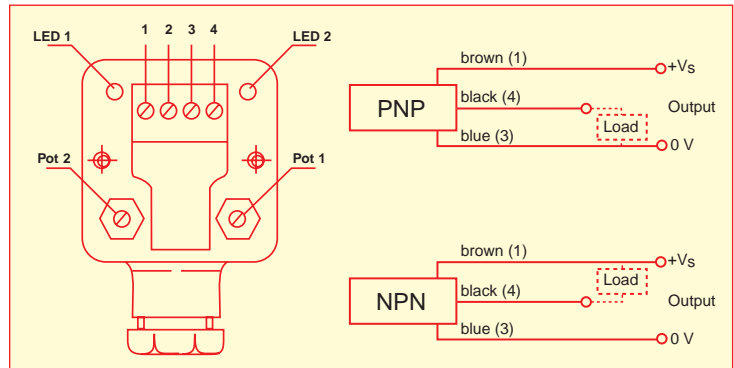
SSW201
\$305
 Model Shown



SSW201 Series

- ✓ For All Metal Targets
- ✓ Ideal for Motion Control of Rotating Machinery
- ✓ Rugged Construction for Dirty, Humid, Oily or Dusty Applications

The SSW switch combines the function of a proximity switch with a timing network. This combination allows for adjustable initial power-up delay and an adjustable low speed setpoint. This initial power-up delay permits the target to accelerate to its normal operating speed. After the initial delay, the output remains energized, provided the object's speed is above the low setpoint. If the object loses speed, the circuit returns to its non-conductive state.



SPECIFICATIONS

Excitation: 10-50 Vdc @10 mA

Voltage Drop: <2 Vdc

Switch: Open collector, 3-wire, normally open, reverse polarity and short circuit protected

Sensing Distance: 8 mm (0.3")

Max Switching Current: 250 mA

Power-Up Delay: 3-20 sec adj.

Low Setpoint:

Slow, 0.1-2.5 Hz (6-150 per min.);
 Fast, 2-50 Hz (120-3,000 per min.)

Operating Temperature:

-25 to 75°C (-13 to 168°F)

Target: Any metal

Case Material:

30 mm nickel plated brass rolled threads

Thread: M30 x 1.5 x 60 mm (2.3" length)

Electrical Connection:

3 screw terminals 0.20-0.27" dia wire

Weight: 255 g (9 oz)

MOST POPULAR MODELS HIGHLIGHTED

To Order (Specify Model Number)

MODEL NO.	PRICE	DESCRIPTION
SSW201-SN	\$305	Speed switch, NPN, adj. 6-150 per min.
SSW201-SP	305	Speed switch, PNP, adj. 6-150 per min.
SSW201-FP	305	Speed switch, PNP, adj. 120-3000 per min.

ACCESSORIES

MODEL NO.	PRICE	DESCRIPTION
MBL-8/12	\$10	L-shaped mounting bracket
DPF701	260	Compatible batch total meter
DPC10-TL*	98	Compatible total meter
U24Y101	128	24 Vdc power supply
TX4-100	28.50	30 m (100 ft) spool multi-conductor wire

* Requires external dc power supply such as PSS-D12A, (\$114)

Comes with complete operator's manual.

Ordering Example: SSW201-SN, non-contact speed switch with NPN output with 6-150 per min. capacity, + MBL-8/12, mounting bracket + TX4-100, wire, \$305 + 10 + 28.50 = \$343.50



UNITED STATES

www.omega.com
1-800-TC-OMEGA
Stamford, CT.

CANADA

www.omega.ca
Laval(Quebec)
1-800-TC-OMEGA

GERMANY

www.omega.de
Deckenpfronn, Germany
0800-8266342

UNITED KINGDOM

www.omega.co.uk
Manchester, England
0800-488-488

FRANCE

www.omega.fr
Guyancourt, France
088-466-342

CZECH REPUBLIC

www.omegaeng.cz
Karviná, Czech Republic
596-311-899

BENELUX

www.omega.nl
Amstelveen, NL
0800-099-33-44



More than 100,000 Products Available!

• Temperature

Calibrators, Connectors, General Test and Measurement Instruments, Glass Bulb Thermometers, Handheld Instruments for Temperature Measurement, Ice Point References, Indicating Labels, Crayons, Cements and Lacquers, Infrared Temperature Measurement Instruments, Recorders Relative Humidity Measurement Instruments, RTD Probes, Elements and Assemblies, Temperature & Process Meters, Timers and Counters, Temperature and Process Controllers and Power Switching Devices, Thermistor Elements, Probes and Assemblies, Thermocouples Thermowells and Head and Well Assemblies, Transmitters, Wire

• Flow and Level

Air Velocity Indicators, Doppler Flowmeters, Level Measurement, Magnetic Flowmeters, Mass Flowmeters, Pitot Tubes, Pumps, Rotameters, Turbine and Paddle Wheel Flowmeters, Ultrasonic Flowmeters, Valves, Variable Area Flowmeters, Vortex Shedding Flowmeters

• pH and Conductivity

Conductivity Instrumentation, Dissolved Oxygen Instrumentation, Environmental Instrumentation, pH Electrodes and Instruments, Water and Soil Analysis Instrumentation

• Data Acquisition

Auto-Dialers and Alarm Monitoring Systems, Communication Products and Converters, Data Acquisition and Analysis Software, Data Loggers Plug-in Cards, Signal Conditioners, USB, RS232, RS485 and Parallel Port Data Acquisition Systems, Wireless Transmitters and Receivers

• Pressure, Strain and Force

Displacement Transducers, Dynamic Measurement Force Sensors, Instrumentation for Pressure and Strain Measurements, Load Cells, Pressure Gauges, Pressure Reference Section, Pressure Switches, Pressure Transducers, Proximity Transducers, Regulators, Strain Gages, Torque Transducers, Valves

• Heaters

Band Heaters, Cartridge Heaters, Circulation Heaters, Comfort Heaters, Controllers, Meters and Switching Devices, Flexible Heaters, General Test and Measurement Instruments, Heater Hook-up Wire, Heating Cable Systems, Immersion Heaters, Process Air and Duct, Heaters, Radiant Heaters, Strip Heaters, Tubular Heaters