

2-WAY GENERAL PURPOSE SOLENOID VALVES

DIRECT ACTING, NORMALLY OPEN, STAINLESS STEEL VALVE BODY

SV130 Series All Models



- ✓ Stainless Steel Valve Body Resists Corrosion
- ✓ Rugged NEMA 4 (IP65) Housing
- ✓ Mounts in Any Position
- ✓ Rated for Continuous Duty

TYPICAL APPLICATIONS

- ✓ Automation
- ✓ Humidifiers
- ✓ Water Treatment
- ✓ Dispensing
- ✓ Laundry, Dry Cleaning Equipment
- ✓ Machine Tools
- ✓ Vending Machines

The SV130 Series direct-acting solenoid valves consist of a coil, plunger, and sleeve assembly. In a normally open valve, a plunger return spring holds the plunger away from the orifice, allowing flow

through the valve. When current flows through the coil, a magnetic field is produced and it turns the stop into an electromagnet that attracts the magnetic plunger.

This action compresses the return spring and brings the plunger against the orifice to prevent flow through the valve.

SPECIFICATIONS

Wetted Parts: Stainless steel, copper and seal

Medium: Liquid or gases

Max Static Pressure: 1.5 times max psid, vacuum (>5 microns ABS)

Ambient Temp: -9 to 50°C (15 to 122°F)

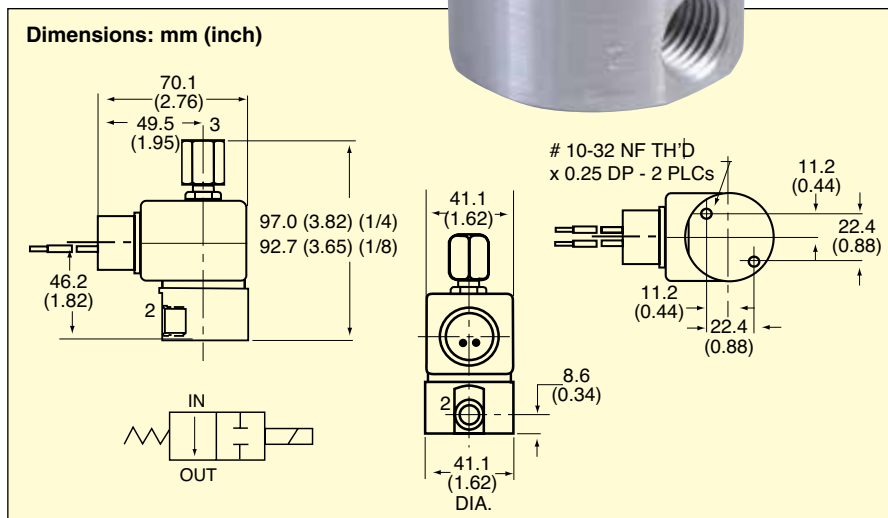
Mounting: Pipe mounting, any direction

Power: 10 W, 120 Vac coils, 50 to 60 Hz

Weight: 500 g (1.1 lb)



SV133, shown smaller than actual size.



VALVES AND REGULATORS

To Order

MODEL NO.	NPT FITTING	ORIFICE	C _v	SEAL	DIFF PRES (psid)		TEMP		RESPONSE TIME	
					MIN	MAX	°C	°F	OPEN	CLOSE
SV131	1/4	3/64"	0.05	FKM	0	400	116	240	4 to 15 ms	4 to 15 ms
SV132	1/4	1/16"	0.11	FKM	0	325	116	240	4 to 15 ms	4 to 15 ms
SV133	1/4	3/32"	0.15	FKM	0	250	116	240	4 to 15 ms	4 to 15 ms

ACCESSORIES

MODEL NO.	DESCRIPTION
SVCOIL-110AC	Replacement coil, 110 Vac
SVCOIL-220AC	Replacement coil, 220 Vac
SVCOIL-24DC	Replacement coil, 24 Vdc

Note: Some solenoid valves are available with 24 Vdc coils. 5 piece minimum order. UL approval is not available with 24 Vdc coils. Specifications effected; pressure ratings may decrease; coil wattage ratings may increase. Consult Engineering.
Ordering Example: SV131, 1/4 NPT direct-acting stainless steel normally open valve with a 3/64" orifice and FKM seal.