

3- AND 4-WAY SOLENOID VALVES

DIRECT-ACTING OR PILOT-OPERATED, NORMALLY OPEN OR CLOSED, BRASS VALVE BODY

- SV240 Series** 3-Way General Purpose
- SV250 Series** 3-Way Switchable NO/NC
- SV260 Series** 3-Way Quick Exhaust
- SV270 Series** 4-Way General Purpose



- ✓ General Purpose, Quick Exhaust, and Selectable NO/NC Models
- ✓ Rugged NEMA 4 (IP65) Housing
- ✓ Mounts in Any Position
- ✓ Rated for Continuous Duty

TYPICAL APPLICATIONS

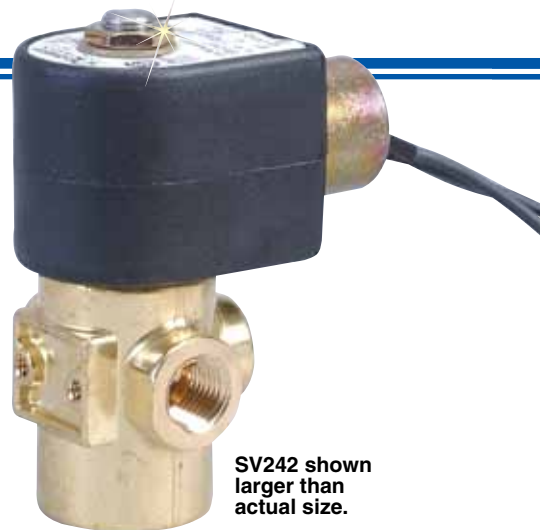
- ✓ Mobile Equipment
- ✓ Gas Sampling
- ✓ Compressors
- ✓ Ball Valve Actuators
- ✓ Cylinders
- ✓ Dispensing
- ✓ Laundry Equipment
- ✓ Machine Tool Equipment

The SV241, SV242, and SV261 Series valves are 3-way, direct-acting, and normally closed. The SV241 and SV242 can be used for liquids or gases, while the SV261 offers a quick-exhaust feature and is limited to air use. The most common application for these 3-way valves is the control of single-acting cylinders or spring-return actuators. The pressure inlet port is blocked in the de-energized position.

A 3-way normally closed valve has 3 ports labeled 1, 2, and 3. When de-energized, no flow occurs from port 1, but there is flow from port 2 to 3. When energized, flow occurs from port 1 to 2, but no flow occurs

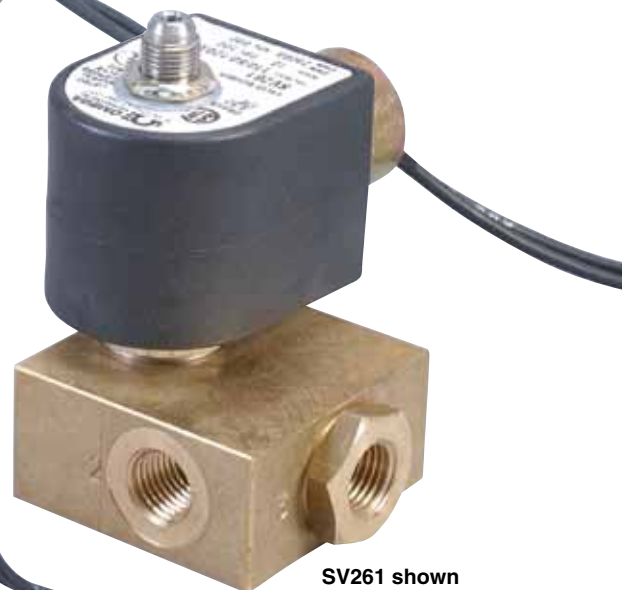
from port 3. Usually, 3-way valves are used to control larger pneumatically activated valves. Port 1 is connected to the pressure source, port 2 is connected to the cylinder controlling the pneumatic activation, and port 3 is the exhaust port vented to the room.

The SV251 is a multipurpose 3-way valve and can be used as normally open



SV242 shown larger than actual size.

SV251 shown larger than actual size.



SV261 shown larger than actual size.

SV271 shown larger than actual size.



or normally closed. During installation, for normally closed select port 1 as supply pressure. Port 2 is connected to the pneumatic cylinder, and port 3 is the exhaust port. To configure as normally open, select port 3 as supply pressure. Port 2 is connected to the pneumatic cylinder, and port 1 is the exhaust port. The SV251 can be used for liquids or gases.

The SV271 is a 4-way, 5-ported solenoid valve, rated for air applications only. It is a 2-position, pilot-operated valve typically used to control double-acting cylinders or pneumatic actuators. A 4-way valve has ports labeled 1, 2, 3, 4, and

DIRECT-ACTING OR PILOT-OPERATED, NORMALLY OPEN OR CLOSED, BRASS VALVE BODY, 3- OR 4-WAY SOLENOID VALVES

5. When de-energized, pressure is supplied to port 1, which is open to cylinder port 4 and closed to cylinder port 2. Port 4 is closed to exhaust port 3. When energized, pressure port 1 is closed to cylinder port 4 and open to cylinder port 2. Cylinder port 2 is closed to exhaust port 3. Cylinder port 4 is open to exhaust port 5.

SPECIFICATIONS

Operation:

SV241, SV242 and SV251:

Direct acting

SV261, SV271: Pilot operated

Wetted Parts: Brass, stainless steel, copper and seal

SV241: Also Delrin

SV271: Aluminum, Delrin, stainless steel, copper and seal

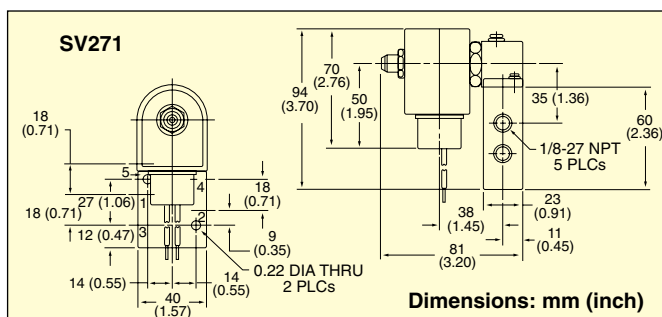
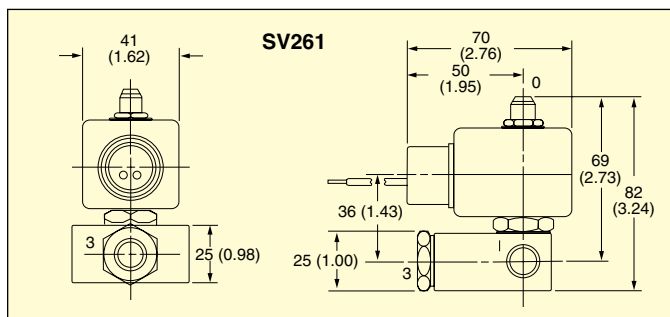
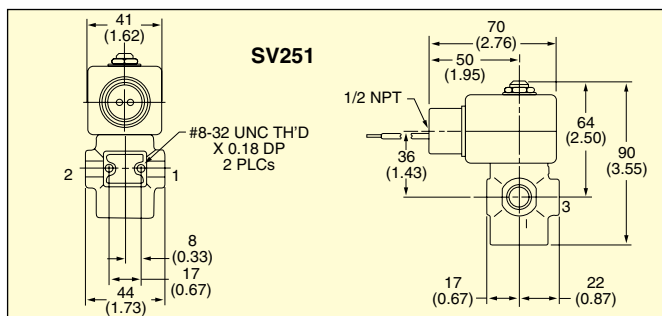
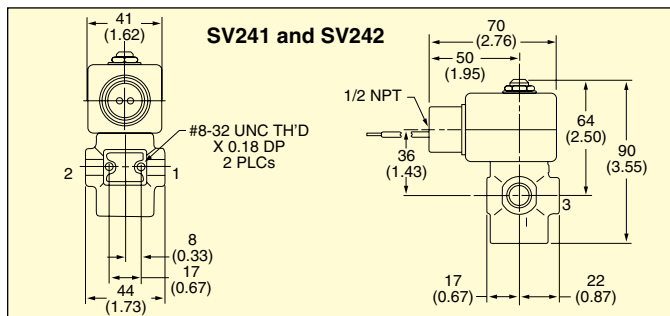
Medium: Liquid or gases as specified in "To Order" chart

Max Static Pressure: 5 times max psid

Ambient Temp: -9 to 50°C (15 to 122°F)

Mounting: Pipe mounting, any direction

Power: 10 W, 120 Vac coils, 50 to 60 Hz



To Order

MODEL NO.	NPT FITTING	ORIFICE	C _v	SEAL	DIFF PRES (psid)		TEMP °C (°F)	RESPONSE TIME	
					MIN	MAX		OPEN	CLOSE
3-Way General Purpose, Direct Acting, Normally Closed, Brass Body									
SV241	1/4	5/64, 1/8	0.17, 0.31	FKM	0	150	116 (240)	10 ms	10 ms
SV242	1/4	3/32, 9/64	0.24, 0.38	FKM	0	100	116 (240)	10 ms	10 ms
3-Way Selectable Service, Direct Acting, User-Selectable NO or NC, Brass Body									
SV251	1/4	5/64, 5/64	0.17, 0.17	FKM	0	100	116 (240)	10 ms	10 ms
3-Way Quick Exhaust, Pilot Operated, Normally Closed, Brass Body, Air Only									
SV261	1/4	3/32, 1/4	0.20, 1.1	Buna-N	2	100	85 (185)	15 ms	45 ms
4-Way General Purpose, Pilot Operated, Normally Closed, Aluminum Body, Air Only									
SV271	1/8	5/32	0.35	Buna-N	15	150	74 (165)	10 to 30 ms	10 to 30 ms

ACCESSORIES

MODEL NO.	DESCRIPTION
SVCOIL-110AC	Replacement coil, 110 Vac
SVCOIL-220AC	Replacement coil, 220 Vac
SVCOIL-24VDC	Replacement coil, 24 Vdc

Note: Some solenoid valves are available with 24 Vdc coils. Five piece minimum order. UL approval is not available with 24 Vdc coils. Specifications effected; pressure rating may decrease; coil wattage ratings may increase. Consult Engineering.

Ordering Examples: SV251, 3-way direct-acting valve, user-selectable NO/NC with brass body and 1/4 NPT fitting with FKM seal. SV271, 4-way general purpose, pilot operated, NC with aluminum body 1/8 NPT fitting and Buna-N seal.