

REACTION TORQUE CELLS

SHAFT KEY MOUNT

Reaction Torque
0-600 in-lb to 0-12,000 in-lb
0-68 N-m to 0-1350 N-m

1 N-m = 0.7375 ft-lb
 1 ft-lb = 1.356 N-m
 1 N-m = 8.85 in-lb
 1 ft-lb = 12 in-lb



TQ402-1.2K shown smaller than actual size.

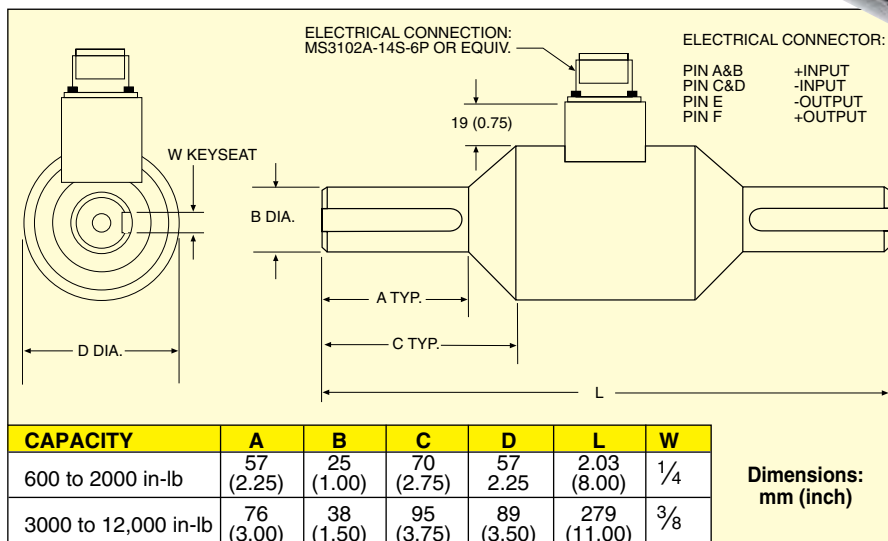
TQ402 Series



- ✓ All Stainless Steel Case for Long-Term Reliability in Industrial Environments
- ✓ High Accuracy
- ✓ Heavy-Duty Mounting for Positive, Non-Slip Connection

SPECIFICATIONS

Output: 2 mV/V
Excitation: 10 Vdc, 15V maximum
Input Resistance: 360 Ω minimum
Output Resistance: 350 ±5 Ω
Accuracy Class: ±0.2% FSO
Linearity: ±0.2% FSO
Hysteresis: ±0.1% FSO
Repeatability: ±0.05% FSO
Zero Balance: ±2% FSO
Operating Temp Range: -54 to 107°C (-65 to 225°F)
Compensated Temp Range: 16 to 71°C (60 to 160°F)
Thermal Effects:
 Zero: ±0.005% FSO/°F
 Span: ±0.005% rdg/°F
Safe Overload: 150% of capacity
Ultimate Overload: 300% of capacity
Protection Class: IP67
Electrical: MS3102A-14S-6P (or equiv.)
Mating Connector: MS3106E-14S-6S, (sold separately)



To Order

RANGE (in-lb)	MODEL NO.	COMPATIBLE METERS*
0 to 600	TQ402-600	DP41-S, DP25B-S
0 to 1200	TQ402-1.2K	DP41-S, DP25B-S
0 to 2000	TQ402-2K	DP41-S, DP25B-S
0 to 3000	TQ402-3K	DP41-S, DP25B-S
0 to 6000	TQ402-6K	DP41-S, DP25B-S
0 to 12,000	TQ402-12K	DP41-S, DP25B-S

Comes complete with 5-point calibration.

* Visit us online for compatible meters. Metric ranges available – consult Engineering.

Ordering Examples: TQ402-600, 600 in-lb range reaction torque sensor with MS3106E-14S-6S, mating connector.

TQ402-1.2K, 1200 in-lb range reaction torque sensor.

ACCESSORY

MODEL NO.	DESCRIPTION
MS3106E-14S-6S	Mating connector for TQ402 series torque cells

