

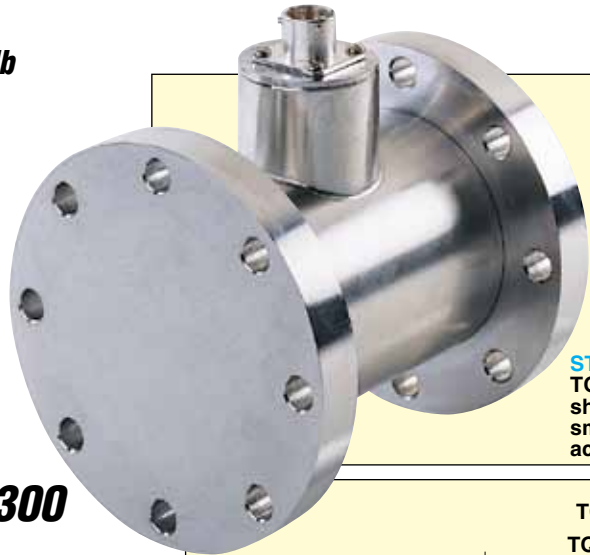
REACTION TORQUE CELLS

FLANGE-TO-FLANGE MOUNT

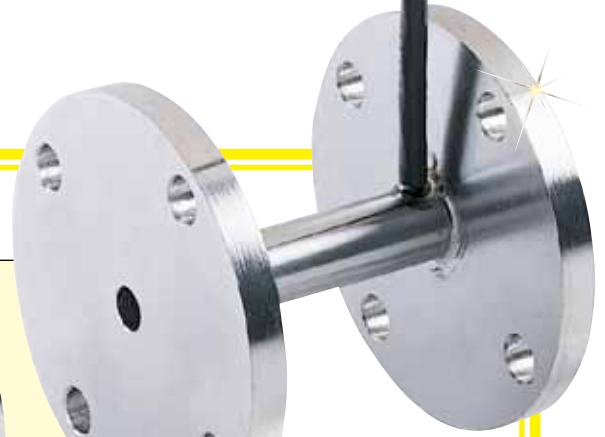
STANDARD AND METRIC MODELS

Reaction Torque
400 in-lb to 2000 in-lb
45 N-m to 225 N-m

1 N-m = 0.7375 ft-lb
 1 ft-lb = 1.356 N-m
 1 N-m = 8.85 in-lb
 1 ft-lb = 12 in-lb



STANDARD
TQ302-2K
 shown much smaller than actual size.



METRIC
TQM301-45N shown actual size.

TQ300/TQM300 Series



- ✓ All Stainless Steel Case for Long-Term Reliability in Industrial Environments
- ✓ High Accuracy
- ✓ Heavy-Duty Mounting for Positive, Non-Slip Connection

SPECIFICATIONS

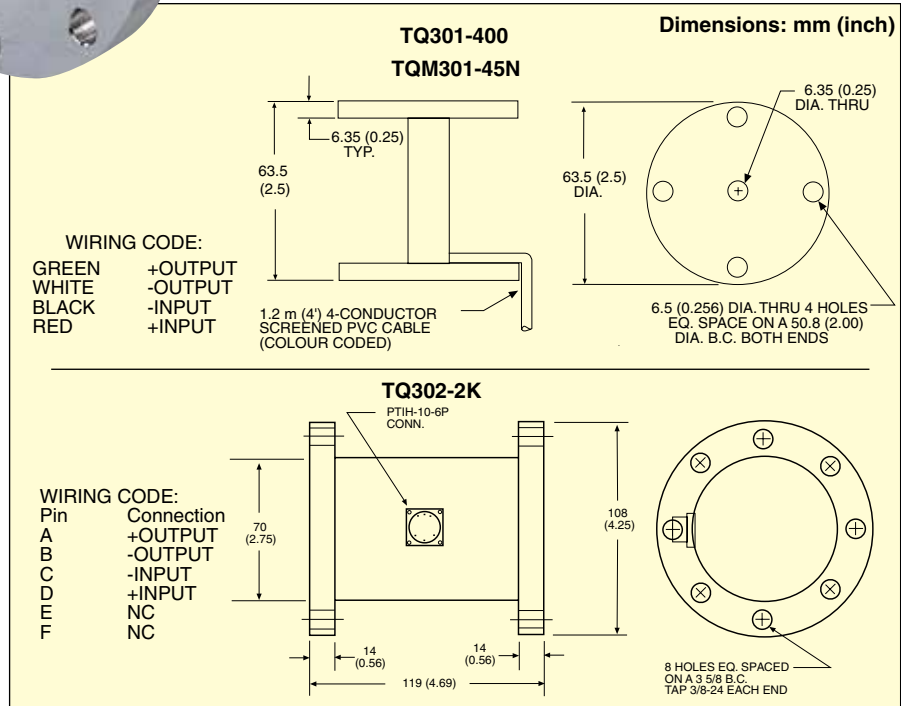
Output: 2 mV/V
Excitation: 10 Vdc, 15V maximum
Input Resistance: 360 Ω minimum
Output Resistance: 350 ± 5 Ω
Accuracy Class: ±0.2% FSO
Linearity, Hysteresis and Repeatability: ±0.2% FSO combined
Zero Balance: ±2% FSO
Compensated Temp Range: 16 to 71°C (60 to 160°F)
Operating Temp Range: -54 to 107°C (-65 to 225°F)
Thermal Effects:
 Zero: ±0.005% FSO/°F
 Span: ±0.005% rdg/°F

Safe Overload: 150% of capacity
Ultimate Overload: 300% of capacity

Construction: Stainless steel

Electrical:

TQ301: 1.2 m (4') 4-conductor, shielded, color-coded PVC cable
TQ302: PTIH-10-6P connection; PT06F10-6S mating connector sold separately



To Order

RANGE	MODEL NO.	COMPATIBLE METERS*
STANDARD MODELS		
0 to 400 in-lb	TQ301-400	DP41-S, DP25B-S
0 to 2000 in-lb	TQ302-2K	DP41-S, DP25B-S
METRIC MODEL		
0 to 45 N-m	TQM301-45N	DP41-S, DP25B-S

ACCESSORY

MODEL NO.	DESCRIPTION
PT06F10-6S	Mating connector for TQ302-2K torque cell

Comes complete with 5-point calibration.

* Visit us online for compatible meters.

Ordering Example: TQ301-400, 400 in-lb range reaction torque sensor.