

# TANK AND BIN WEIGHING SYSTEMS

## CAPACITIES TO 2500 POUNDS

See page F-55 for full details on LCDA Series load cells.



See page F-61 for full details on LCJA Series load cells.



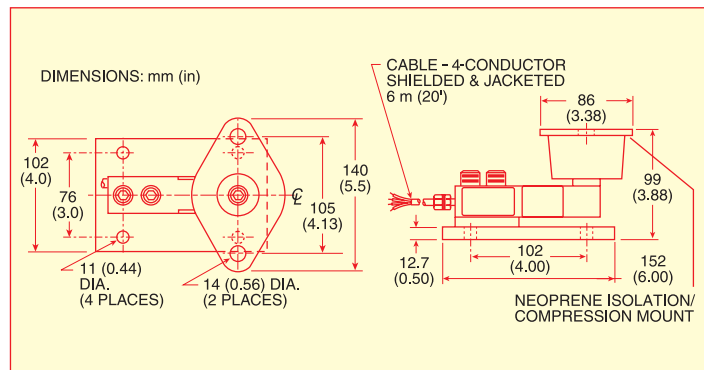
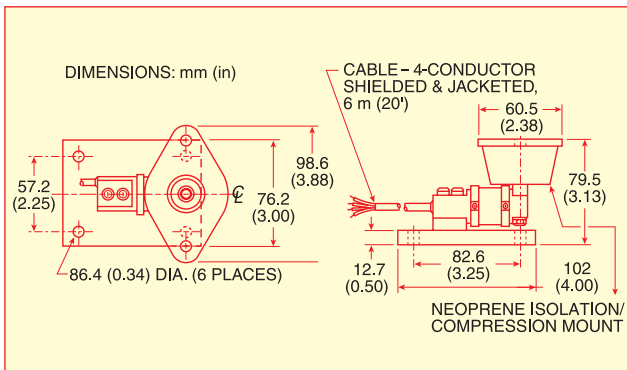
Complete System From  
**\$475**

### TWA3 Assembly with LCDA Load Cell

- ✓ 50 to 250 lb Capacity
- ✓ 150% Compression Overload
- ✓ 50% Side Force Protection
- ✓ Complete Environmental Protection

### TWA4 Assembly with LCJA Load Cell

- ✓ 500 to 2500 lb Capacity
- ✓ Provides Shock Absorption for Industrial Applications
- ✓ Ideal for Multicell Installations



**MOST POPULAR MODELS HIGHLIGHTED!**

### To Order (Specify TWA Assembly and Load Cell Model Numbers)

CAPACITY kg (lb)	TWA ASSEMBLY			LOAD CELL		
	MODEL NO.	PRICE	WEIGHT kg (lb)	MODEL NO.	PRICE	WEIGHT kg (lb)
22.6 (50)	TWA3-050	\$170	2.3 (5)	LCDA-50	\$305	0.5 (1)
34.0 (75)	TWA3-075	170	2.3 (5)	LCDA-75	305	0.5 (1)
45.3 (100)	TWA3-100	170	2.3 (5)	LCDA-100	305	0.5 (1)
68.0 (150)	TWA3-150	170	2.3 (5)	LCDA-150	305	0.5 (1)
113.3 (250)	TWA3-250	170	2.3 (5)	LCDA-250	305	0.5 (1)
226.7 (500)	TWA4-500	280	2.7 (6)	LCJA-500	355	1.8 (4)
453.5 (1000)	TWA4-1K	280	2.7 (6)	LCJA-1K	355	1.8 (4)
907.1 (2000)	TWA4-2K	280	2.7 (6)	LCJA-2K	355	1.8 (4)
1133.9 (2500)	TWA4-2.5K	280	2.7 (6)	LCJA-2.5K	355	1.8 (4)

**Ordering Example:** To order a system with a maximum capacity of 113.3 kg (250 lb) specify: **TWA3-250**, TWA assembly and **LCDA-250**, load cell, \$170 + 305 = \$475.



#### UNITED STATES

[www.omega.com](http://www.omega.com)  
1-800-TC-OMEGA  
Stamford, CT.

#### CANADA

[www.omega.ca](http://www.omega.ca)  
Laval(Quebec)  
1-800-TC-OMEGA

#### GERMANY

[www.omega.de](http://www.omega.de)  
Deckenpfronn, Germany  
0800-8266342

#### UNITED KINGDOM

[www.omega.co.uk](http://www.omega.co.uk)  
Manchester, England  
0800-488-488

#### FRANCE

[www.omega.fr](http://www.omega.fr)  
Guyancourt, France  
088-466-342

#### CZECH REPUBLIC

[www.omegaeng.cz](http://www.omegaeng.cz)  
Karviná, Czech Republic  
596-311-899

#### BENELUX

[www.omega.nl](http://www.omega.nl)  
Amstelveen, NL  
0800-099-33-44



## More than 100,000 Products Available!

### • Temperature

Calibrators, Connectors, General Test and Measurement Instruments, Glass Bulb Thermometers, Handheld Instruments for Temperature Measurement, Ice Point References, Indicating Labels, Crayons, Cements and Lacquers, Infrared Temperature Measurement Instruments, Recorders Relative Humidity Measurement Instruments, RTD Probes, Elements and Assemblies, Temperature & Process Meters, Timers and Counters, Temperature and Process Controllers and Power Switching Devices, Thermistor Elements, Probes and Assemblies, Thermocouples Thermowells and Head and Well Assemblies, Transmitters, Wire

### • Flow and Level

Air Velocity Indicators, Doppler Flowmeters, Level Measurement, Magnetic Flowmeters, Mass Flowmeters, Pitot Tubes, Pumps, Rotameters, Turbine and Paddle Wheel Flowmeters, Ultrasonic Flowmeters, Valves, Variable Area Flowmeters, Vortex Shedding Flowmeters

### • pH and Conductivity

Conductivity Instrumentation, Dissolved Oxygen Instrumentation, Environmental Instrumentation, pH Electrodes and Instruments, Water and Soil Analysis Instrumentation

### • Data Acquisition

Auto-Dialers and Alarm Monitoring Systems, Communication Products and Converters, Data Acquisition and Analysis Software, Data Loggers Plug-in Cards, Signal Conditioners, USB, RS232, RS485 and Parallel Port Data Acquisition Systems, Wireless Transmitters and Receivers

### • Pressure, Strain and Force

Displacement Transducers, Dynamic Measurement Force Sensors, Instrumentation for Pressure and Strain Measurements, Load Cells, Pressure Gauges, Pressure Reference Section, Pressure Switches, Pressure Transducers, Proximity Transducers, Regulators, Strain Gages, Torque Transducers, Valves

### • Heaters

Band Heaters, Cartridge Heaters, Circulation Heaters, Comfort Heaters, Controllers, Meters and Switching Devices, Flexible Heaters, General Test and Measurement Instruments, Heater Hook-up Wire, Heating Cable Systems, Immersion Heaters, Process Air and Duct, Heaters, Radiant Heaters, Strip Heaters, Tubular Heaters