

HAZARDOUS AREA HEATER 50 W, 100 W

**CREX020
Series**



- Large Convection Surface
- DIN Rail Mountable
- Ready for Use
- Maintenance Free

Compact convection heater for use in areas with explosion hazard for prevention of formation of condensation, temperature fluctuations and for protection against frost in transmitter housings, switch cabinets and measuring equipment.

SPECIFICATIONS

Explosion Protection According to EN: LCIE (Laboratoire Central des Industries Electriques)

Conformity Certificate: 01 ATEX 6073/03, LCIE N° 06 ATEX Q8011, IECEx LCI 07.0021

Heating Element: High performance cartridge

Heater Body: Aluminium profile, black anodised

Connection: Si HF-JZ 3 x 0.75 mm² (0.03 in²) cable, length 1 m (3.3')

Connection PE: 4 mm² (0.16 in²)

Mounting Clip: 35 mm (1.4") DIN rail, EN 50022

Fitting Position: Vertical

Operating/Storage Temperature:

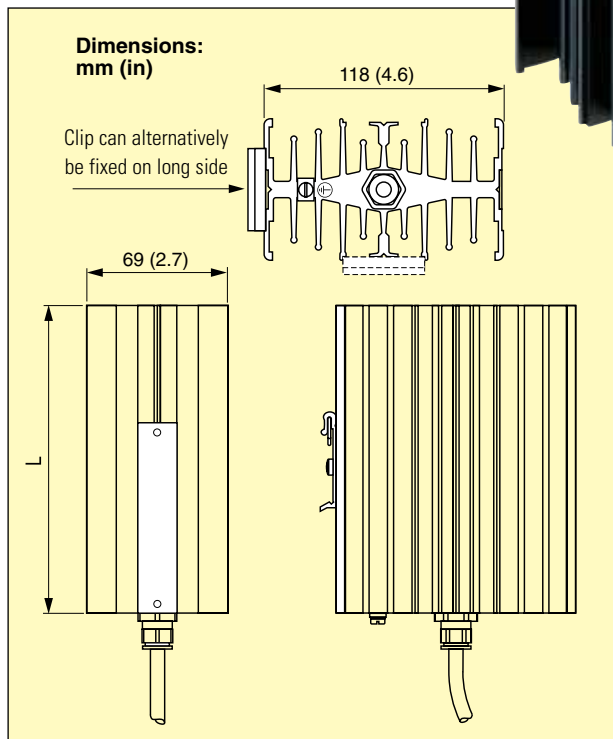
-45 to 70°C (-49 to 158°F)

Protection Type/Protection Class:

NEMA 4 (IP65)/I (grounded)



CREX0201, shown smaller than actual size.



MODEL NO.	CREX0201	CREX02011
Operating Voltage	110 to 120 Vac	110 to 120 Vac
Heating Capacity	50 W	100 W
Ex Protection Type	d IIC T5 - Ex tD A21 IP6X T100°C	d IIC T4 - Ex tD A21 IP6X T135°C
Surface Temperature	100°C (212°F)	135°C (275°F)
Length (L)	150 mm (6")	180 mm (7.1")
Weight (Approx.)	1.30 kg (46 oz)	1.50 kg (53 oz)

To Order

MODEL NO.	DESCRIPTION
CREX0201	Enclosure heater, explosion-proof, 50 W, 120 Vac
CREX02011	Enclosure heater, explosion-proof, 100 W, 120 Vac

Comes complete with operator's manual.

Ordering Example: CREX0201, hazardous area heater.