

1/8 DIN Thermocouple Meter



OMEGA Panel Punches Available

DP24-T

Product Discontinued

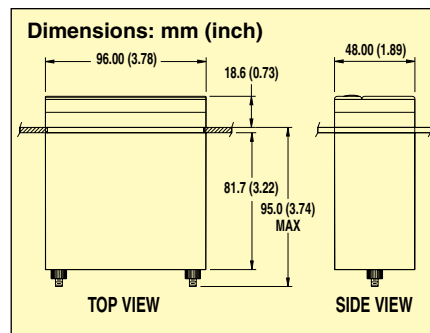


- ✓ Easy to Use
- ✓ Single-Button °C/°F Selection
- ✓ Min or Max Recall
- ✓ Display Hold and Blanking
- ✓ RoHS 2 Compliant

Optional green display (no additional charge), removable buttonless bezel.



DP24-T shown smaller than actual size.



Mechanical Specifications

Dimensions: 96 W x 48 H x 104 mm D (3.78 x 1.89 x 4.10")

Panel Cutout: 92 W x 45 mm H (3.62 x 1.77"), 1/8 DIN

Depth Behind Panel: 100 mm (3.94")
Weight: 312 g (11 oz)

The DP24-T is an accurate, reliable, economical digital panel meter for use with thermocouples J, K, T, E, R, S, N, or J DIN. Simple front-panel programming allows selection of max or min (peak or valley) temperatures. The DP24-T has plug-in screw terminal connections for thermocouple input and power as well as external display hold switches. Its compact depth of only 104 mm (4.10") allows for panel mounting in tight areas. After scaling, the front keypad can be locked out to avoid unauthorized changes and an optional bezel without "buttonholes" can be snapped into place.

Input Type	Range		Accuracy
J	-210 to 760°C	-346 to 1400°F	0.5°C (0.9°F)
K	-270 to 1372°C	-454 to 2500°F	
T	-270 to 400°C	-454 to 752°F	
E	-270 to 1000°C	-454 to 1832°F	
N	-270 to 1300°C	-454 to 2372°F	
R/S*	-50 to 1768°C	-58 to 3214°F	0.8°C (1.4°F)
J DIN	-200 to 900°C	-328 to 1652°F	

* Type R/S: 1° resolution only.

Specifications

Accuracy: ±0.5°C (0.9°F) @ 25°C (77°F)

Resolution: 1.0 or 0.1° (-100 to 1000)

Thermocouple Inputs: J, K, T, E, R, S, N, J DIN

Operating Temp: 0 to 50°C (32 to 122°F)

Storage Temp: -40 to 85°C (-40 to 185°F)

Display: Red or green LED, 4-digit, 14.2 mm (0.56") high

Relative Humidity: 95% @ 40°C (104°F), non-condensing

Connections: Plug-in screw terminals

Power Requirements

Voltage: 115 Vac ±15% standard (230 Vac or 10 to 32 Vdc isolated optional)

Frequency: 50 or 60 Hz

Power Consumption: 2 W max

To Order

Model No.	Description
DP24-T	Meter with 115 Vac power

Power and Display Options

Suffix	Description
-GN	Green LED display
-230	230 Vac power
-DC	10 to 32 Vdc isolated power

Accessories

Model No.	Description
SPC4	1/8 DIN NEMA 4 (IP65) splashproof lens with screw clamp
SPC18	1/8 DIN NEMA 4 (IP65) splashproof lens with spring clip
BBZL-T	Removable buttonless bezel

Comes complete with operator's manual.

Ordering Example: DP24-T-GN-DC, process monitor with green LED display, 10 to 32 Vdc power.