

SMALL COMPACT THERMOSTAT



Normally Open



Normally Closed

KTO-KTS-Series

Features

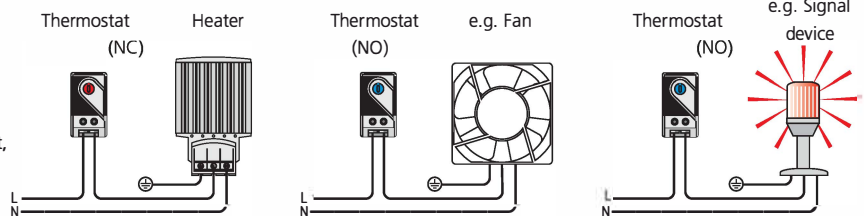
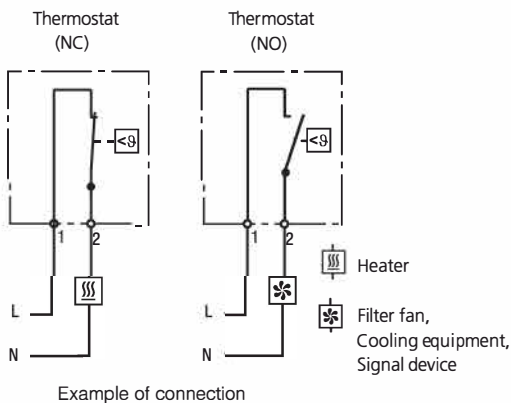
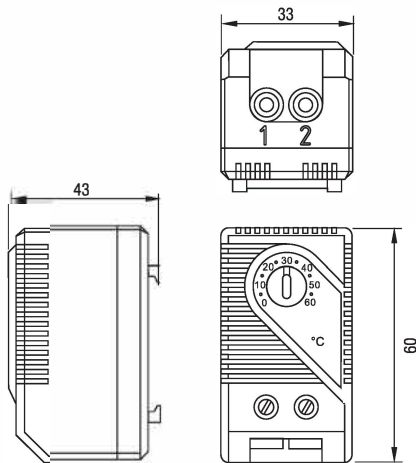
- Large setting range
- Small size
- Simple to mount
- High switching performance

KT0114 09-A / KT011469A: Thermostat (normally closed), contact breaker for regulating heaters.

KT0114 19-A / KT011479-A: Thermostat (normally open), contact maker for regulating of filter fans and heat exchangers or for switching signal device when temperature limit has been exceeded.

Technical Data

Switch temperature difference	7K (± 4K tolerance)
Sensor element	thermostatic bimetal
Contact type	snap-action contact
Contact resistance	< 10m Ω
Service life	> 100,000 cycles
Max. Switching capacity	250VAC, 10 (2) A
	120VAC, 15 (2) A
	DC 30W
EMC	acc. to EN 55014-1-2, EN 61000-3-2, EN 61000-3-3
Connection	2-pole terminal, clamping torque 0.5Nm max.: rigid wire 2.5mm ² stranded wire (with wire end ferrule) 1.5mm ²
Mounting	35mm DIN clip for 35mm DIN rail, EN60715 or for exit filter EF 118 Series
Casing	UL94 V-0, plastic according to UL94 V-0, light grey
Dimensions	60 x 33 x 43mm
Weight	approx. 40g
Fitting position	variable
Operating/Storage temperature	-20 to +80°C (-4 to +176°F) / -45 to +80°C (-49 to +176°F)
Protection type	IP20



Setting range	Art. No. Contact Breaker (NC)	Art. No. Contact Breaker (NO)	Approvals
0 to +60°C	KT011469-A	KT011479-A	CE
+32 to +140°F	KT011409-A	KT011419-A	CE