

Spring Loaded Thermocouple Sensors with M12 Connectors

For Use in Thermowells



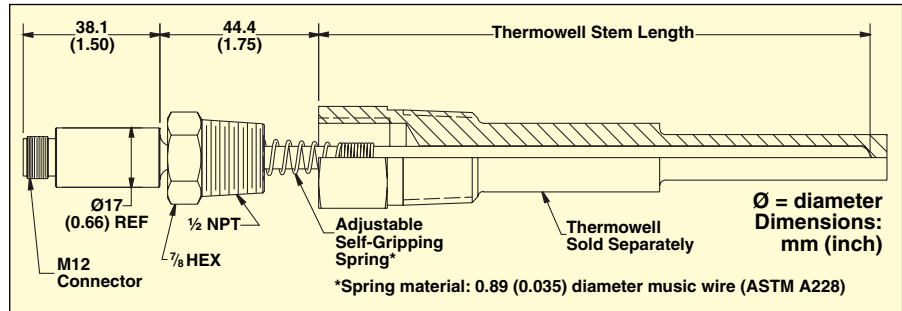
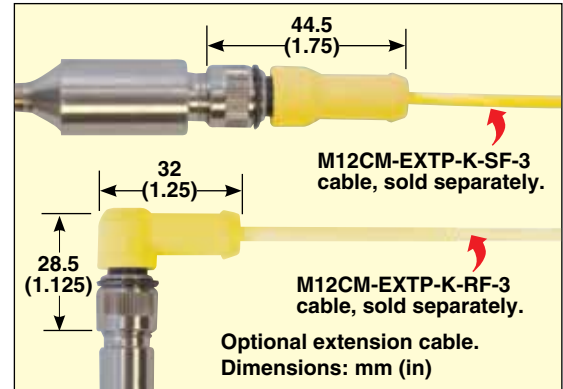
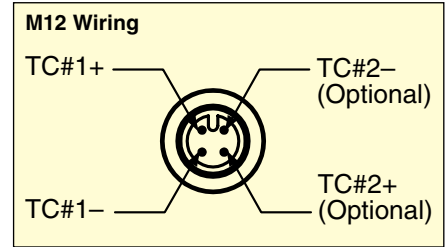
M12-TC-SL Series



- ✓ Type J, K, T and E Thermocouples with 304 Stainless Steel Sheath
- ✓ M12 A-Coded Pin Style Connectors with Compensated Pins for Easy Wiring when Combined with OMEGA's M12 Thermocouple Extension Cables
- ✓ Fits All Standard 0.260" Bore Thermowells (Sold Separately)
- ✓ Probe Length = Thermowell Stem Length
- ✓ Adjustable Self-Gripping Spring Allows for Use in Shorter Length Thermowells
- ✓ Large Selection of Optional Thermowells and Extension Cables Available



M12JSS-U-0600-SL shown smaller than actual size.



To Order			
Model No.	Thermocouple	Sensor Temperature Range†	Thermowell Stem Length
M12(*)-U-0250-SL	(*) Insert "JSS", "KSS", "TSS" or "ESS" for thermocouple type with 304 SS sheath	JSS = -210 to 721°C KSS = -270 to 899°C TSS = -270 to 371°C ESS = -270 to 899°C M12 connector has an 85°C (185°F) max temperature	2.50"
M12(*)-U-0400-SL			4"
M12(*)-U-0600-SL			6"
M12(*)-U-0900-SL			9"
M12(*)-U-1200-SL			12"
M12(*)-U-1500-SL			15"
M12(*)-U-1800-SL			18"
M12(*)-U-2400-SL			24"

† Temperature range of sensor only, thermowell selection will impact final temperature range of assembly.
Notes: For dual element sensors, add "-DUAL" to the end of the model number and multiply price by 1.75.
 For probe lengths above 24" change length in model number to required length in inches (25.50" = 2550) for an additional cost to the 24" price.
Ordering Examples: M12KIN-U-0600-SL, Type K thermocouple and M12 connection, length to spring load into a thermowell with a 6" stem length.
 M12JSS-U-1200-SL, Type J thermocouple with 304 stainless steel sheath and M12 connection, length to spring load into a thermowell with a 12" stem length.