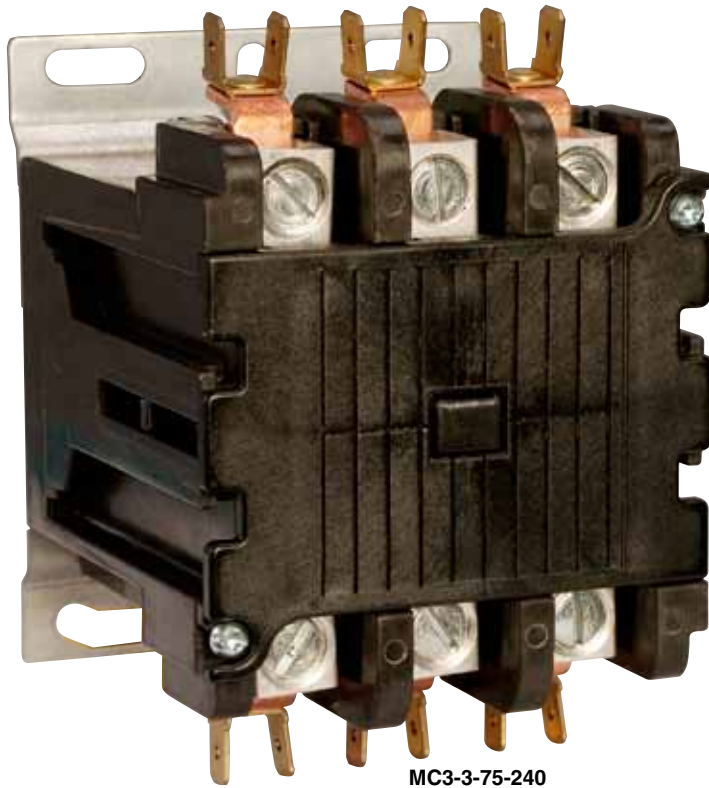
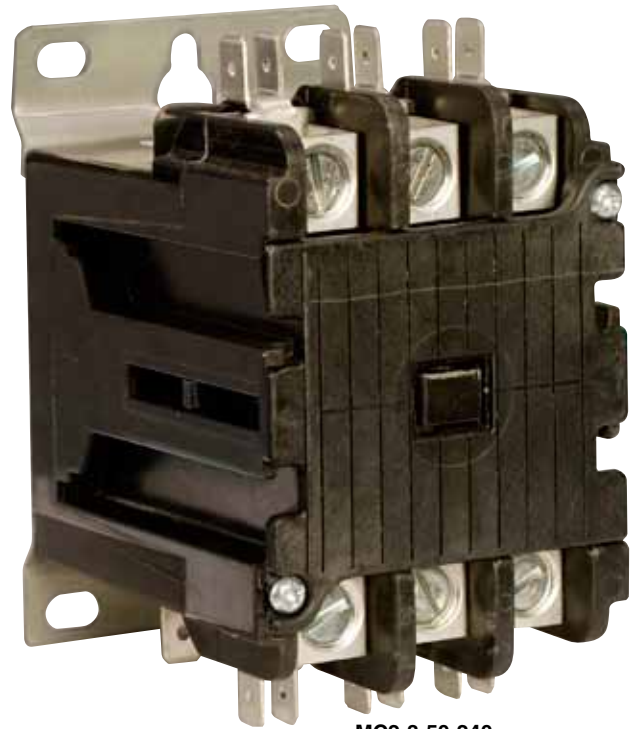


# Magnetic Contactors

## Special Purpose Contactors for High-Power Temperature Control



MC3-3-75-240



MC2-3-50-240

Shown slightly smaller than actual size.

### MC Series



Control Resistance Heaters up to 75 A Using OMEGA® Temperature Controllers and Magnetic Contactors

- ✓ Long Life—Over 500,000 Operations
- ✓ 30 to 75 A
- ✓ Heavy-Duty Construction
- ✓ Easy Mounting
- ✓ 600 Vac Contacts

### Specifications

**Mounting Holes:** Keyhole slots and regular holes are embossed to facilitate mounting on uneven wall surfaces

**Knockouts:** NEMA 1 (IP10) enclosures have ample knockouts for wiring

**General:** Enclosures are drawn steel with a baked gray acrylic lifetime finish

**Note:** the enclosures are not water or dust tight. They are intended for indoor use only. Fits MC2 style contactors.

### Applications Rating Guide

Model Number	MC2-2-40-120 MC2-2-40-240	MC2-3-40-240	MC2-3-50-240	MC3-3-75-240
Non-Inductive Amps	40	40	50	75
Full Load Amps	30	30	40	60
Locked Rotor Amps @ 240V	180	180	240	360
@ 480V	150	150	200	300
@ 600V	120	120	160	240
Number of Poles	2	3	3	3
Wire Size (AWG)	16 to 8	16 to 8	14 to 6	14 to 2

**Note:**

1) Contacts are rated to 600 Vac.

2) Poles cannot be used in parallel to increase current rating.

3) Relays do not provide overload protection from motors.

4) Relays must be mounted vertically.

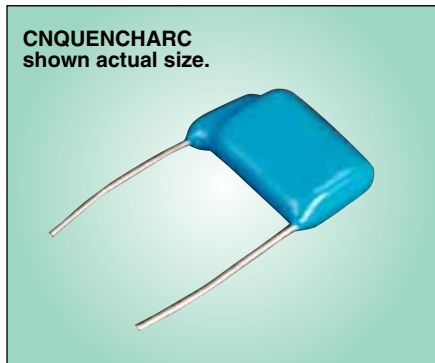
## Mechanical Contactors for Temperature Control

OMEGA® mechanical contactors are designed to be used independently with 120 and 240 Vac control signals or with any of the OMEGA® temperature controllers. OMEGA® special purpose contactors provide the process industry with exceptionally reliable control for heating and cooling applications. Long electromechanical life is assured by extra electrical capacity and short stroke magnet design. Silver-cadmium oxide contacts have superior weld resistant characteristics, high conductivity and high resistance to arc erosion. The specially designed contact spacing gives arc over protection up to 600 Vac.

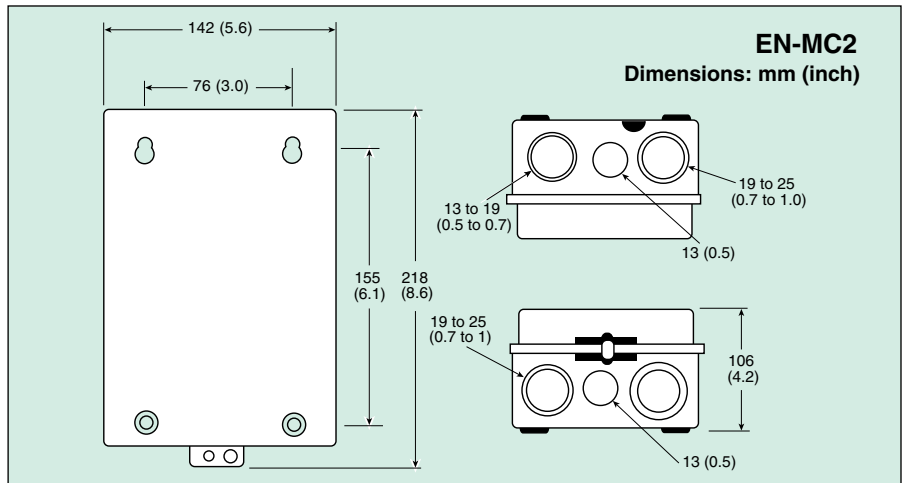
Installation is simplified because terminal and mounting screws are accessible from the same direction. Contactors are designed to be mounted vertically either exposed, in existing equipment, or individually using NEMA 1 (IP10) enclosures (Model EN-MC2).



EN-MC2 relay enclosure shown smaller than actual size.



CNQUENCHARC shown actual size.

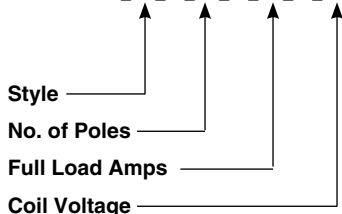


## How To Order

### Select:

1. Style
2. Determine No. of Poles
3. Full Load Amps
4. Coil Voltage

**MC [1]-[2]-[3]-[4]**



## To Order Visit [omega.com/mc1\\_mc2\\_mc3](http://omega.com/mc1_mc2_mc3) for Pricing and Details

Model Number	Description
MC2-2-40-120	120 Vac coil, 40 Amp, 2-pole magnetic contactor
MC2-2-40-240	240 Vac coil, 40 Amp, 2-pole magnetic contactor
MC2-3-40-240	240 Vac coil, 40 Amp, 3-pole magnetic contactor
MC2-3-50-240	240 Vac coil, 50 Amp, 3-pole magnetic contactor
MC3-3-75-240	240 Vac coil, 75 Amp, 3-pole magnetic contactor

### Accessory (Field Installable)

Model No.	Description
CNQUENCHARC	Noise suppression RC snubber (2 leads), 110 to 230 Vac

Comes complete with operator's manual.

Ordering Example: MC2-2-40-120, 120 Vac coil, 40 Amp, 2-pole, magnetic contactor.