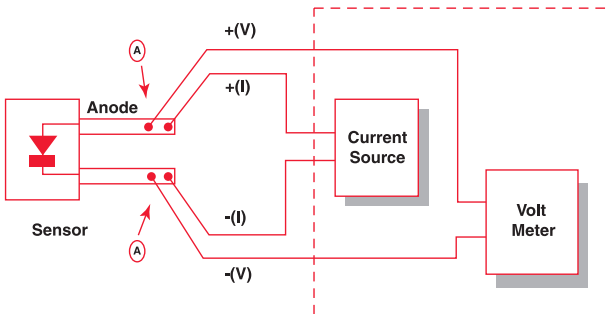
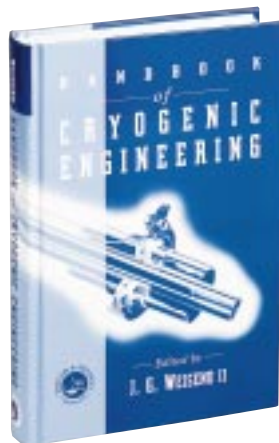


# Platinum Resistance Sensors and Silicon Diode Accessories



Typical connection for sensors such as the CY7 series. The connection points (A) are made close to the sensor in the case of 4-lead measurement, and near or at the instrumentation for a 2-lead measurement. Generally, the 4-lead connection is preferred.



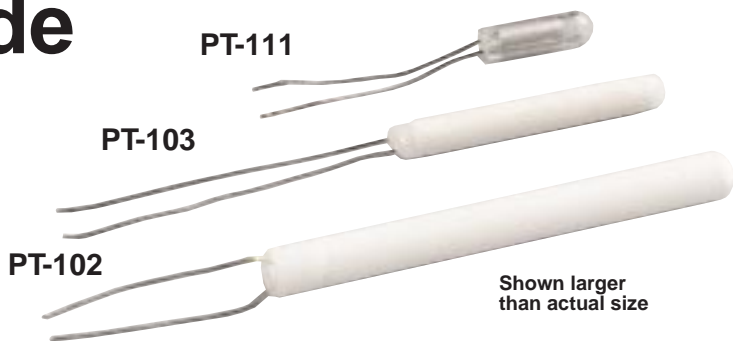
Order No. OP-18  
\$140.00

## Handbook of Cryogenic Engineering

J.G. Weisend II

This book was written chiefly to help physicists, physical chemists, metallurgists and engineers carry out investigations at low temperatures. It deals with the production and measurement of low temperatures, the handling of liquefied gases on the laboratory scale and the principles and some of the

details of the design of experimental temperature control. Physical data used in making low-temperature equipment is given. Enough fundamental principles are included to make this book useful to the advanced university or graduate student. Additional material includes the use of Helium-II cooling to 1K Gifford-McMahon cooling, and other thermometry developments, new physical data on materials and extensive literature references.



## 100Ω Platinum Resistance Sensors

To Order (Specify Model Number)		
Model No.	Price	Description
PT-102	\$ 70	Sensor, 2 x 20.3 mm (250 mg)
PT-103	110	Sensor, 1.8 x 12.1 mm (120 mg)
PT-111	115	Sensor, 1.8 x 5 mm (52 mg)

## 4-Wire stainless steel probe (Band 4 Silicon Diode Sensor)

To Order (Specify Model Number)		
Model No.	Price	Description
CY82-4SL	\$176	6" probe, 12" cable, stripped leads, 1/8" SS Sheath
CY82-P1	12	Sensor Plug for CYTX231 Series
CY82-P2	12	Sensor Plug for CYC320 Series
CY82-P3	24	Sensor Plug and back shell for CYD218E
CY82-P4	24	14-Pin Connector for CYD218S for relays and analog outputs

## Special Low Thermal Conductivity Extension Wire for CY7 Series Diodes

To Order (Specify Model Number)		
Model No.	Price	Description
CYW4-32-25	\$120	4-lead wire, 32 AWG, 25 ft.*
CYW4-32-100	275	4-lead wire, 32 AWG, 100 ft.*
CYW4-32-500	995	4-lead wire, 32 AWG, 500 ft.*
CYW4-36-25	90	4-lead wire, 36 AWG, 25 ft.*
CYW4-36-100	215	4-lead wire, 36 AWG, 100 ft.*
CYW4-36-500	715	4-lead wire, 36 AWG, 100 ft.*

\* Phosphor bronze wire, Insulation is polyimide on 32 AWG wire and formvar (vinyl acetal) on 36 AWG wire. Both types of insulation are rated down to 1.4K

## Constant Current Power Supply

To Order (Specify Model Number)		
Model No.	Price	Description
CY101-PS	\$215	9V Battery powered, factory preset @ 10µA. Internally selectable 1µA to 1 mA.
CY120-PS	625	120 Vac powered, switch selectable 1µA to 100mA



#### UNITED STATES

[www.omega.com](http://www.omega.com)  
1-800-TC-OMEGA  
Stamford, CT.

#### CANADA

[www.omega.ca](http://www.omega.ca)  
Laval(Quebec)  
1-800-TC-OMEGA

#### GERMANY

[www.omega.de](http://www.omega.de)  
Deckenpfronn, Germany  
0800-8266342

#### UNITED KINGDOM

[www.omega.co.uk](http://www.omega.co.uk)  
Manchester, England  
0800-488-488

#### FRANCE

[www.omega.fr](http://www.omega.fr)  
Guyancourt, France  
088-466-342

#### CZECH REPUBLIC

[www.omegaeng.cz](http://www.omegaeng.cz)  
Karviná, Czech Republic  
596-311-899

#### BENELUX

[www.omega.nl](http://www.omega.nl)  
Amstelveen, NL  
0800-099-33-44



## More than 100,000 Products Available!

### • Temperature

Calibrators, Connectors, General Test and Measurement Instruments, Glass Bulb Thermometers, Handheld Instruments for Temperature Measurement, Ice Point References, Indicating Labels, Crayons, Cements and Lacquers, Infrared Temperature Measurement Instruments, Recorders Relative Humidity Measurement Instruments, RTD Probes, Elements and Assemblies, Temperature & Process Meters, Timers and Counters, Temperature and Process Controllers and Power Switching Devices, Thermistor Elements, Probes and Assemblies, Thermocouples Thermowells and Head and Well Assemblies, Transmitters, Wire

### • Flow and Level

Air Velocity Indicators, Doppler Flowmeters, Level Measurement, Magnetic Flowmeters, Mass Flowmeters, Pitot Tubes, Pumps, Rotameters, Turbine and Paddle Wheel Flowmeters, Ultrasonic Flowmeters, Valves, Variable Area Flowmeters, Vortex Shedding Flowmeters

### • pH and Conductivity

Conductivity Instrumentation, Dissolved Oxygen Instrumentation, Environmental Instrumentation, pH Electrodes and Instruments, Water and Soil Analysis Instrumentation

### • Data Acquisition

Auto-Dialers and Alarm Monitoring Systems, Communication Products and Converters, Data Acquisition and Analysis Software, Data Loggers Plug-in Cards, Signal Conditioners, USB, RS232, RS485 and Parallel Port Data Acquisition Systems, Wireless Transmitters and Receivers

### • Pressure, Strain and Force

Displacement Transducers, Dynamic Measurement Force Sensors, Instrumentation for Pressure and Strain Measurements, Load Cells, Pressure Gauges, Pressure Reference Section, Pressure Switches, Pressure Transducers, Proximity Transducers, Regulators, Strain Gages, Torque Transducers, Valves

### • Heaters

Band Heaters, Cartridge Heaters, Circulation Heaters, Comfort Heaters, Controllers, Meters and Switching Devices, Flexible Heaters, General Test and Measurement Instruments, Heater Hook-up Wire, Heating Cable Systems, Immersion Heaters, Process Air and Duct, Heaters, Radiant Heaters, Strip Heaters, Tubular Heaters