

Low-Cost Handheld Infrared Pyrometers 1° Resolution

DISCONTINUED

OS200 Series
Starts at
\$267



OS201C
\$267

OS202C
\$345

OS200-COVER
Rubber Boot
\$34

- ✓ -20 to 250°C (-5 to 482°F) Range
- ✓ ±1% Reading ±1°C (±1% Reading 2°F) Accuracy
- ✓ Backlit LCD Display with 1° Resolution
- ✓ Fixed Emissivity Models

Applications

- Quality Control
- Plant and Equipment Servicing
- Preventive Maintenance and Troubleshooting
- Energy Management, Electrical, HVAC

DISCONTINUED



DISCONTINUED

CAUTION! – This product is not intended for medical use or use on humans

The OS201 is an instrument and fixed probe with a semi-flexible shaft, making these models suitable for one-handed operation. The OS202 consists of an instrument and a remote probe with a semi-flexible shaft that is connected to the instrument by a retractable coiled cord, making it suitable for two-handed operation. The semi-flexible shaft on the OS201 and OS202 makes these models ideal for measuring the temperature of inaccessible or awkwardly placed objects.

The OS201 and OS202 are more suitable for measuring the temperature of more distant objects.

Specifications

- Accuracy:** ±1% rdg ±1°C (±1%rdg ±2°F) for OS201, OS202
- Repeatability:** ±0.5°C ±1 digit (±1°F ±1 digit) given a constant distance from the target and stable ambient temperature
- Resolution:** 1°C/1°F
- Sample Rate:** 2.5 times per second
- Response Time:** < 1 sec (63% of peak)
- Measuring Mode:** Continuous

Ambient Operating Range:

- 10 to 50°C (14 to 122°F)
- Power:** 9 V alkaline battery, included (MN1604 or equivalent)
- Battery Life:** 500 hr typical (alkaline battery)
- Display:** 3½ digit backlit LCD
- Spectral Response:** 6 to 14 microns
- Dimensions (Instrument Only, Excluding Probe):** 140 H x 70 W x 26 mm D (5.6 x 2.8 x 1.04")

DISCONTINUED

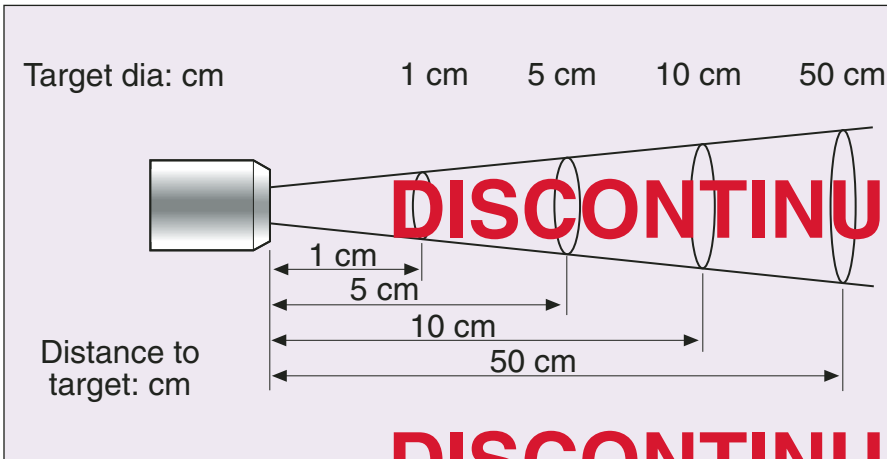
DISCONTINUED

To Order (Specify Model Number)						
Model No.	Price	Temperature Range	Emissivity	Optical System	Max/Min Hold	Weight (with probe)
OS201F	\$267	-5 to 482°F	Fixed 0.95	No lens	No	240 g (8.5 oz)
OS201C	267	-20 to 250°C	Fixed 0.95	No lens	No	240 g (8.5 oz)
OS202F	345	-5 to 482°F	Fixed 0.95	No lens	No	337 g (12 oz)
OS202C	345	-20 to 250°C	Fixed 0.95	No lens	No	337 g (12 oz)

Comes with 9 V battery and complete operator's manual.

Ordering Example: OS201C infrared pyrometer with -20 to 250°C range and fixed 0.95 emissivity (\$267) plus OS200-COVER protective rubber boot (\$34), \$267 + 34 = \$301.

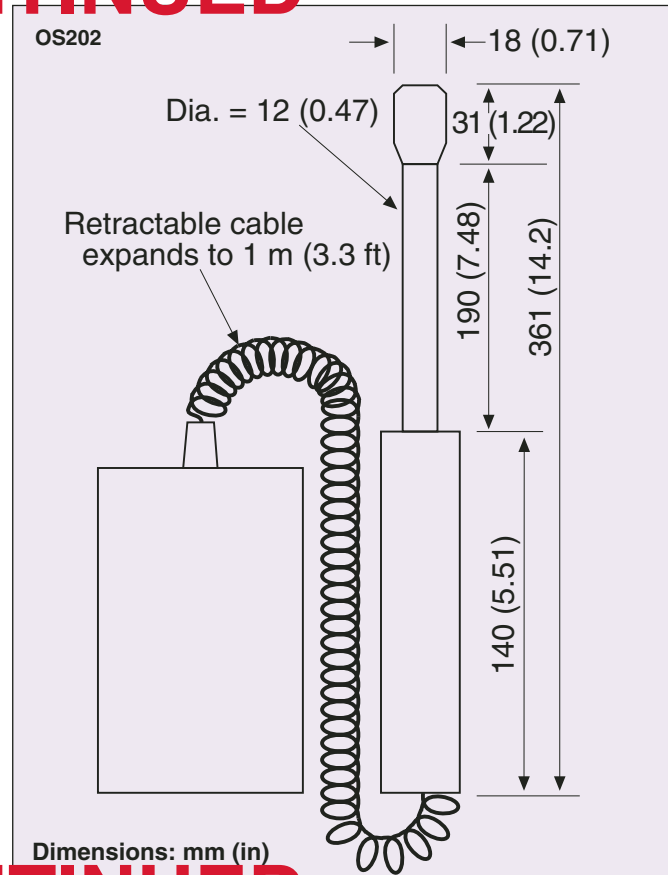
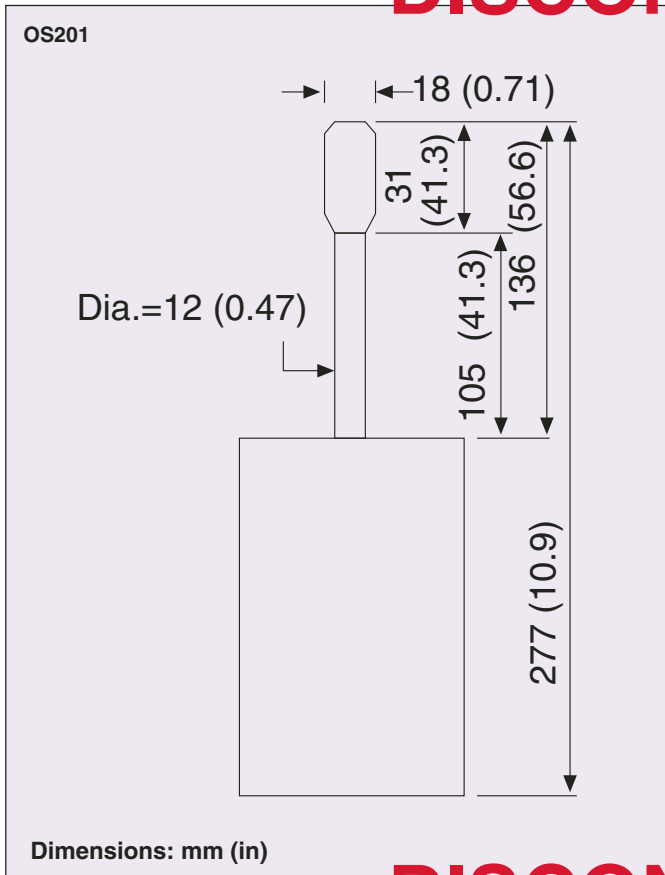
Field of View, OS201 and OS202



Accessories

Model No.	Price	Description
OS200-COVER	\$34	Protective rubber boot
CAL-3-IR	125	NIST traceable calibration

DISCONTINUED



DISCONTINUED



UNITED STATES

www.omega.com
1-800-TC-OMEGA
Stamford, CT.

CANADA

www.omega.ca
Laval(Quebec)
1-800-TC-OMEGA

GERMANY

www.omega.de
Deckenpfronn, Germany
0800-8266342

UNITED KINGDOM

www.omega.co.uk
Manchester, England
0800-488-488

FRANCE

www.omega.fr
Guyancourt, France
088-466-342

CZECH REPUBLIC

www.omegaeng.cz
Karviná, Czech Republic
596-311-899

BENELUX

www.omega.nl
Amstelveen, NL
0800-099-33-44



More than 100,000 Products Available!

• Temperature

Calibrators, Connectors, General Test and Measurement Instruments, Glass Bulb Thermometers, Handheld Instruments for Temperature Measurement, Ice Point References, Indicating Labels, Crayons, Cements and Lacquers, Infrared Temperature Measurement Instruments, Recorders Relative Humidity Measurement Instruments, RTD Probes, Elements and Assemblies, Temperature & Process Meters, Timers and Counters, Temperature and Process Controllers and Power Switching Devices, Thermistor Elements, Probes and Assemblies, Thermocouples Thermowells and Head and Well Assemblies, Transmitters, Wire

• Flow and Level

Air Velocity Indicators, Doppler Flowmeters, Level Measurement, Magnetic Flowmeters, Mass Flowmeters, Pitot Tubes, Pumps, Rotameters, Turbine and Paddle Wheel Flowmeters, Ultrasonic Flowmeters, Valves, Variable Area Flowmeters, Vortex Shedding Flowmeters

• pH and Conductivity

Conductivity Instrumentation, Dissolved Oxygen Instrumentation, Environmental Instrumentation, pH Electrodes and Instruments, Water and Soil Analysis Instrumentation

• Data Acquisition

Auto-Dialers and Alarm Monitoring Systems, Communication Products and Converters, Data Acquisition and Analysis Software, Data Loggers Plug-in Cards, Signal Conditioners, USB, RS232, RS485 and Parallel Port Data Acquisition Systems, Wireless Transmitters and Receivers

• Pressure, Strain and Force

Displacement Transducers, Dynamic Measurement Force Sensors, Instrumentation for Pressure and Strain Measurements, Load Cells, Pressure Gauges, Pressure Reference Section, Pressure Switches, Pressure Transducers, Proximity Transducers, Regulators, Strain Gages, Torque Transducers, Valves

• Heaters

Band Heaters, Cartridge Heaters, Circulation Heaters, Comfort Heaters, Controllers, Meters and Switching Devices, Flexible Heaters, General Test and Measurement Instruments, Heater Hook-up Wire, Heating Cable Systems, Immersion Heaters, Process Air and Duct, Heaters, Radiant Heaters, Strip Heaters, Tubular Heaters