

OS36 Series Accessories

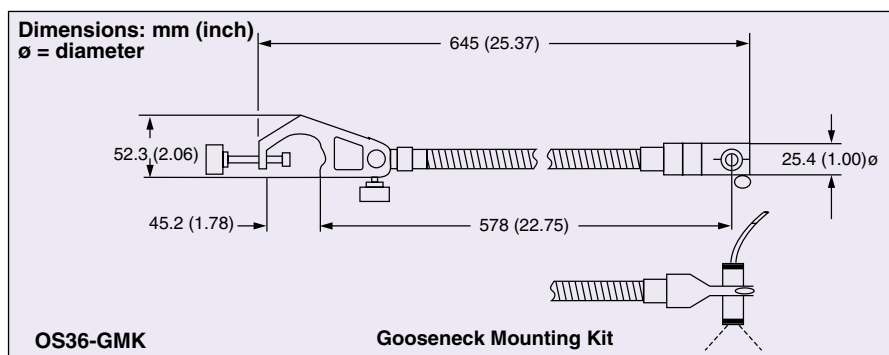
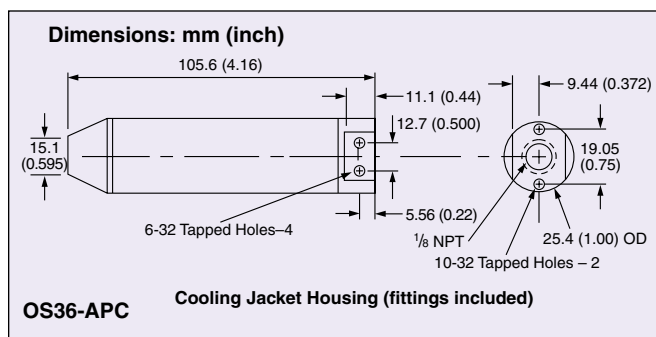
Cooling Jacket Kit for OS36 and OS36-2



The water cooling system consists of a seamless monotube, to eliminate the possibility of leaking joints. The seamless tubing extends 1 m (3') from the rear of the housing for convenience.

- ✓ Seamless Copper Monotube Cooling Coil
- ✓ Complete Equipment for Water Cooling
- ✓ Super-Efficient Design for Low Water Use
- ✓ Water Cooling to 540°C (1000°F) with as Little as 0.05 gpm (190 cc/minute)

Extraordinarily efficient in design, the OS36-APC needs water flow rate of only 0.05 gpm (190 cc/minute) to protect an infrared thermocouple at 540°C (1000°F). This convenient and inexpensive kit makes it possible to use the OS36 or OS36-2 with water for service in harsh environments. Measuring only 25 x 100 mm (4 x 1") overall, the OS36-APC is small enough to fit into tight areas to closely monitor process temperatures up close (in the optimum position). It can withstand the harshest environments with its all stainless steel housing.



To Order	
Model No.	Description
OS36-APC	Cooling jacket for OS36 and OS36-2, includes manual
OS36-GMK	Gooseneck mounting kit
OS36-MB2	Stainless steel mounting bracket for OS36-5, OS36-10, OS37-10, OS38-10, OS37-100 and OS38-100

Ordering Example: OS36-APC, cooling jacket for OS36 and OS36-2.