

OS36 Series Accessories

Cooling Jacket Kit for OS36 and OS36-2



Model OS36-APC

\$349



Gooseneck Mounting Kit

Model OS36-GMK

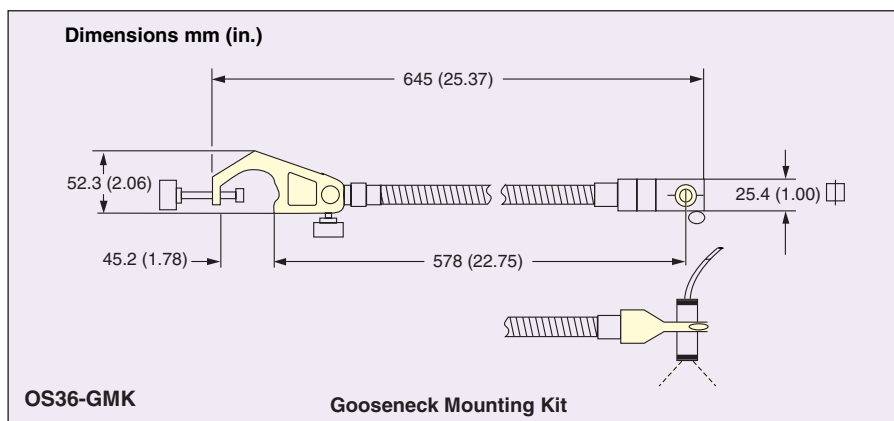
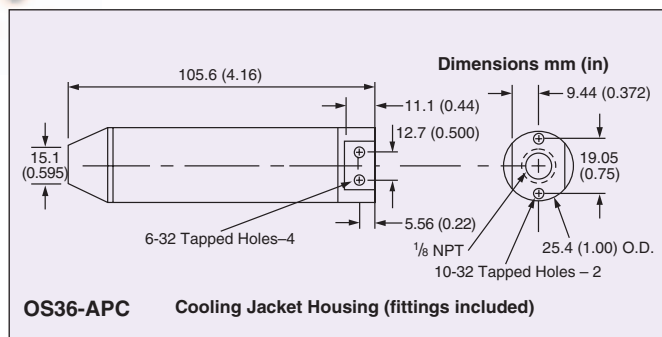
\$80



The water cooling system consists of a seamless monotube, to eliminate the possibility of leaking joints. The seamless tubing extends 1 m (3 ft.) from the rear of the housing for convenience

- ✔ Seamless Copper Monotube Cooling Coil
- ✔ Complete Equipment for Air Cooling and/or Water Cooling
- ✔ Air Purge Included
- ✔ Super-Efficient Design for Low Air or Low Water Use
- ✔ Water Cooling to 540°C (1000°F) with as Little as 0.05 gpm (190 cc/min)

Extraordinarily efficient in design, the OS36-APC needs water flow rate of only 0.05 gpm (190 cc/min.) to protect an infrared thermocouple at 540°C (1000°F). This convenient and inexpensive kit makes it possible to use either the OS36 or OS36-2 with air, water or both for service in harsh environments. Measuring only 25 x 100 mm (4" x 1") overall, the OS36-APC is small enough to fit into tight areas to closely monitor process temperatures up close (in the optimum position). It can withstand the harshest environments with its all stainless steel housing.



ALL ACCESSORIES AVAILABLE FOR FAST DELIVERY!

To Order (Specify Model Number)

Model Number	Price	Description
OS36-APC	\$349	Cooling jacket for OS36 and OS36-2, includes manual
OS36-GMK	80	Gooseneck mounting kit
OS36-APK-120	149	Air pump kit for air purge supply for OS36-2 and OS36-5, 120 Vac, 1960 cc/min. (120 cu. in./min.)
OS36-APK-12	149	Air pump kit for air purge supply for OS36-2 and OS36-5, 12 Vdc, 1960 cc/min. (120 cu. in./min.)
OS36-MB2	35	Stainless steel mounting bracket for OS36-5, OS36-10, OS37-10, OS38-10, OS37-100 and OS38-100



UNITED STATES

www.omega.com
1-800-TC-OMEGA
Stamford, CT.

CANADA

www.omega.ca
Laval(Quebec)
1-800-TC-OMEGA

GERMANY

www.omega.de
Deckenpfronn, Germany
0800-8266342

UNITED KINGDOM

www.omega.co.uk
Manchester, England
0800-488-488

FRANCE

www.omega.fr
Guyancourt, France
088-466-342

CZECH REPUBLIC

www.omegaeng.cz
Karviná, Czech Republic
596-311-899

BENELUX

www.omega.nl
Amstelveen, NL
0800-099-33-44



More than 100,000 Products Available!

• Temperature

Calibrators, Connectors, General Test and Measurement Instruments, Glass Bulb Thermometers, Handheld Instruments for Temperature Measurement, Ice Point References, Indicating Labels, Crayons, Cements and Lacquers, Infrared Temperature Measurement Instruments, Recorders Relative Humidity Measurement Instruments, RTD Probes, Elements and Assemblies, Temperature & Process Meters, Timers and Counters, Temperature and Process Controllers and Power Switching Devices, Thermistor Elements, Probes and Assemblies, Thermocouples Thermowells and Head and Well Assemblies, Transmitters, Wire

• Flow and Level

Air Velocity Indicators, Doppler Flowmeters, Level Measurement, Magnetic Flowmeters, Mass Flowmeters, Pitot Tubes, Pumps, Rotameters, Turbine and Paddle Wheel Flowmeters, Ultrasonic Flowmeters, Valves, Variable Area Flowmeters, Vortex Shedding Flowmeters

• pH and Conductivity

Conductivity Instrumentation, Dissolved Oxygen Instrumentation, Environmental Instrumentation, pH Electrodes and Instruments, Water and Soil Analysis Instrumentation

• Data Acquisition

Auto-Dialers and Alarm Monitoring Systems, Communication Products and Converters, Data Acquisition and Analysis Software, Data Loggers Plug-in Cards, Signal Conditioners, USB, RS232, RS485 and Parallel Port Data Acquisition Systems, Wireless Transmitters and Receivers

• Pressure, Strain and Force

Displacement Transducers, Dynamic Measurement Force Sensors, Instrumentation for Pressure and Strain Measurements, Load Cells, Pressure Gauges, Pressure Reference Section, Pressure Switches, Pressure Transducers, Proximity Transducers, Regulators, Strain Gages, Torque Transducers, Valves

• Heaters

Band Heaters, Cartridge Heaters, Circulation Heaters, Comfort Heaters, Controllers, Meters and Switching Devices, Flexible Heaters, General Test and Measurement Instruments, Heater Hook-up Wire, Heating Cable Systems, Immersion Heaters, Process Air and Duct, Heaters, Radiant Heaters, Strip Heaters, Tubular Heaters