

Pulse Control Module

Converts 4 to 20 mA to Proportional Power Control

PCM4



- ✔ Converts 4 to 20 mA Input from Temperature Controller or Computer to Time Proportional Output
- ✔ Mounts Directly on an OMEGA® 3 to 32 Vdc Input SSR
- ✔ Supports Single or 3-Phase Operation
- ✔ 50 or 60 Hz Operation



PCM4 shown actual size mounted on SSR240DC10



PCM4 shown actual size.

The OMEGA® PCM series converter modules facilitate conversion of a 4 to 20 mA output to an on/off time proportioning output. The modules mount directly to the input terminals of an SSR. Screw terminals are provided on the converter of the 4 to 20 mA control signal. The SSR's power section connects in standard fashion to the line and load.

The PCM module with a solid state relay provides a rectangular shape, time proportional (zero-fired) control signal to the load. Thus, the average power to the load is proportional to the 4 to 20 mA input signal.

Specifications

Analog Input Signal: 4 to 20 mAdc

Note: Control signal cannot drop below 4 mAdc or improper operation may occur.

Compliance Voltage Requirement:

Time Base: 3 cycle resolution
6.4 Vdc (320 Ω @ 20mA)

Ambient Temperature:

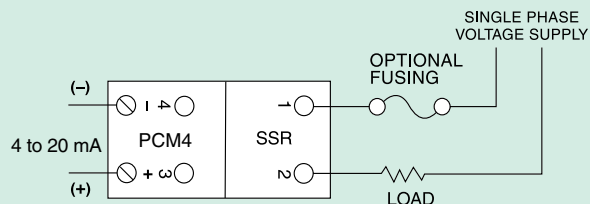
0 to 40°C (32 to 104°F)

Dimensions:

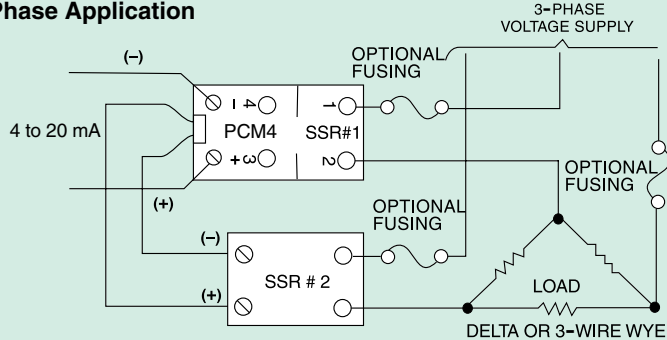
32 W x 45 L x 20 mmD

(1.25 x 1.75 x 0.75")

Single-Phase Application



3-Phase Application



To Order

Model No.	Description
PCM4	Pulse control module

Comes complete with operator's manual.

Ordering Example: PCM4, pulse control module that supports 1 or 2 SSR's.