

# Sanitary RTD Probes

## Standard Duty with M12 Connector

### PRS-S-M12 Series



74-06

**Provides Quick and Easy Installation in CIP and Sanitary Processes**

4-pin M12 connector plug.

316L SS 1½" 16 AMP Tri-Grip™ cap standard.

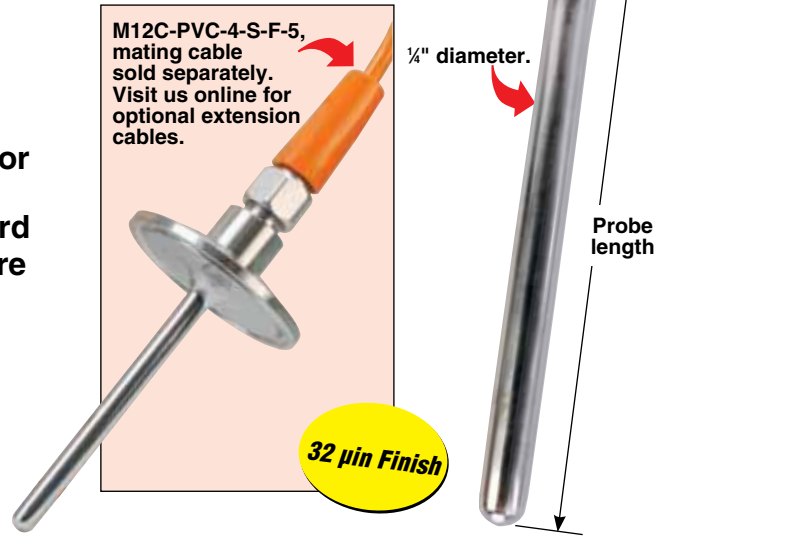
PRS-3-100-A-S-0300-D1-M12 shown actual size.

- ✓ Standard Duty ¼" Probe Diameter
- ✓ 1½" 16 AMP Tri-Grip™ (Tri-Clamp® Compatible) Fitting Standard
- ✓ 4-Wire M12 Male Connector Standard
- ✓ 316L SS Wetted Surfaces with 32 µin or Better Finish
- ✓ 4-Wire Pt100 Class A Element Standard
- ✓ -50 to 200°C (-58 to 392°F) Temperature Range

#### Options

- ✓ Fitting Styles
- ✓ Probe Lengths
- ✓ RTD Elements

**Sensor Flange Size Range ¾ to 4" Tri-Grip™ Process Flange. Visit us online for Details**

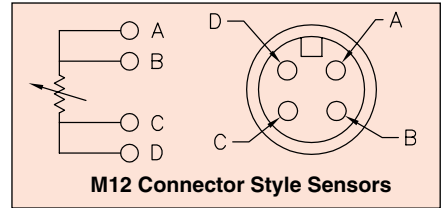


M12C-PVC-4-S-F-5, mating cable sold separately. Visit us online for optional extension cables.

**32 µin Finish**

The OMEGA® PRS-S-M12 Series RTD probes are available in standard lengths from 3 to 6", with a 4-wire Pt100 Class A element (100 ±0.06 Ω at 0°C) that is compatible with 3-wire RTD instrumentation. Standard features include a 1½" 16 AMP Tri-Grip™ fitting and 4-wire M12 male connector termination. Please consult sales for available options, including element types and curves, probe lengths, and sanitary fitting styles.

**Visit us online for M12 Transmitter Options**



To Order				
Model No.	Lead Wire Style	Ω At 0°C	Sheath Diameter	Probe Length
PRS-3-100-A-S-0300-D1-M12	4-wire	100	¼"	3"
PRS-3-100-A-S-0400-D1-M12	4-wire	100	¼"	4"
PRS-3-100-A-S-0500-D1-M12	4-wire	100	¼"	5"
PRS-3-100-A-S-0600-D1-M12	4-wire	100	¼"	6"

Visit [omega.com](http://omega.com) for M12C series cables with M12 connectors.

**Note:** Please consult sales for available options, including element types and curves, probe lengths, and sanitary fitting styles.

**Ordering Examples:** PRS-3-100-A-S-0400-D1-M12, 4-wire Pt100 RTD sensor (100 Ω @ 0°C, Class A accuracy), 1½" 16 AMP Tri-Grip™ fitting, 4" length, standard duty probe, M12 male connector, and M12C-PVC-4-S-F-5, 5 m (16.4') PVC cable with M12 connector and stripped lead termination.

PRS-3-100-A-S-0500-D1-M12, 4-wire Pt100 RTD sensor (100 Ω @ 0°C, Class A accuracy), 1½" 16 AMP Tri-Grip™ fitting, 5" length, standard duty probe, M12 male connector, and M12C-PVC-4-S-F-5, 5 m (16.4') PVC cable with M12 connector and stripped lead termination.

# Sanitary RTD Probes

## Heavy-Duty with M12 Connector

### PRS-H-M12 Series



**Provides Quick and Easy Installation in CIP and Sanitary Processes**

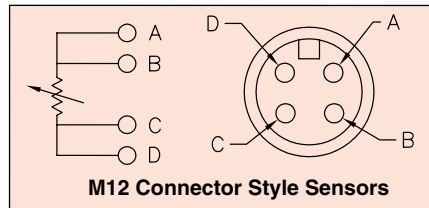
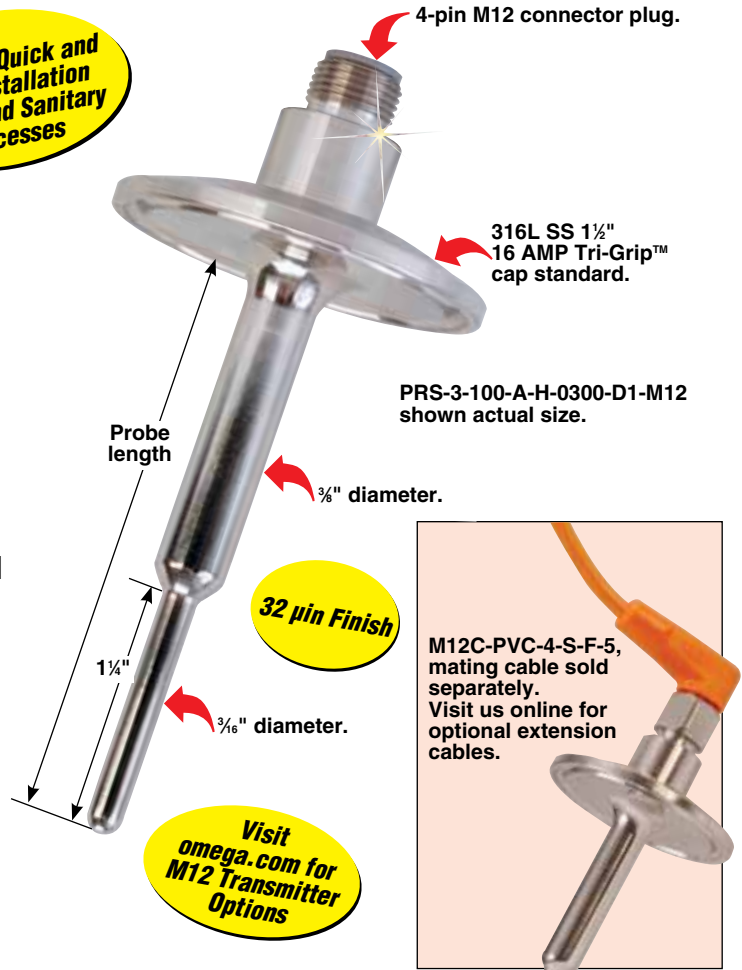
- ✓ Heavy Duty Probe Design with Stepped Probe Stem for Additional Strength
- ✓ 1½" 16 AMP Tri-Grip™ (Tri-Clamp® Compatible) Fitting Standard
- ✓ 4-Wire M12 Male Connector Standard
- ✓ 316L SS Wetted Surfaces with 32 µin or Better Finish
- ✓ 4-Wire Pt100 Class A Element Standard
- ✓ -50 to 200°C (-58 to 392°F) Temperature Range

### Options

- ✓ Fitting Styles
- ✓ Probe Lengths
- ✓ RTD Elements

**Sensor Flange Size Range ¼" to 4" Tri-Grip™ Process Flange. Visit us online for Details**

The OMEGA® PRS-H-M12 Series RTD probes are available in standard lengths from 3 to 6", with a 4-wire Pt100 Class A element (100 ±0.06 Ω at 0°C) that is compatible with 3-wire RTD instrumentation. These heavy-duty probes have a ⅜" diameter, which steps down to a ⅙" diameter at the probe tip, for fast response and additional strength. Standard features include a 1½" 16 AMP Tri-Grip™ fitting and 4-wire M12 male connector termination. Please consult sales for available options, including element types and curves, probe lengths, and sanitary fitting styles.



To Order				
Model No.	Lead Wire Style	Ω at 0°C	Sheath Diameter	Probe Length
PRS-3-100-A-H-0300-D1-M12	4-wire	100	⅜"	3"
PRS-3-100-A-H-0400-D1-M12	4-wire	100	⅜"	4"
PRS-3-100-A-H-0500-D1-M12	4-wire	100	⅜"	5"
PRS-3-100-A-H-0600-D1-M12	4-wire	100	⅜"	6"

Visit [omega.com](http://omega.com) for M12C series cables with M12 connectors.

**Note:** Please consult sales for available options, including element types and curves, probe lengths, and sanitary fitting styles.

**Ordering Examples:** PRS-3-100-A-H-0400-D1-M12, 4-wire Pt100 RTD sensor (100 Ω @ 0°C, Class A accuracy), 1½" 16 AMP Tri-Grip™ fitting, 4" length, heavy-duty probe, M12 male connector, and M12C-PVC-4-S-F-5, 5 m (16.4') PVC cable with M12 connector and stripped lead termination.

PRS-3-100-A-H-0300-D1-M12, 4-wire Pt100 RTD sensor (100 Ω @ 0°C, Class A accuracy), 1½" 16 AMP Tri-Grip™ fitting, 3" length, heavy-duty probe, M12 male connector.