

Sanitary Probes

With Integral Transmitter and M12 Connector

Sensor Flange Size Range 3/4" to 4" Tri-Grip™ Process Flange. See OMEGA for Details

3-A Approved, Standard Duty with Built-In 4 to 20 mA Transmitter

PRS-S-0400-D1-TM2M12 shown actual size.

PRS-S-TMM12 Series



- ✓ Two Available Transmitter Ranges (4 to 20 mA) Between -40 and 93°C (-40 to 200°F)
- ✓ Standard Duty 1/4" Diameter Probe (3 to 6" Lengths Standard)
- ✓ 1 1/2" 16 AMP Tri-Grip™ (Tri-Clamp® Compatible) Fitting Standard
- ✓ 4 to 20 mA Output Proportional to Temperature
- ✓ Supply Voltage 8 to 35 Vdc (24 Vdc Recommended)
- ✓ 4-Pin M12 Male Connector Standard
- ✓ 316L SS Wetted Surfaces with 32 µin or Better Surface Finish
- ✓ -50 to 200°C (-58 to 392°F) Sensing Temperature [85°C (185°F) Maximum at Connector End]

Options

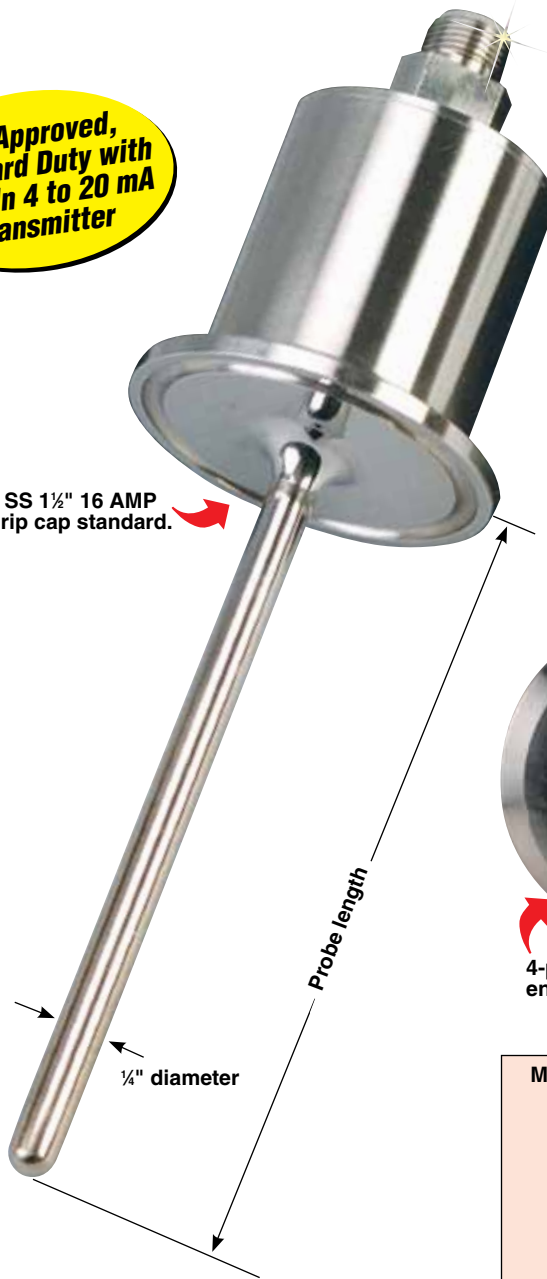
- ✓ Fitting Styles and Sizes
- ✓ Probe Lengths
- ✓ Transmitter Output Ranges

The OMEGA® PRS-S-TMM12 Series probes are identical to the PRS-S-M12 probes except for the addition of a built-in 4 to 20 mA transmitter inside the housing. This eliminates the need for a separate transmitter when a 4 to 20 mA signal is required for your instrumentation. The housing cover is removable, allowing for adjustment of the transmitters zero and span settings.

316L SS 1 1/2" 16 AMP Tri-Grip cap standard.

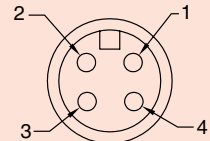
See OMEGA for M12C cable assemblies.

4-pin male M12 connector end shown actual size.



M12 Connector Style Sensors

4-pin male M12 connector
Pin no. 1 = Input (+)
Pin no. 3 = Signal (-)



To Order

Model Number	Sheath Diameter	Probe Length
PRS-S-0300-D1-TM(*)M12	1/4"	3"
PRS-S-0400-D1-TM(*)M12	1/4"	4"
PRS-S-0500-D1-TM(*)M12	1/4"	5"
PRS-S-0600-D1-TM(*)M12	1/4"	6"

* Insert transmitter temperature range, "1" for -40 to 49°C (-40 to 120°F), or "2" for -18 to 93°C (0 to 200°F).

Please consult sales for other flange diameters, styles and probe lengths.

Ordering Examples: PRS-S-0300-D1-TM2M12, 1/4" diameter, 3" long probe with 1 1/2" 16 AMP Tri-Grip™ flange, transmitter ranged from -18 to 93°C (0 to 200°F) and M12 connector.

PRS-S-0600-D1-TM1M12, 1/4" diameter, 6" long probe with 1 1/2" 16 AMP Tri-Grip™ flange, transmitter ranged from -40 to 49°C (-40 to 120°F) with M12 connector.

Sanitary Probes

With Integral Transmitter and M12 Connector

PRS-H-TMM12 Series



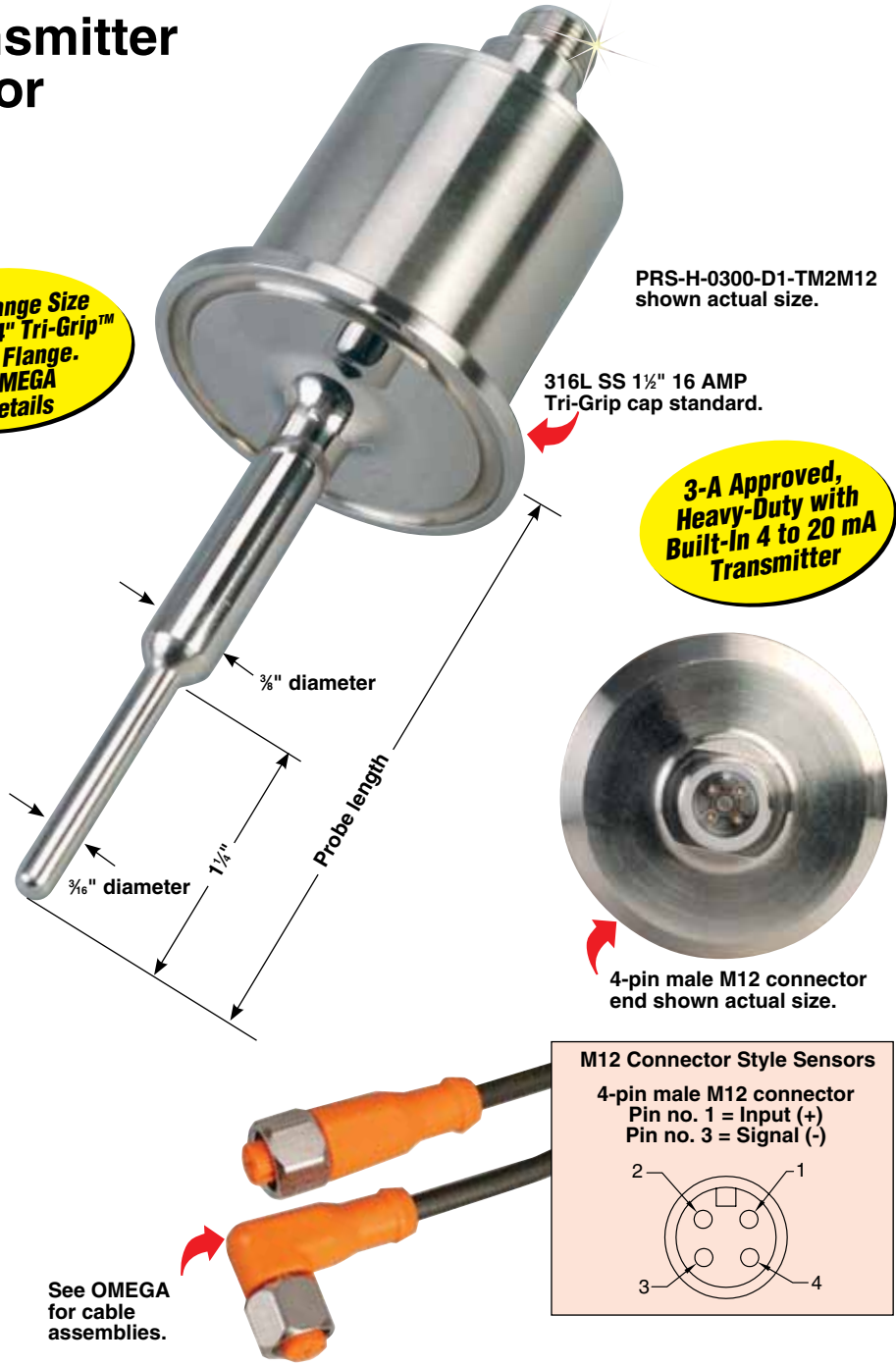
Sensor Flange Size Range 3/4 to 4" Tri-Grip™ Process Flange. See OMEGA for Details

- ✓ Two Available Transmitter Ranges (4 to 20 mA) Between -40 and 93°C (-40 and 200°F)
- ✓ Heavy-Duty with Stepped Stem for Additional Strength
- ✓ 1½" 16 AMP Tri-Grip™ (Tri-Clamp® Compatible) Fitting Standard
- ✓ 4 to 20 mA Output Proportional to Temperature
- ✓ Supply Voltage 8 to 35 Vdc (24 Vdc Recommended)
- ✓ M12 Male Connector Standard
- ✓ 316L SS Wetted Surfaces with 32 µin or Better Surface Finish
- ✓ -50 to 200°C (-58 to 392°F) Sensing Temperature [85°C (185°F) Maximum at Connector End]

Options

- ✓ Fitting Styles and Sizes
- ✓ Probe Lengths
- ✓ Transmitter Output Ranges

The OMEGA® PRS-H-TMM12 Series probes are identical to the PRS-H-M12 probes except for the addition of a built-in 4 to 20 mA transmitter inside the housing. This eliminates the need for a separate transmitter when a 4 to 20 mA signal is required for your instrumentation. The housing cover is removable, allowing for adjustment of the transmitters zero and span settings.

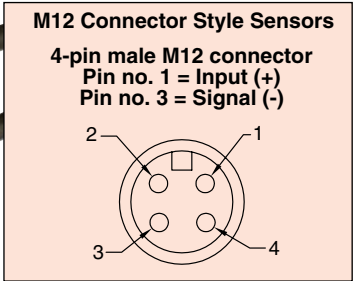


PRS-H-0300-D1-TM2M12 shown actual size.

316L SS 1½" 16 AMP Tri-Grip cap standard.

3-A Approved, Heavy-Duty with Built-In 4 to 20 mA Transmitter

4-pin male M12 connector end shown actual size.



See OMEGA for cable assemblies.

To Order		
Model Number	Sheath Diameter	Probe Length
PRS-H-0300-D1-TM(*)M12	3/8 to 3/16"	3"
PRS-H-0400-D1-TM(*)M12	3/8 to 3/16"	4"
PRS-H-0500-D1-TM(*)M12	3/8 to 3/16"	5"
PRS-H-0600-D1-TM(*)M12	3/8 to 3/16"	6"

* Insert transmitter temperature range, "1" for -40 to 49°C (-40 to 120°F), or "2" for -18 to 93°C (0 to 200°F).
Please consult sales for other flange diameters, styles and probe lengths.
Ordering Examples: PRS-H-0300-D1-TM2M12, heavy-duty 3" long stepped diameter probe with 1½" 16 AMP Tri-Grip™ flange, transmitter ranged from -18 to 93°C (0 to 200°F) with M12 connector.
PRS-H-0600-D1-TM1M12, heavy-duty 6" long stepped diameter probe with 1½" 16 AMP Tri-Grip™ flange, transmitter ranged from -40 to 49°C (-40 to 120°F) with M12 connector.